

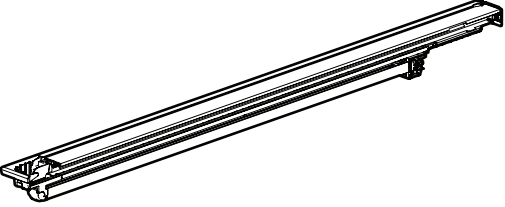
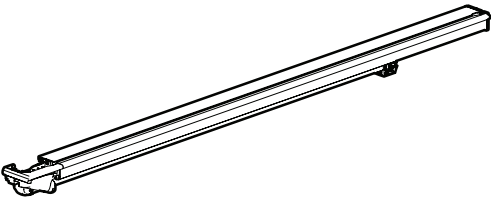
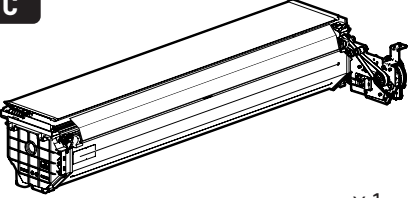

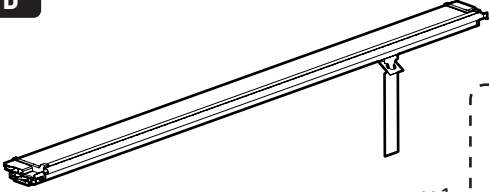

# MOUNTAIN TOP<sup>®</sup> EVOe

Installation manual

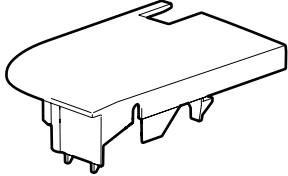
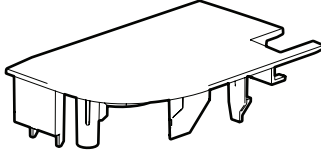


DOWNLOAD PDF

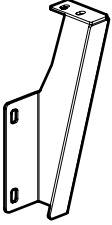
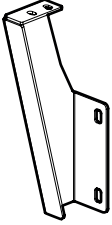


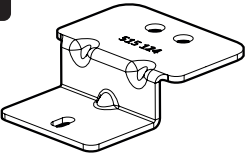
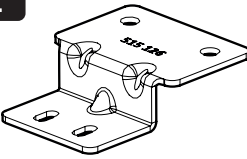
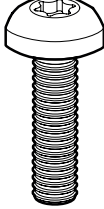
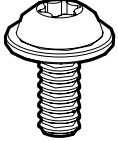
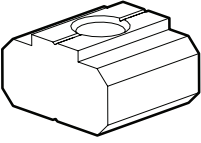
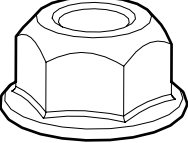
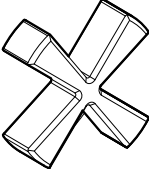
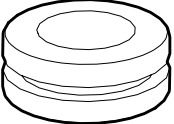
Parts

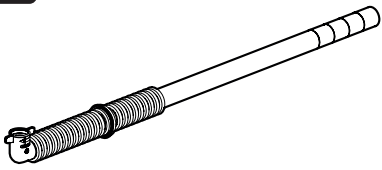
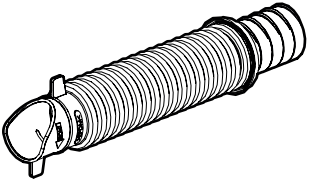
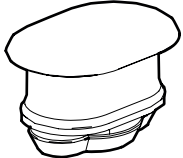

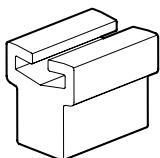
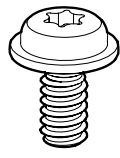
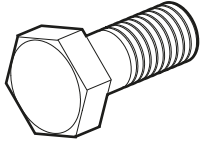
<p><b>A</b></p>  <p>x1</p>	<p><b>B</b></p>  <p>x1</p>
<p><b>C</b></p>  <p>x1</p> <div style="border: 1px dashed black; padding: 2px; display: inline-block;"> <p><b>X2</b></p>  <p>x2</p> </div>	<p><b>D</b></p>  <p>x1</p> <div style="border: 1px dashed black; padding: 2px; display: inline-block;"> <p><b>Y2</b></p>  <p>x1</p> </div>

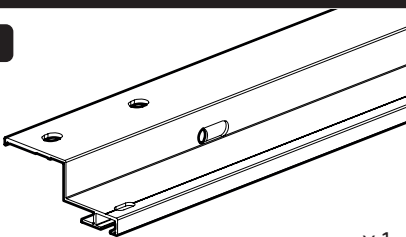
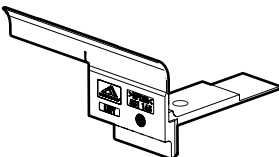
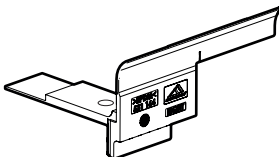
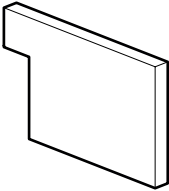
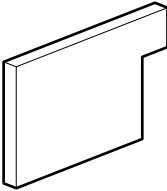
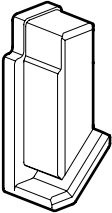
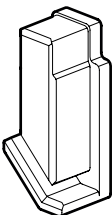
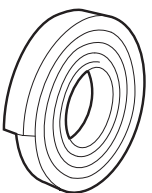
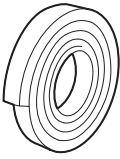
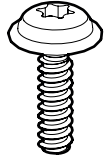
Kit

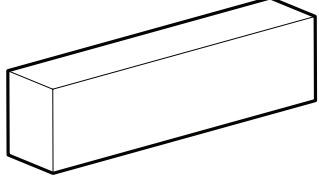
<p><b>E</b></p>  <p>LEFT x1</p>	<p><b>F</b></p>  <p>RIGHT x1</p>
--	--

Kit

<p><b>G</b></p>  <p>x1</p>	<p><b>H</b></p>  <p>x1</p>	<p><b>I</b></p>  <p>x1</p>	<p><b>J</b></p>  <p>x1</p>
<p><b>K</b></p>  <p>Rap Cab: x 0 Double Cab: x 2</p>	<p><b>L</b></p>  <p>Rap Cab: x 4 Double Cab: x 2</p>	<p><b>M</b></p>  <p>M8x30 x 18</p>	<p><b>N</b></p>  <p>Rap Cab: x 16 Double Cab: x 14</p> <p>M6x12</p>
<p><b>O</b></p>  <p>x6</p>	<p><b>P</b></p>  <p>x6</p>	<p><b>Q</b></p>  <p>x2</p>	<p><b>R</b></p>  <p>x1</p>

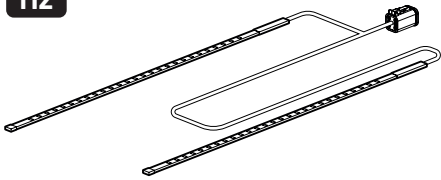
Kit			
<b>S</b>  x2	<b>T</b>  x2	<b>U</b>  x2	
<b>V</b>  M6x30 x2	<b>W</b>  Rap Cab: x 7 Double Cab: x 5	<b>X</b>  M6x16 Rap Cab: x 6 Double Cab: x 4	<b>Y</b>  M6x14 x1

Kit			
<b>A2</b>  x1	<b>B2</b>  x1	<b>C2</b>  x1	
<b>D2</b>  x1	<b>E2</b>  x1	<b>F2</b>  x1	
<b>G2</b>  x1	<b>H2</b>  6x25mm x2	<b>I2</b>  6x10mm x1	<b>J2</b>  M5x14 x2

Kit
<b>K2</b>  20x25x100mm x2

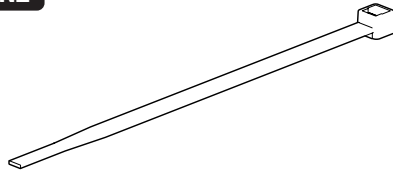
LED Kit

M2



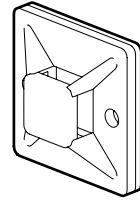
x1

N2



x6

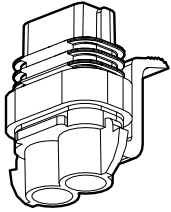
O2



x6

Power supply kit

P2



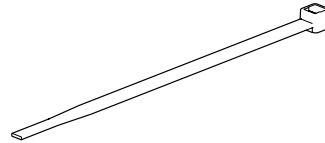
x1

Q2



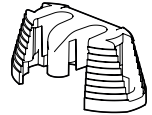
x1

R2



x16

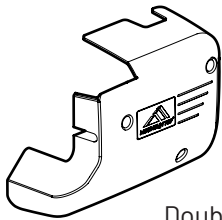
S2



x1

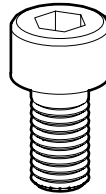
Kit

T2



Double Cab: x1

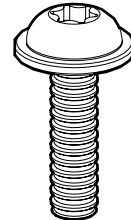
U2



M5x10

Double Cab: x3

V2

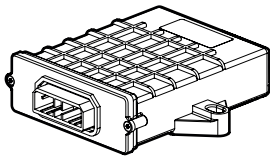


M6x20

x2

Kit

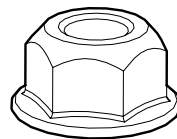
W2



x1

Kit

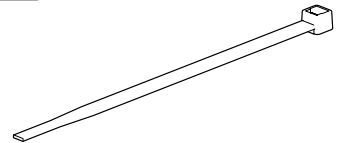
Z2



M6

x2

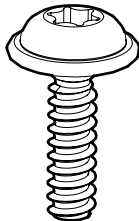
Z3



x10

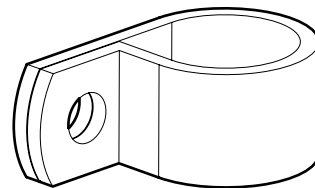
Kit for Rap Cap

A3



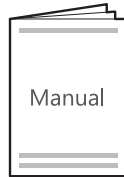
x2

B3



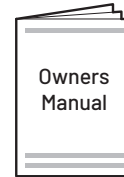
x2

Kit



Manual

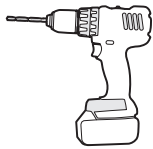
x1



Owners  
Manual

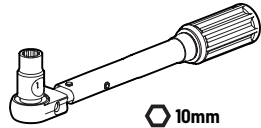
x1

Tools needed



Ø3.5 + Ø10 MM

1 - 25 Nm

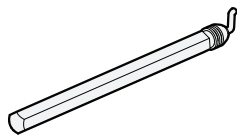
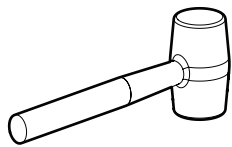


10mm

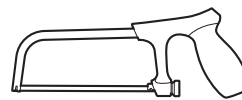
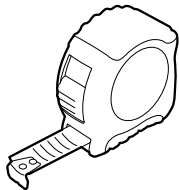
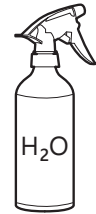
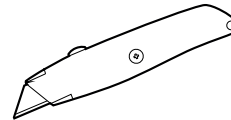
T20, T30, T40



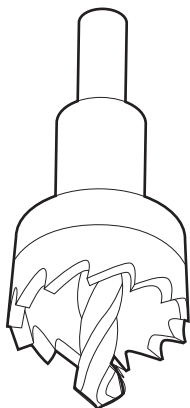
Rust protection  
Rostschutzmittel  
Anti-rouille  
Anti roest



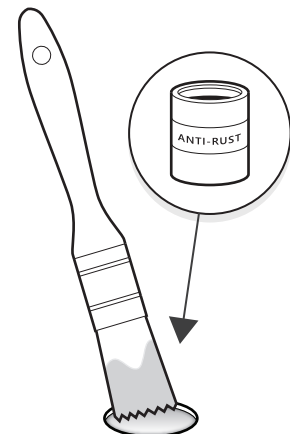
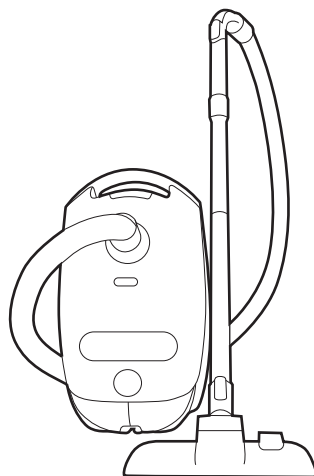
Silicone (RTV)



Applying rust protection



Ø18 / Ø30 / Ø40 mm





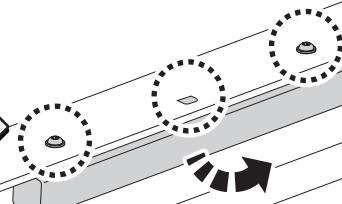
**If sheet metal is scratched during installation,  
apply rust protection to damaged areas**

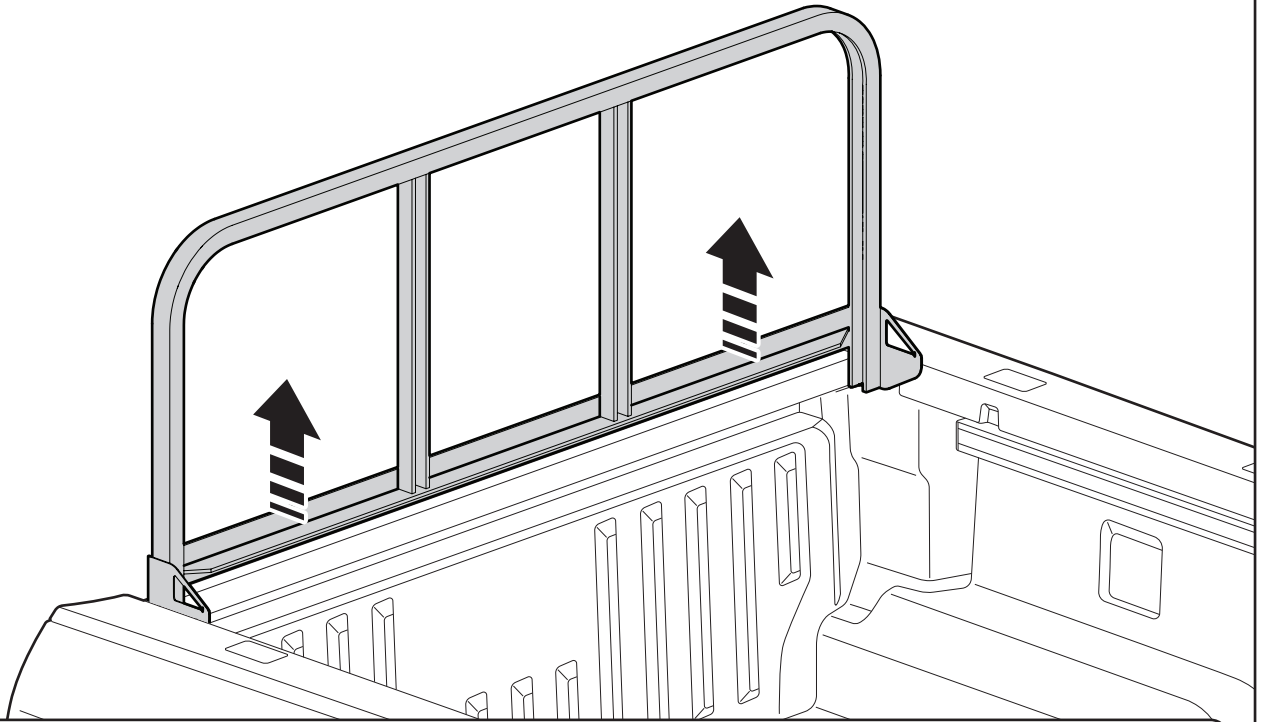


**Tie must not be attached to AC lines  
(AC lines are the metal pipes in the engine bay)**

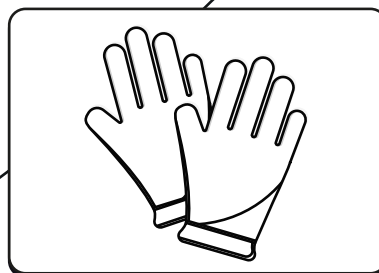


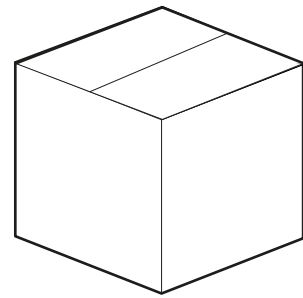
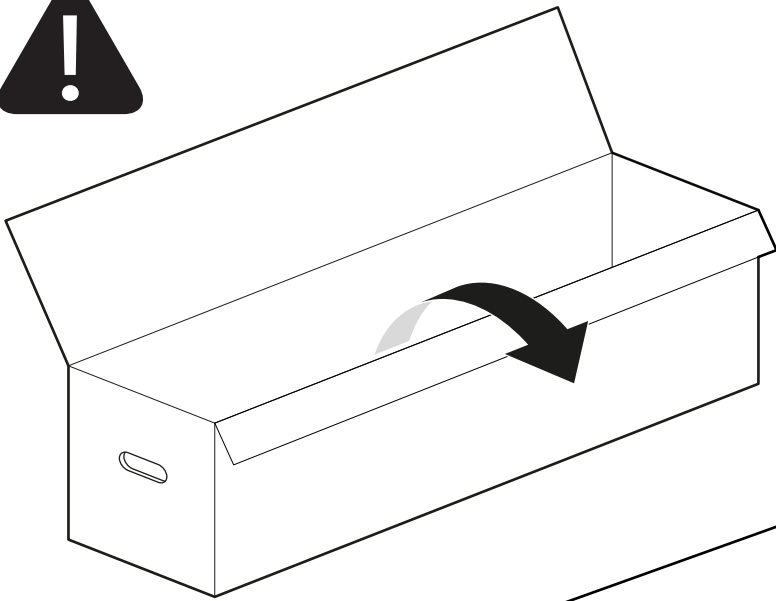
**Remove mass damper on tub  
headboard prior to installing  
Rollershutter (only applicable to  
RAP CAB Variants)**



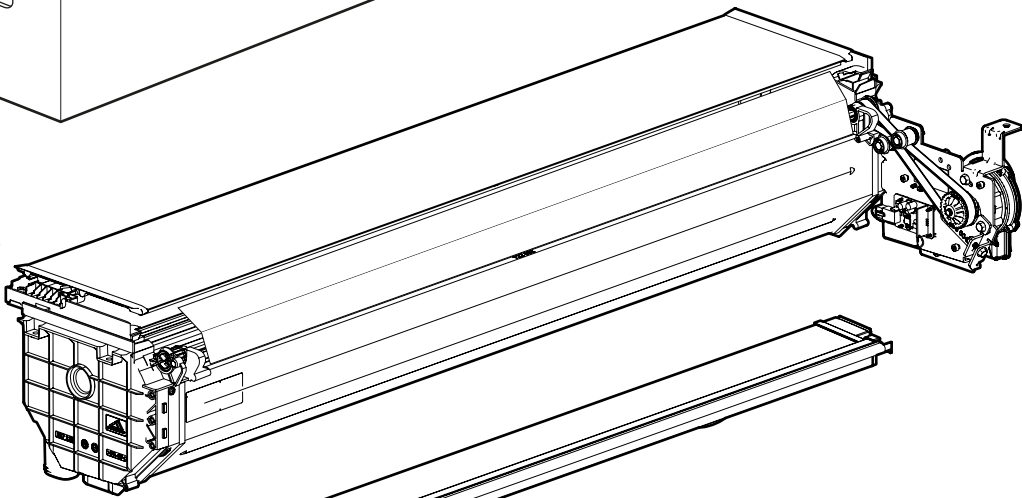


**Rollershutter not compatible with load rest bar - part cannot be re-installed once Rollershutter have been installed (store parts)**

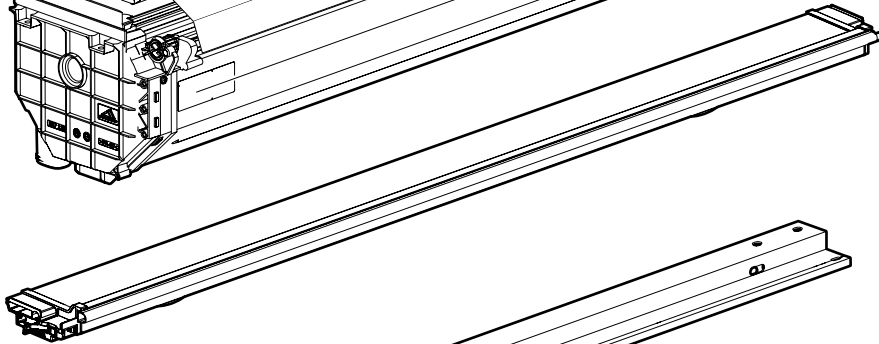




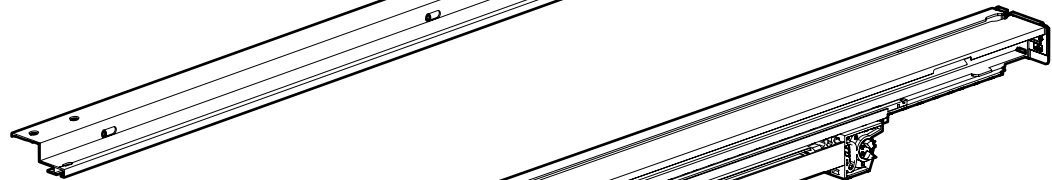
**C**



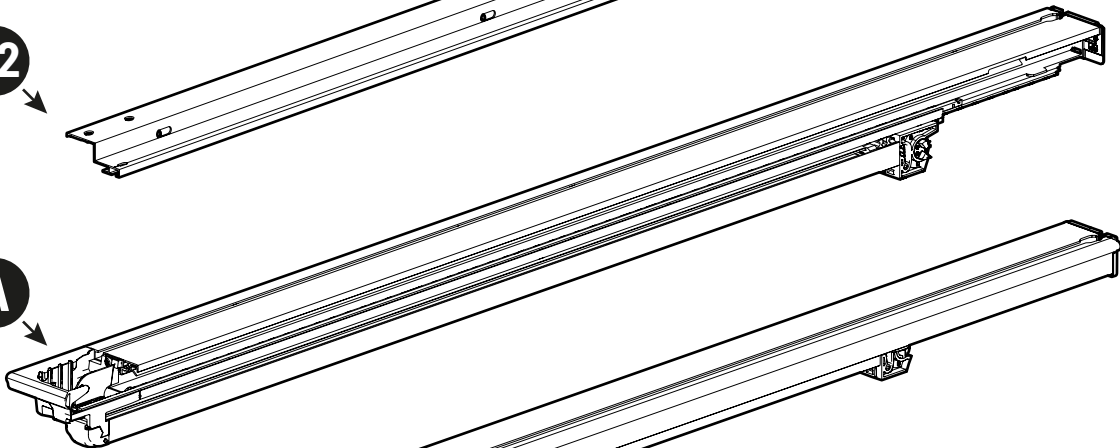
**D**



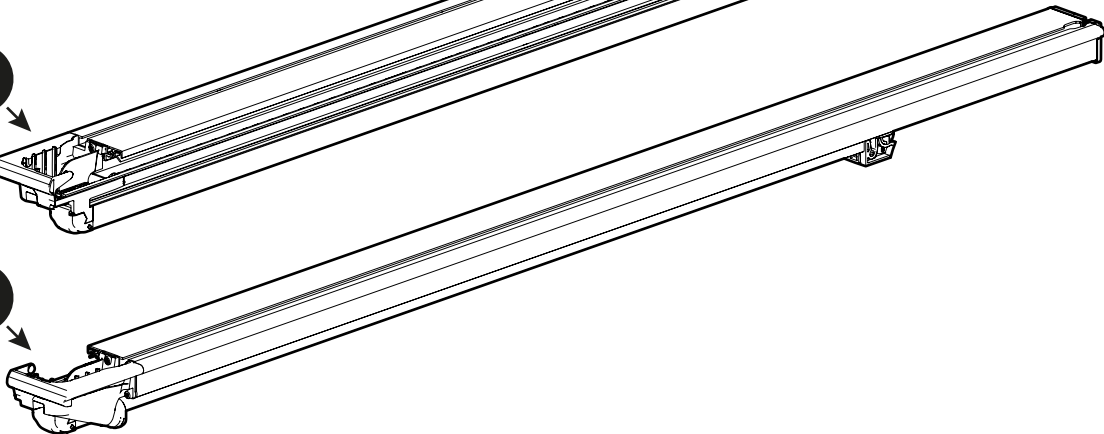
**A2**



**A**

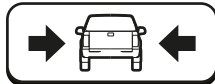


**B**

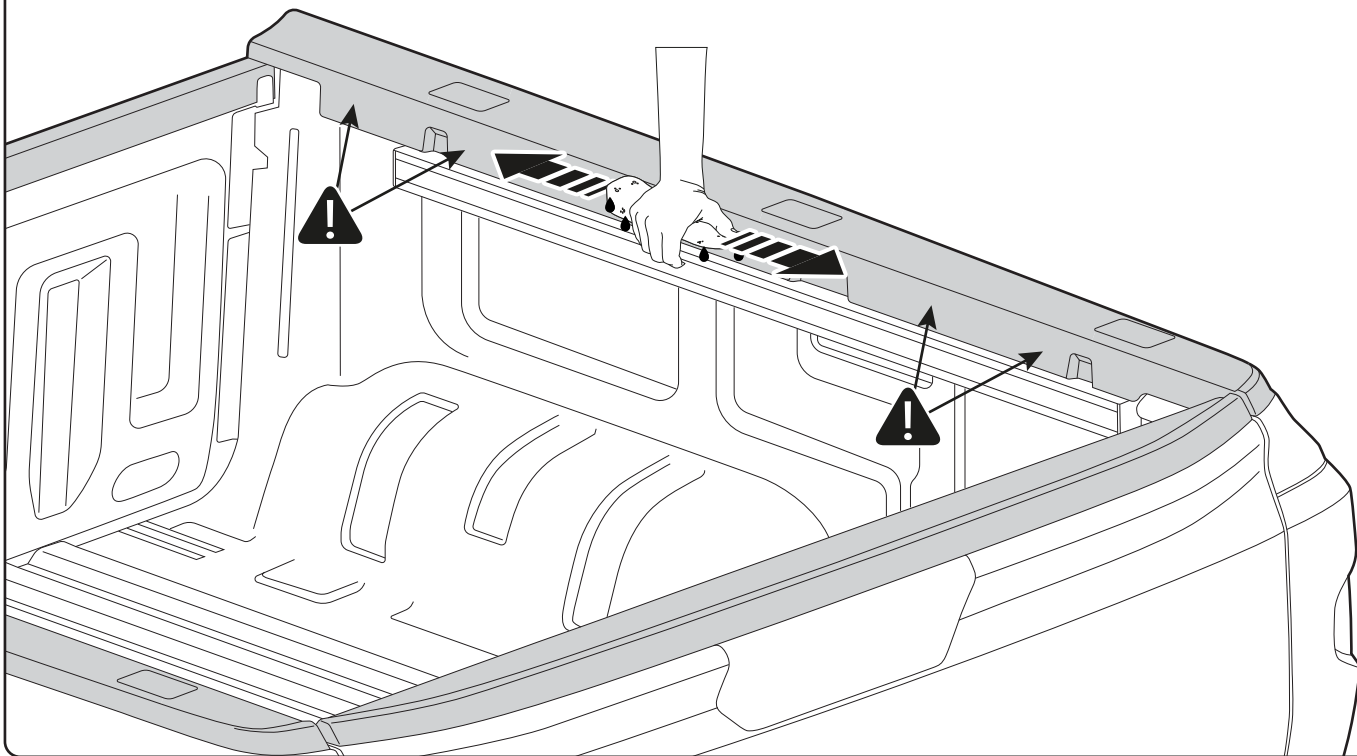




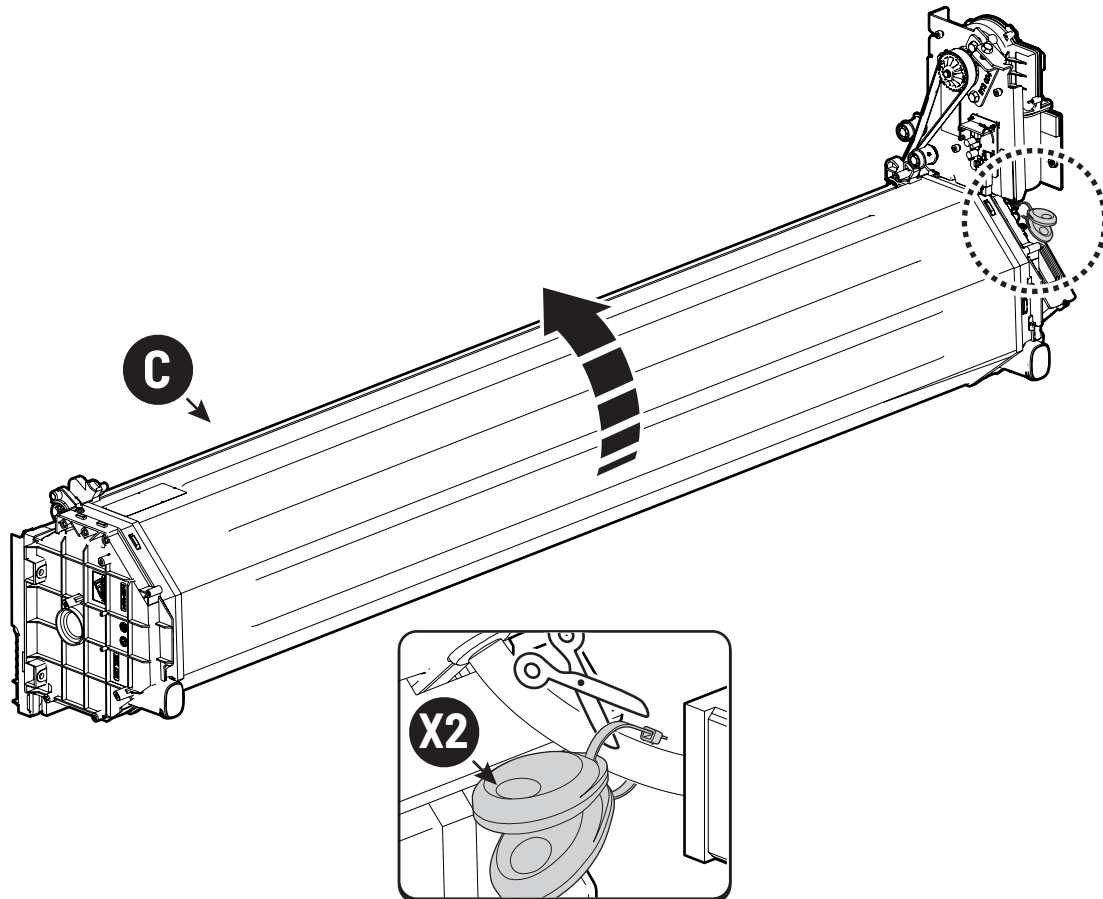
 Water & sponge

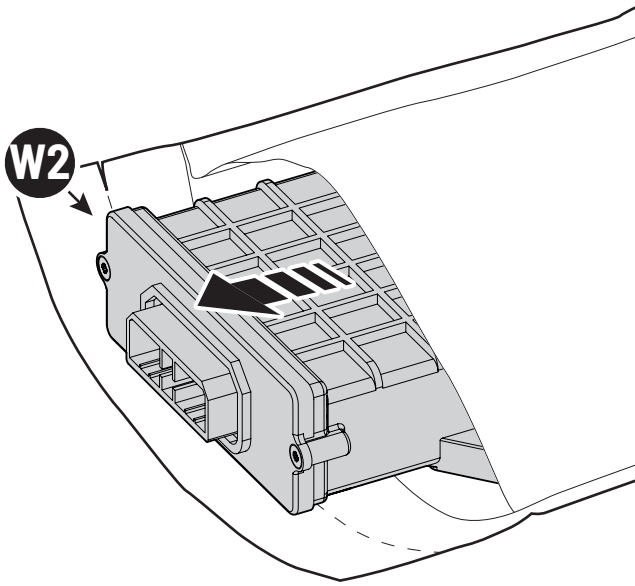


2

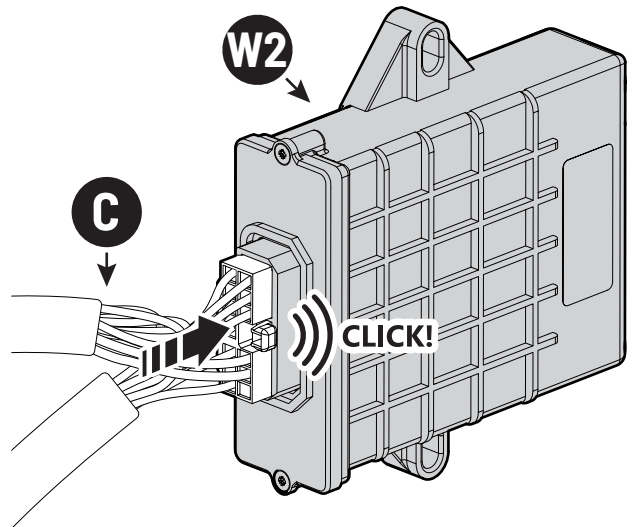


3





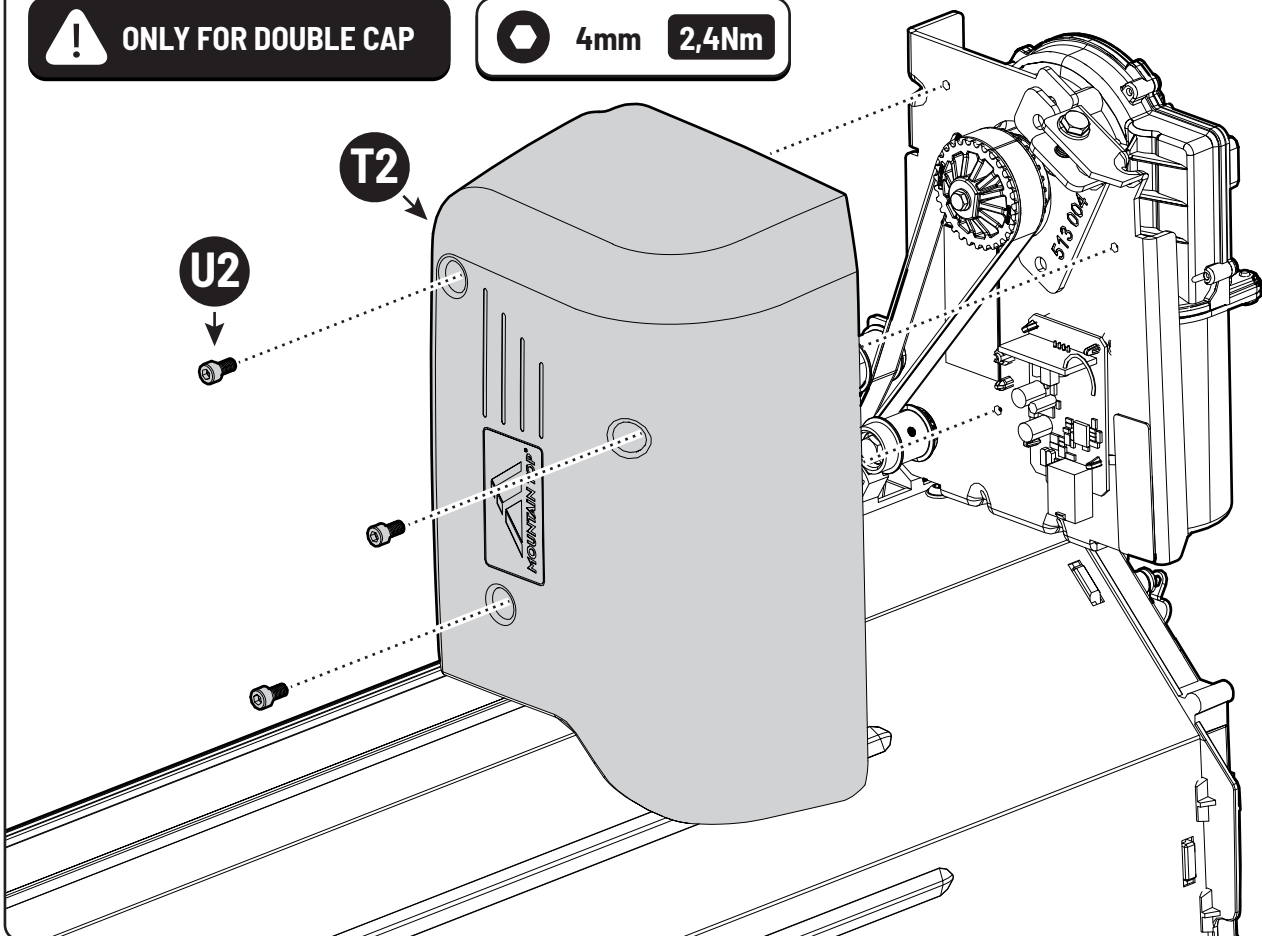
1

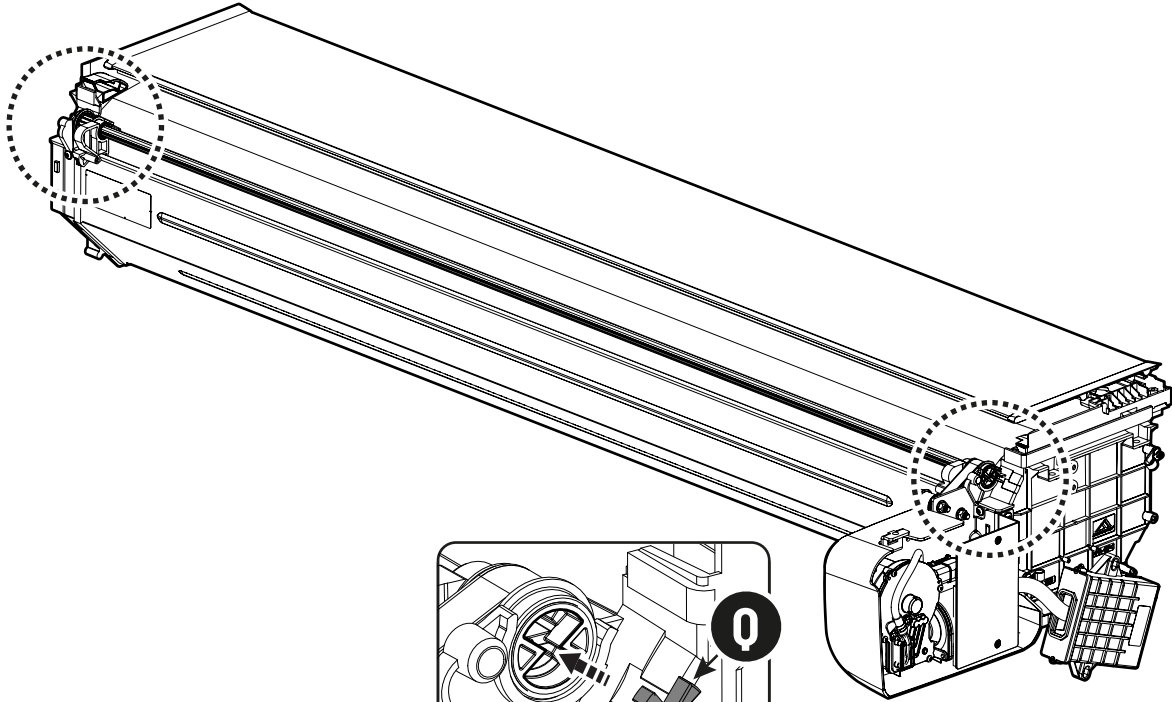


2

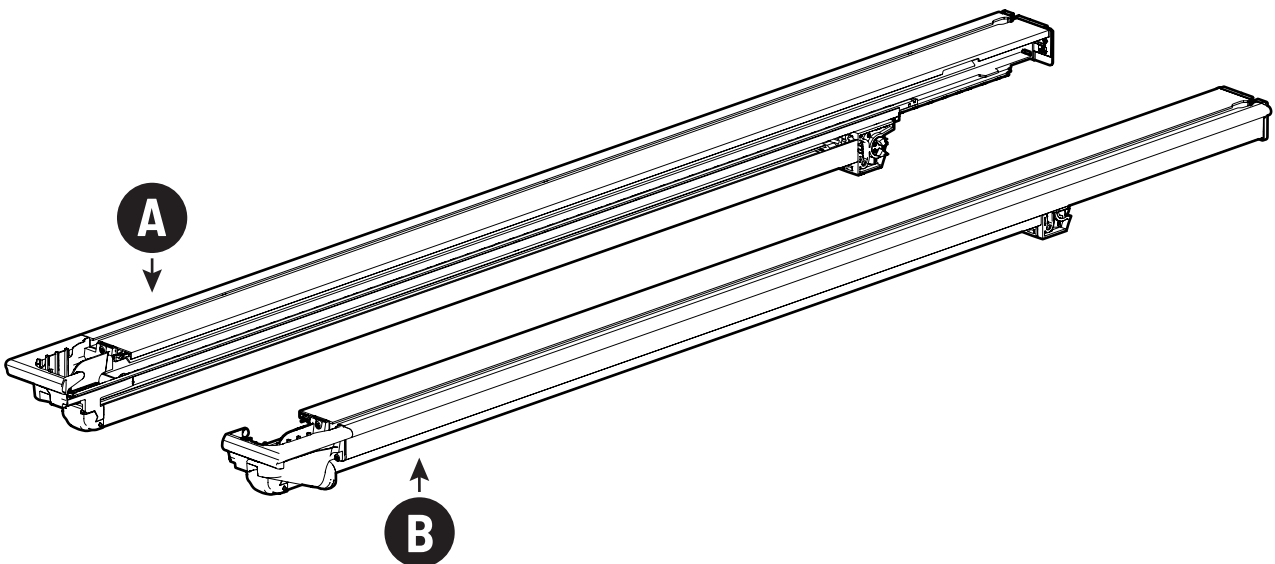
**!** ONLY FOR DOUBLE CAP

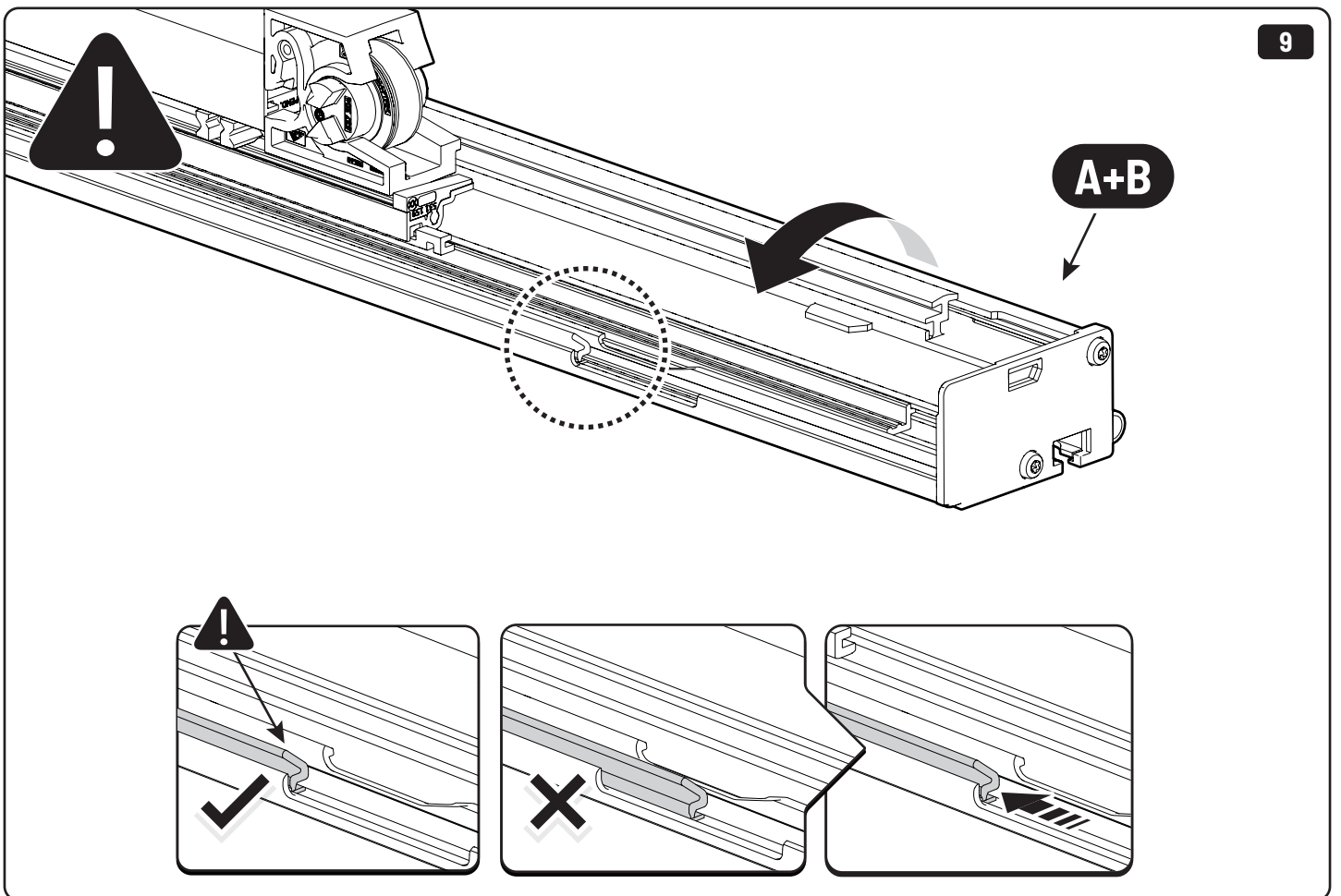
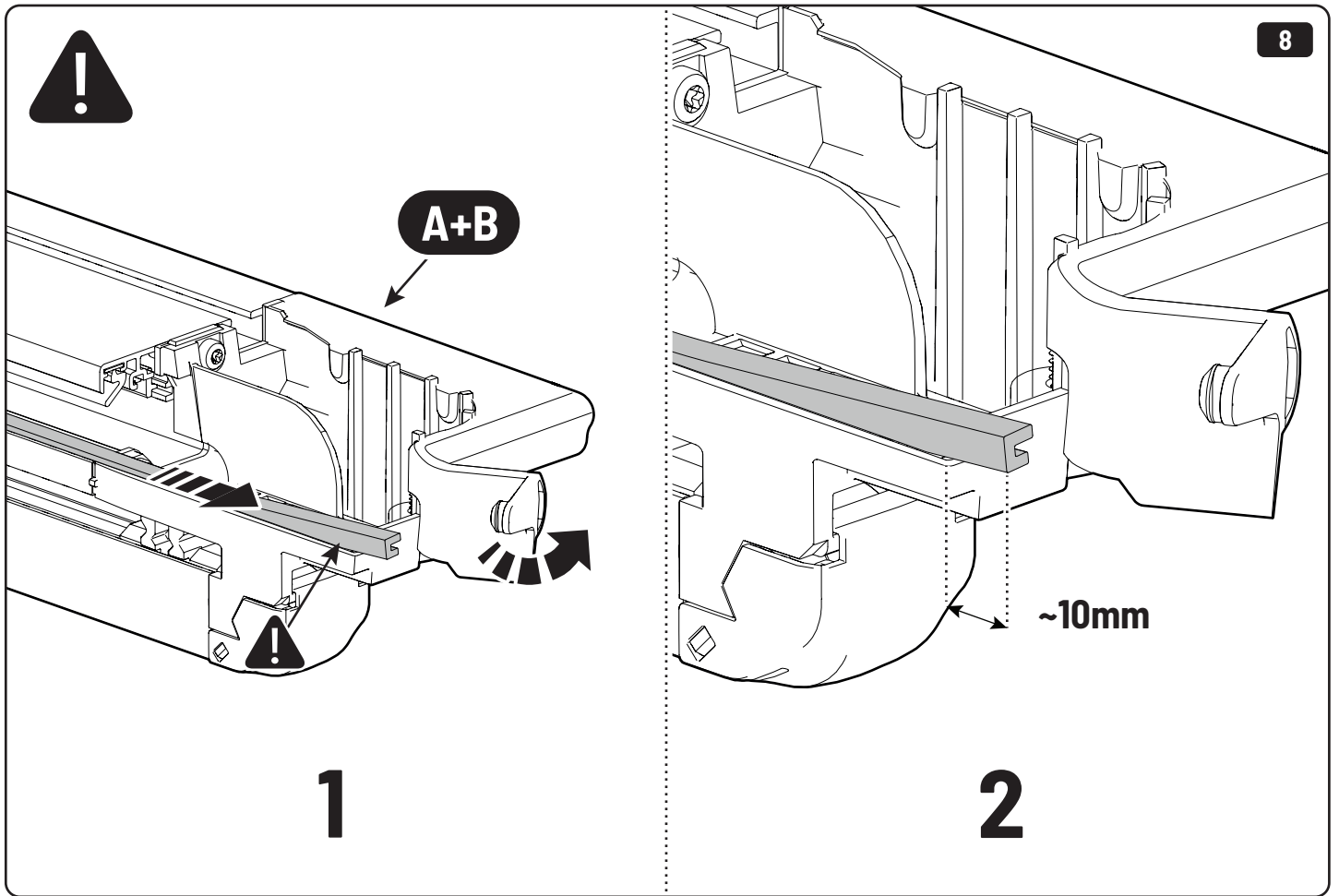
**4mm** **2,4Nm**



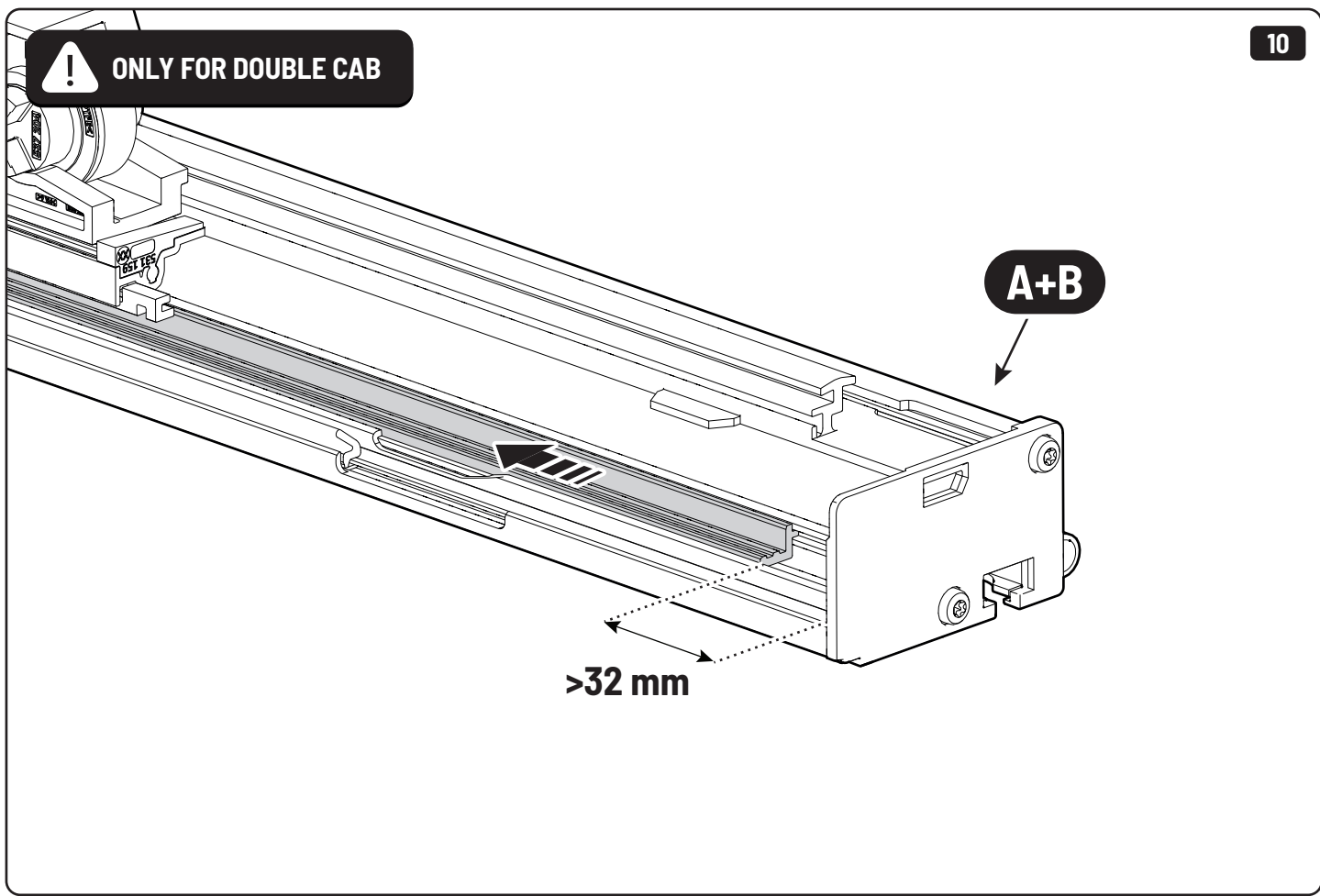


x2

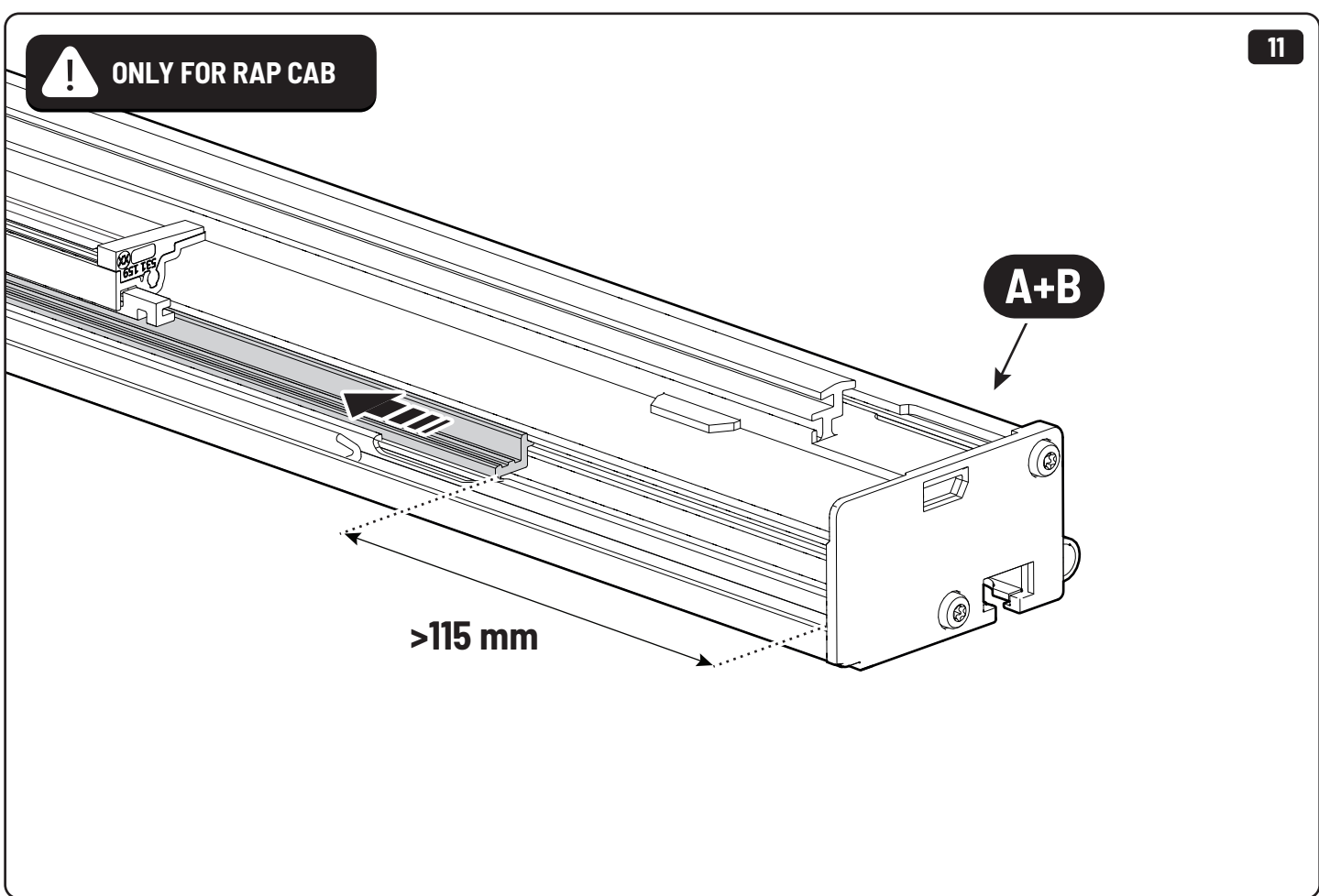




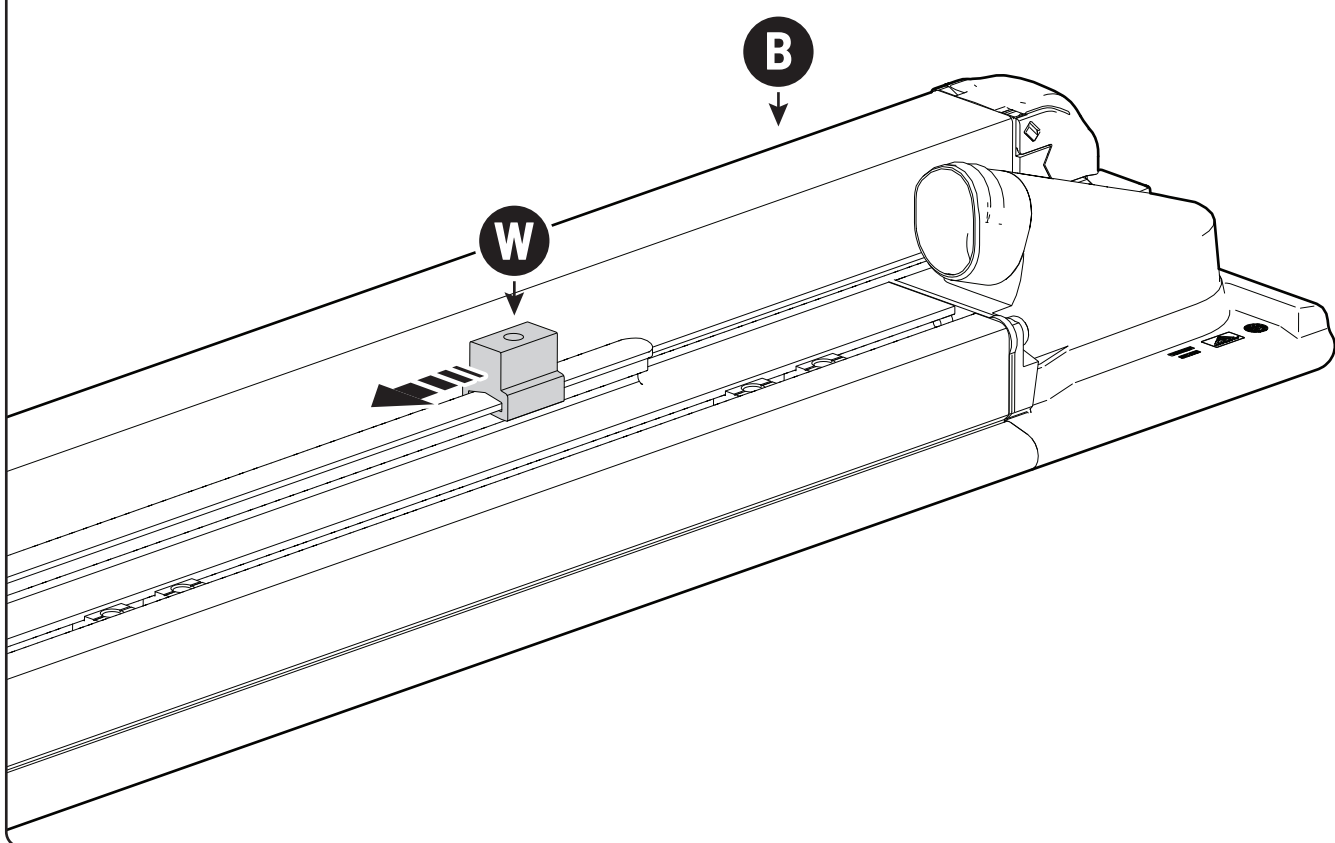
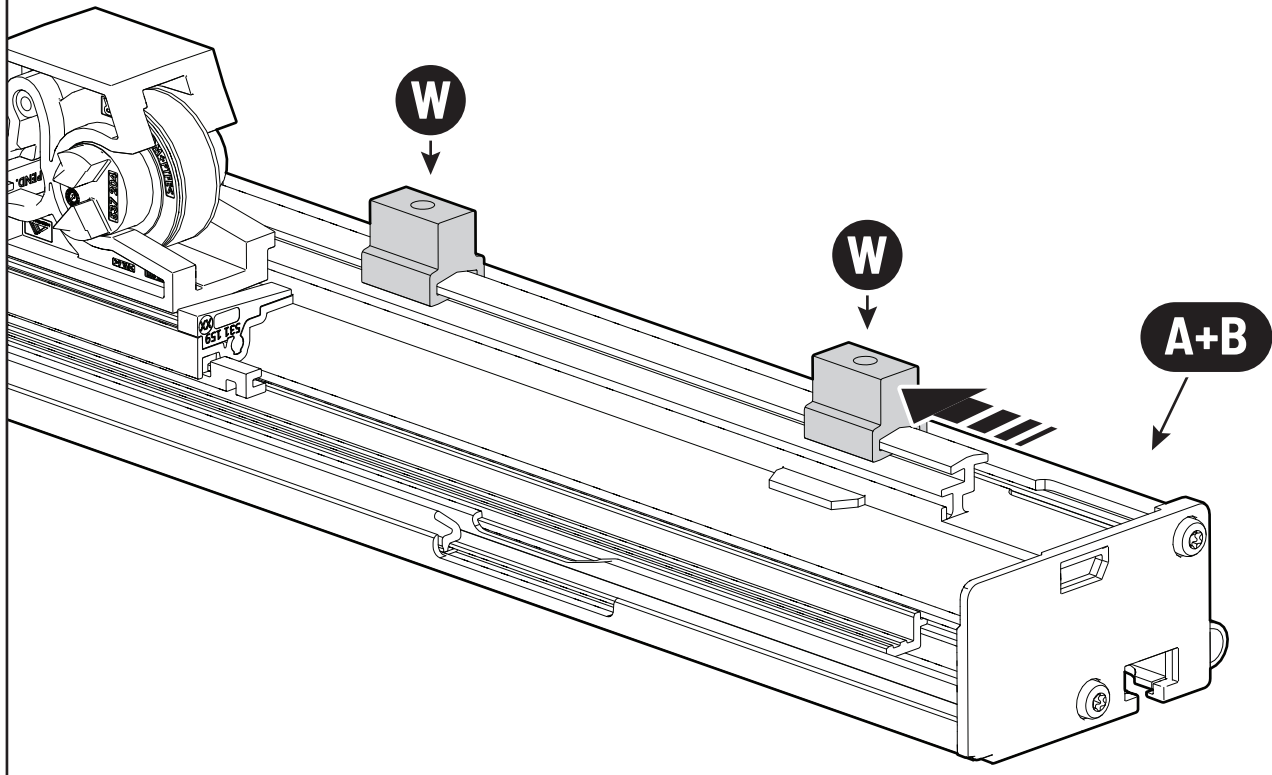
**!** ONLY FOR DOUBLE CAB

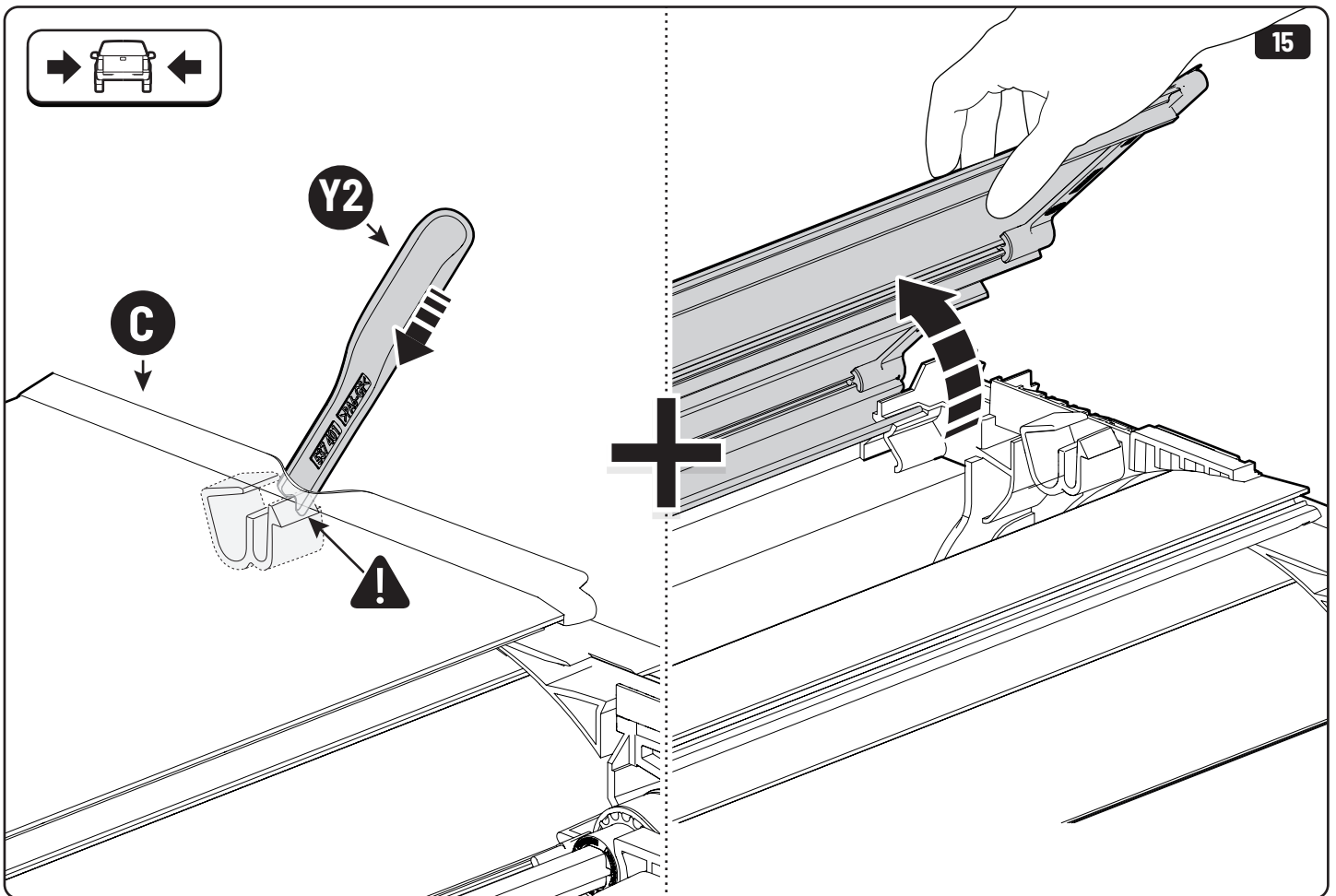
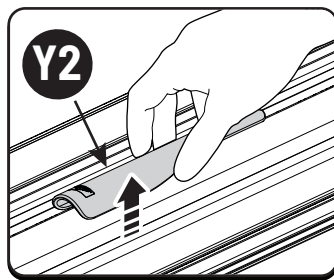
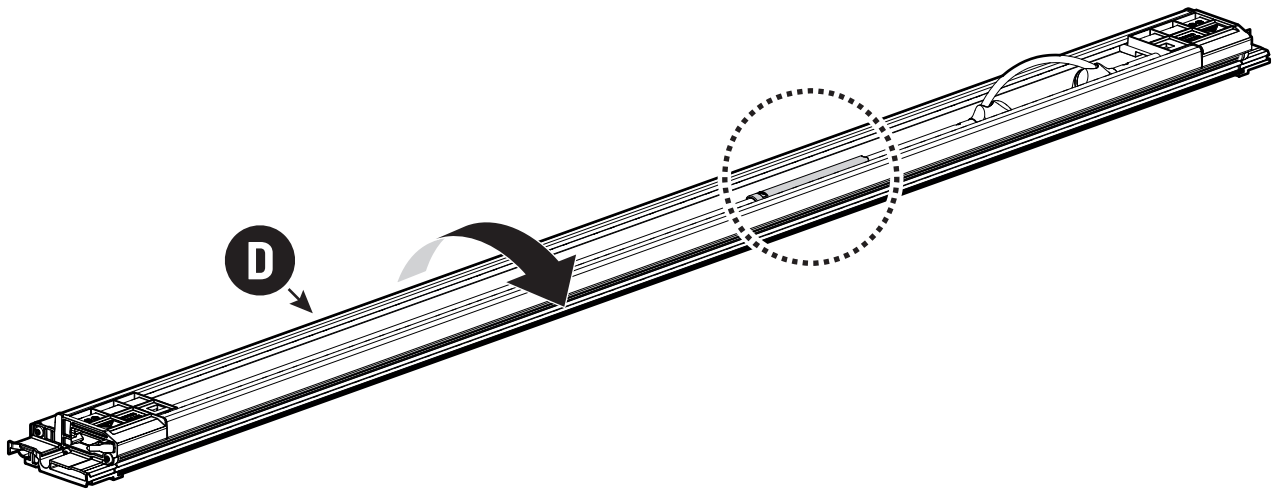


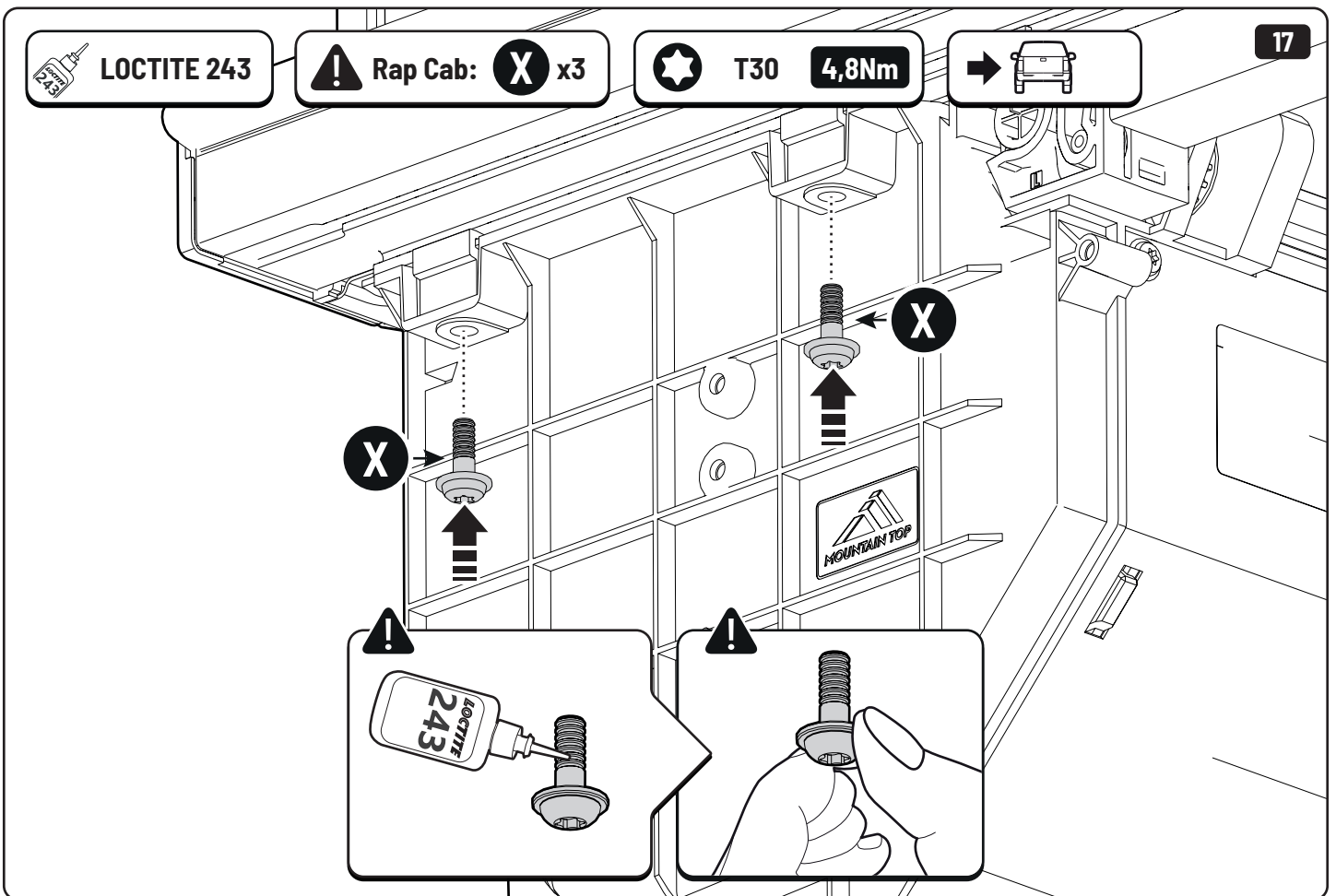
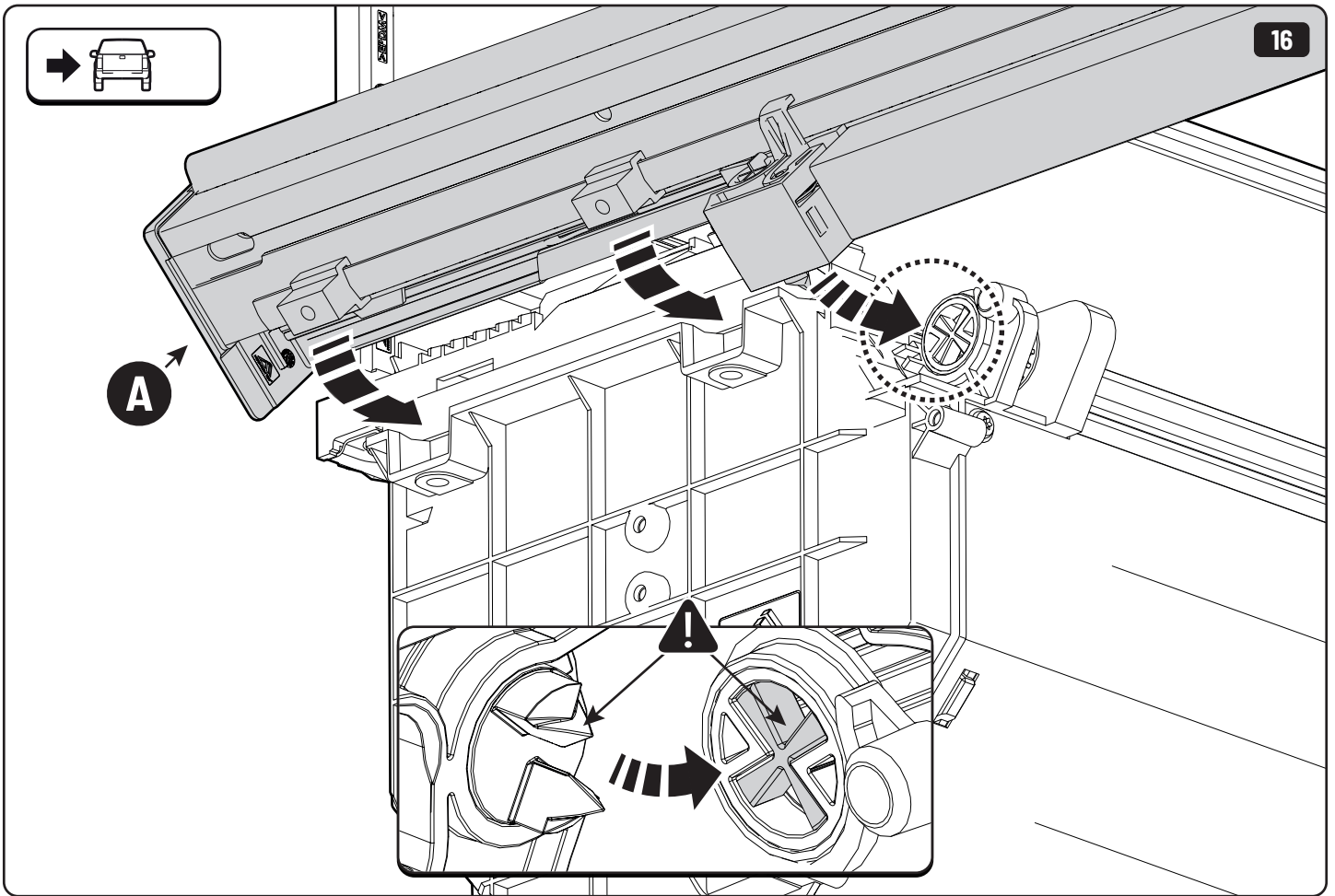
**!** ONLY FOR RAP CAB



! Rap Cab: **W** x3



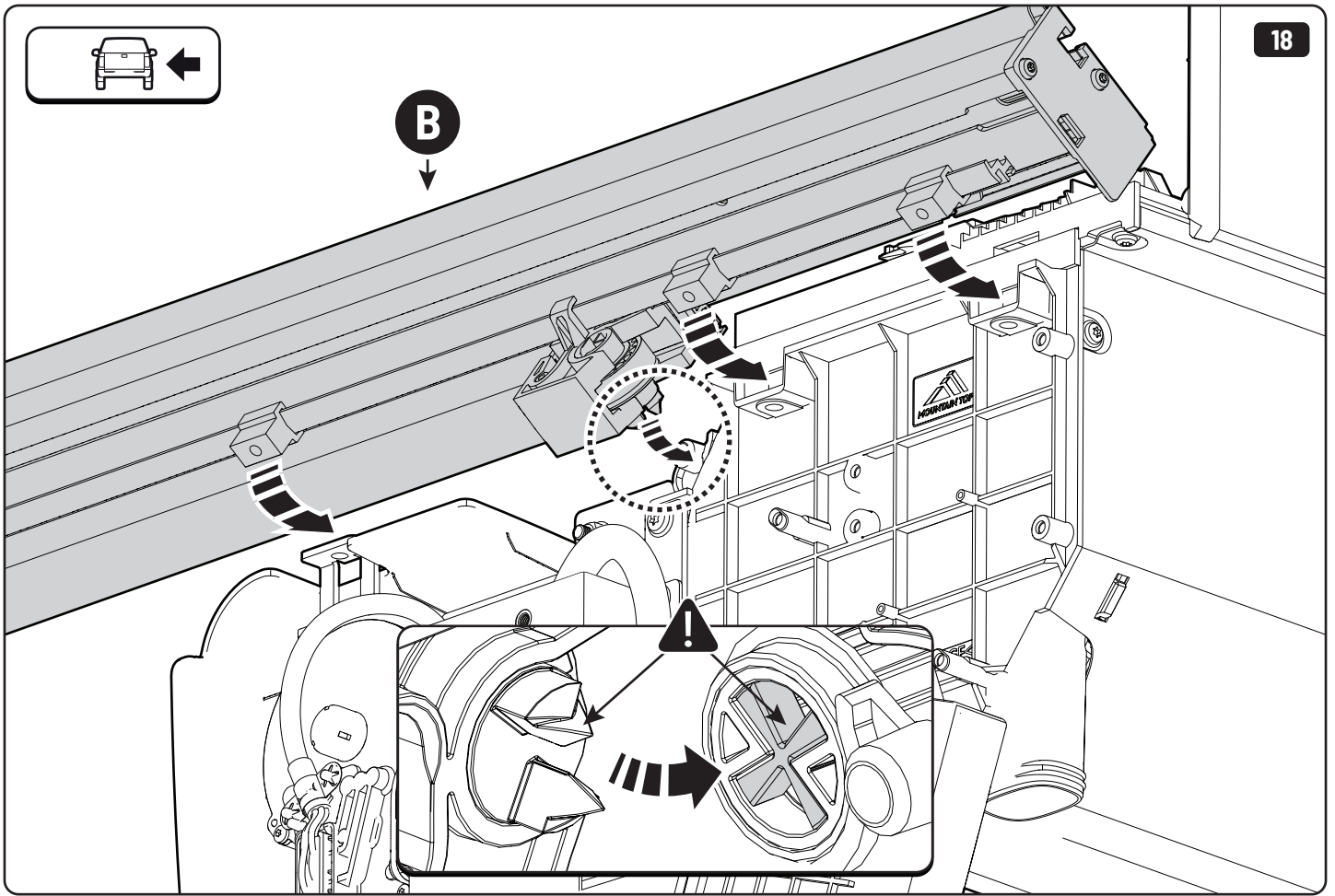




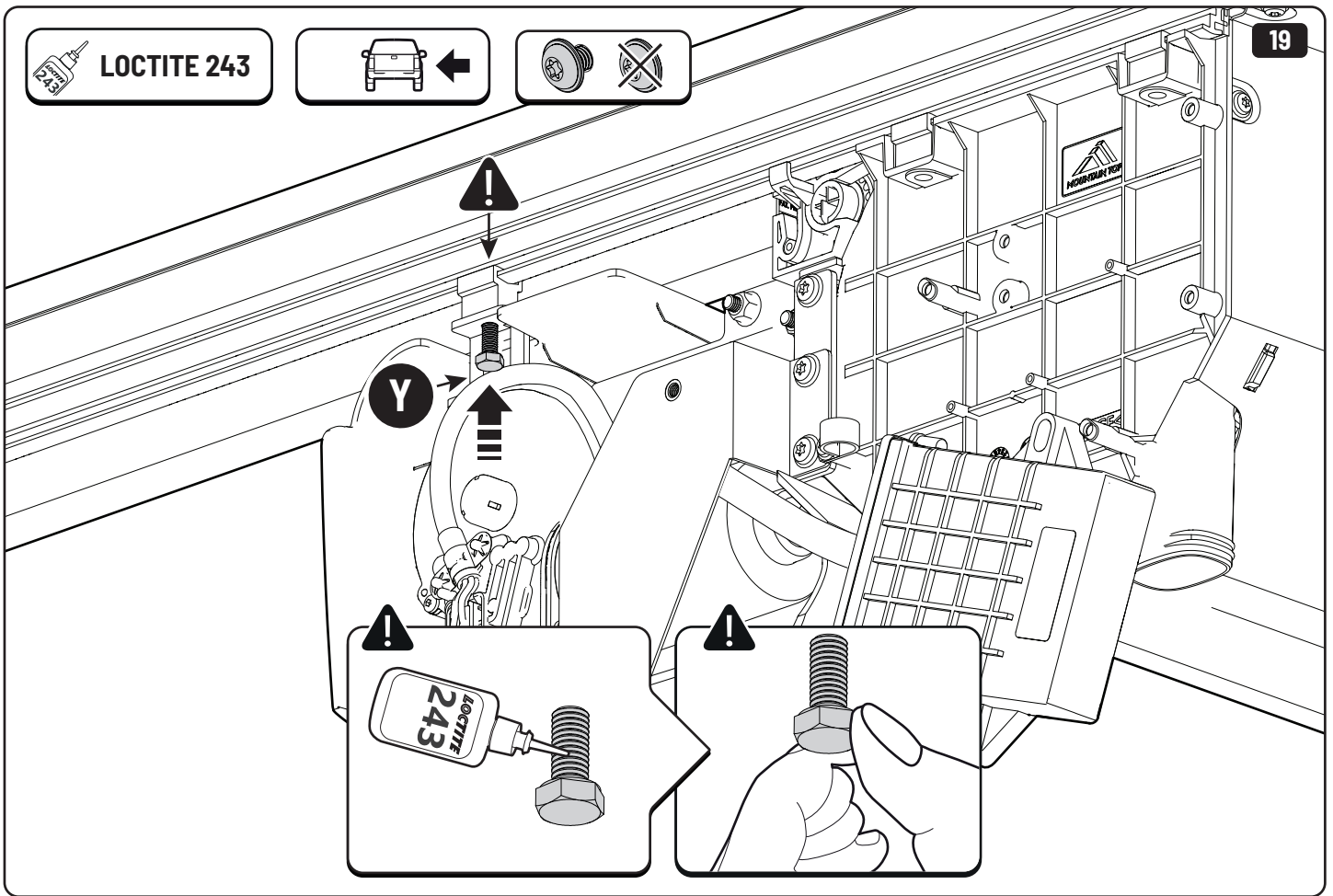


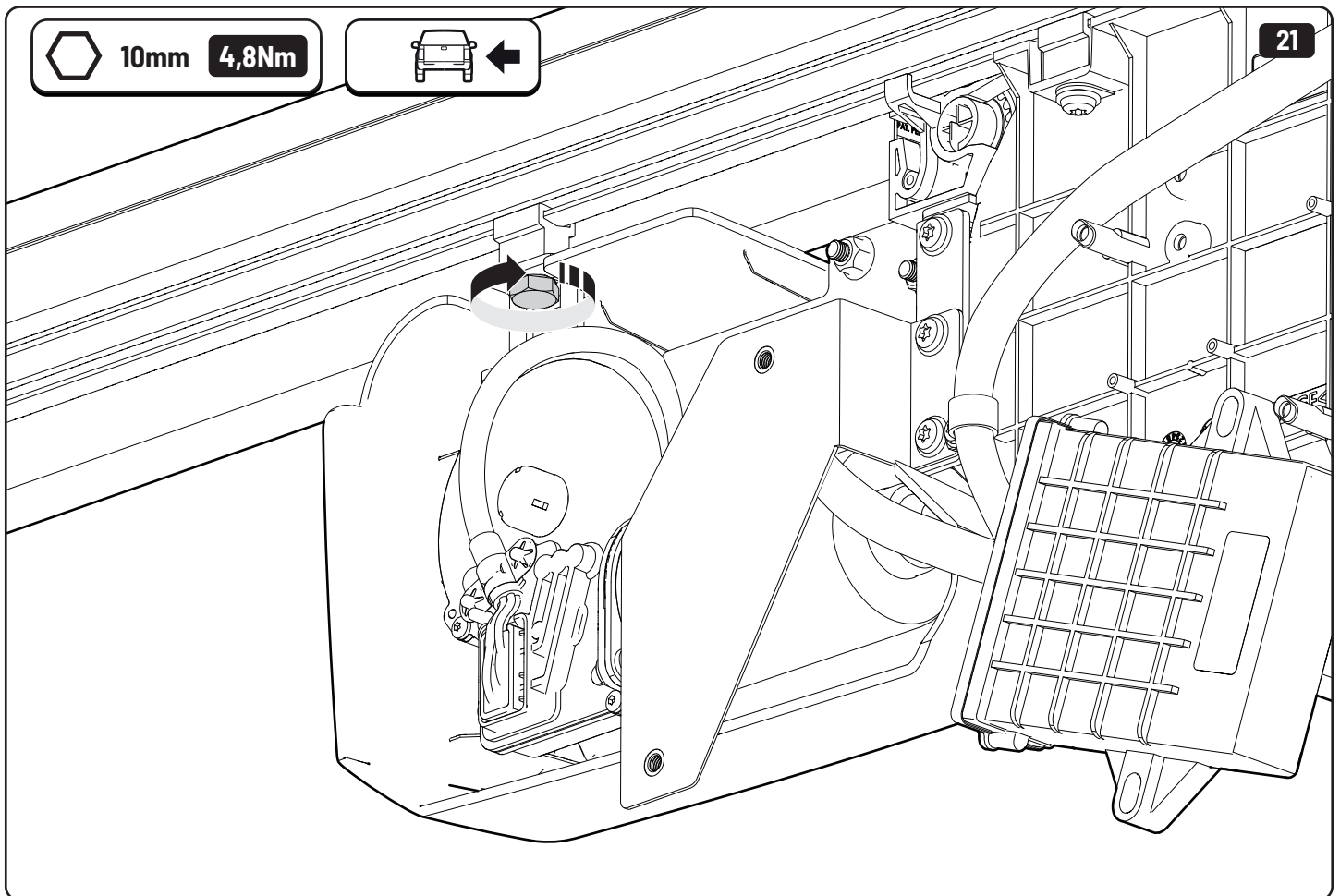
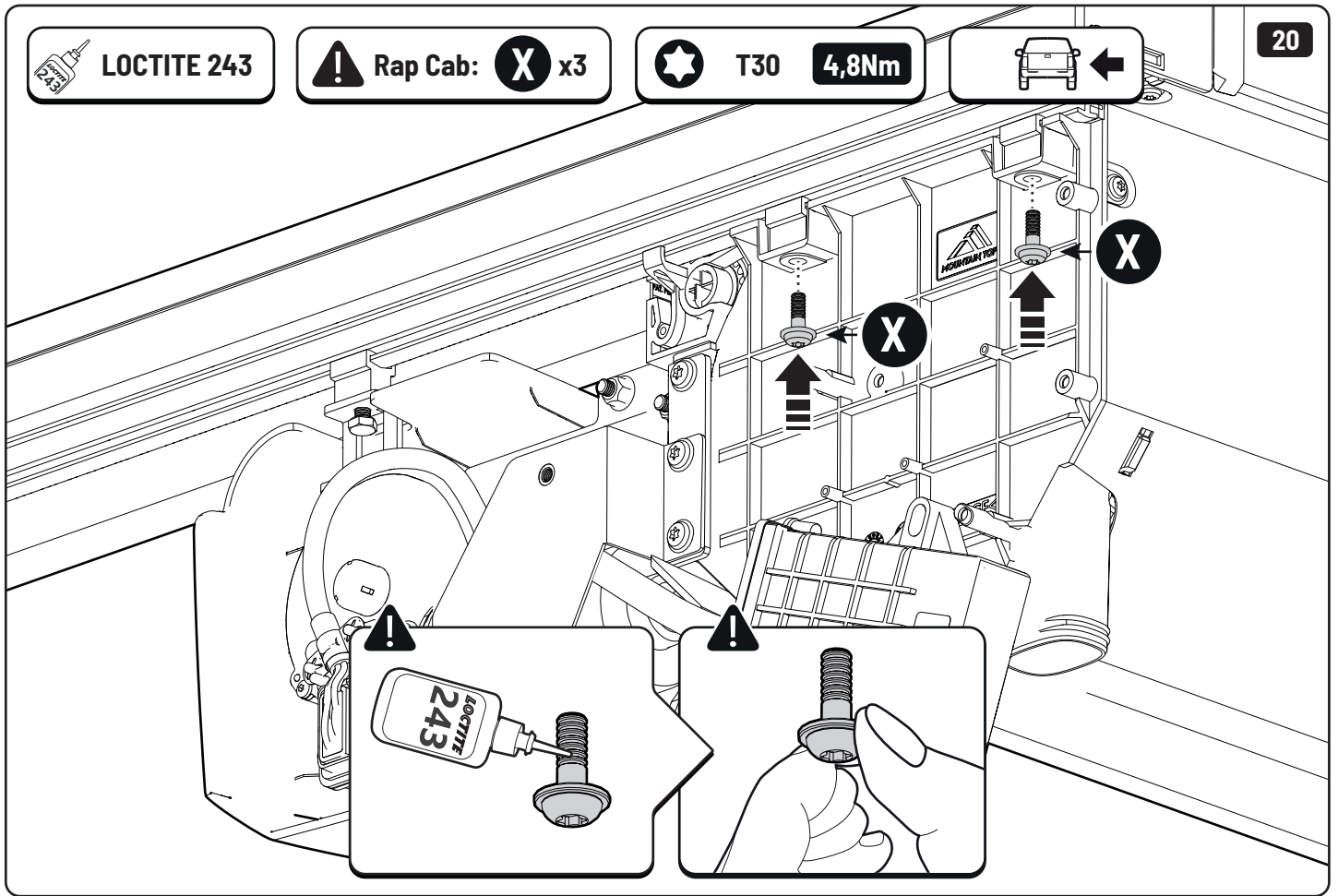


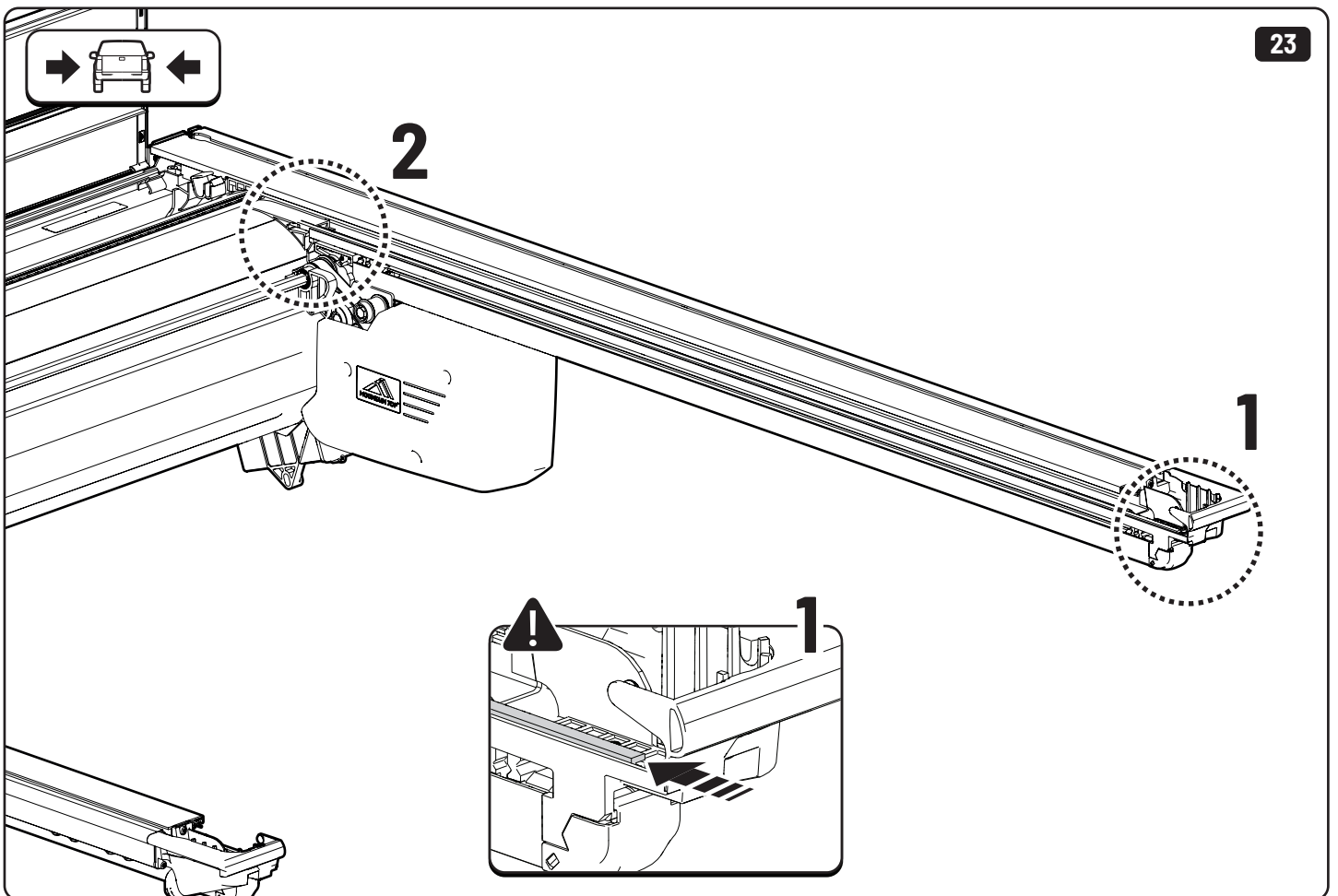
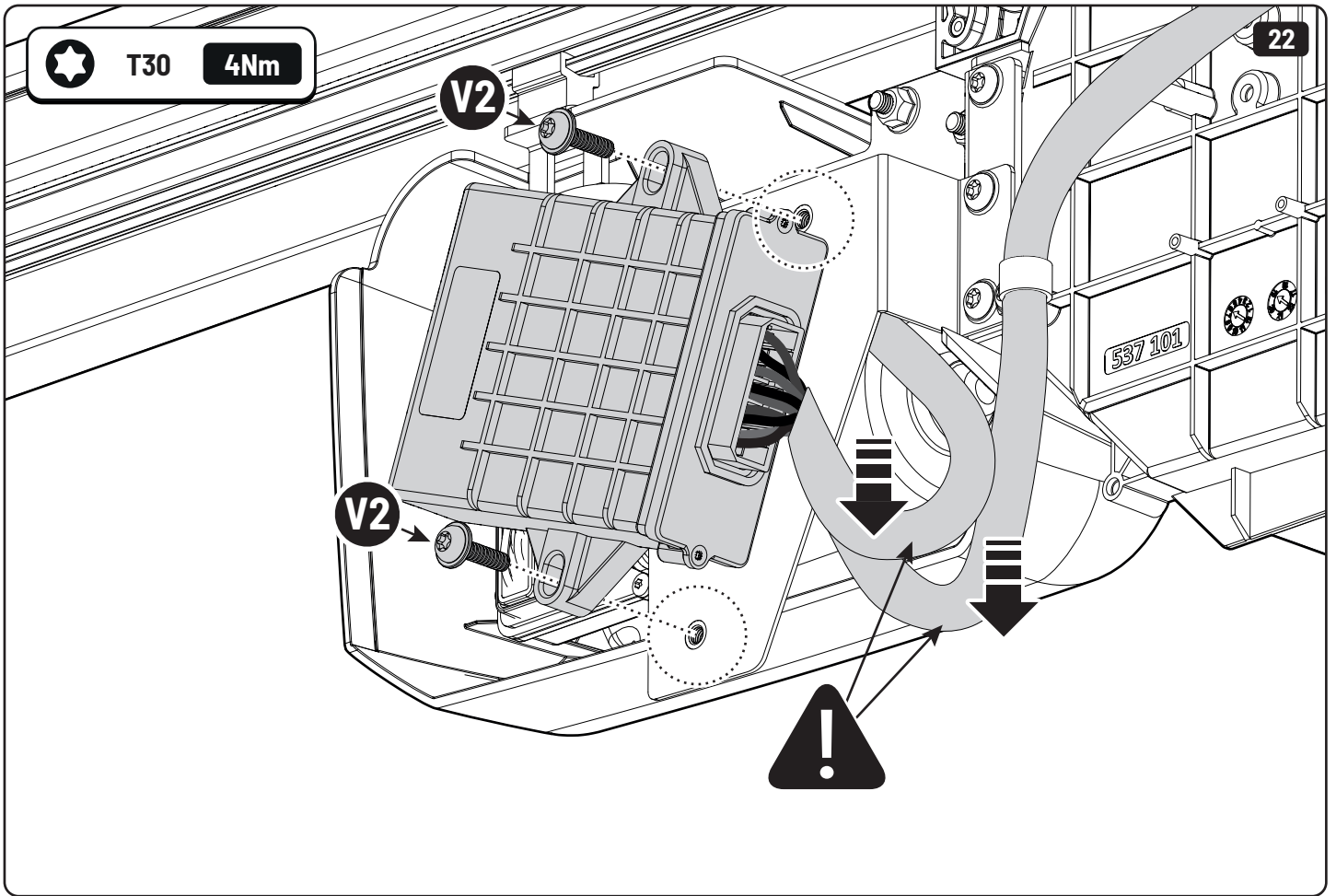
**B**  
↓

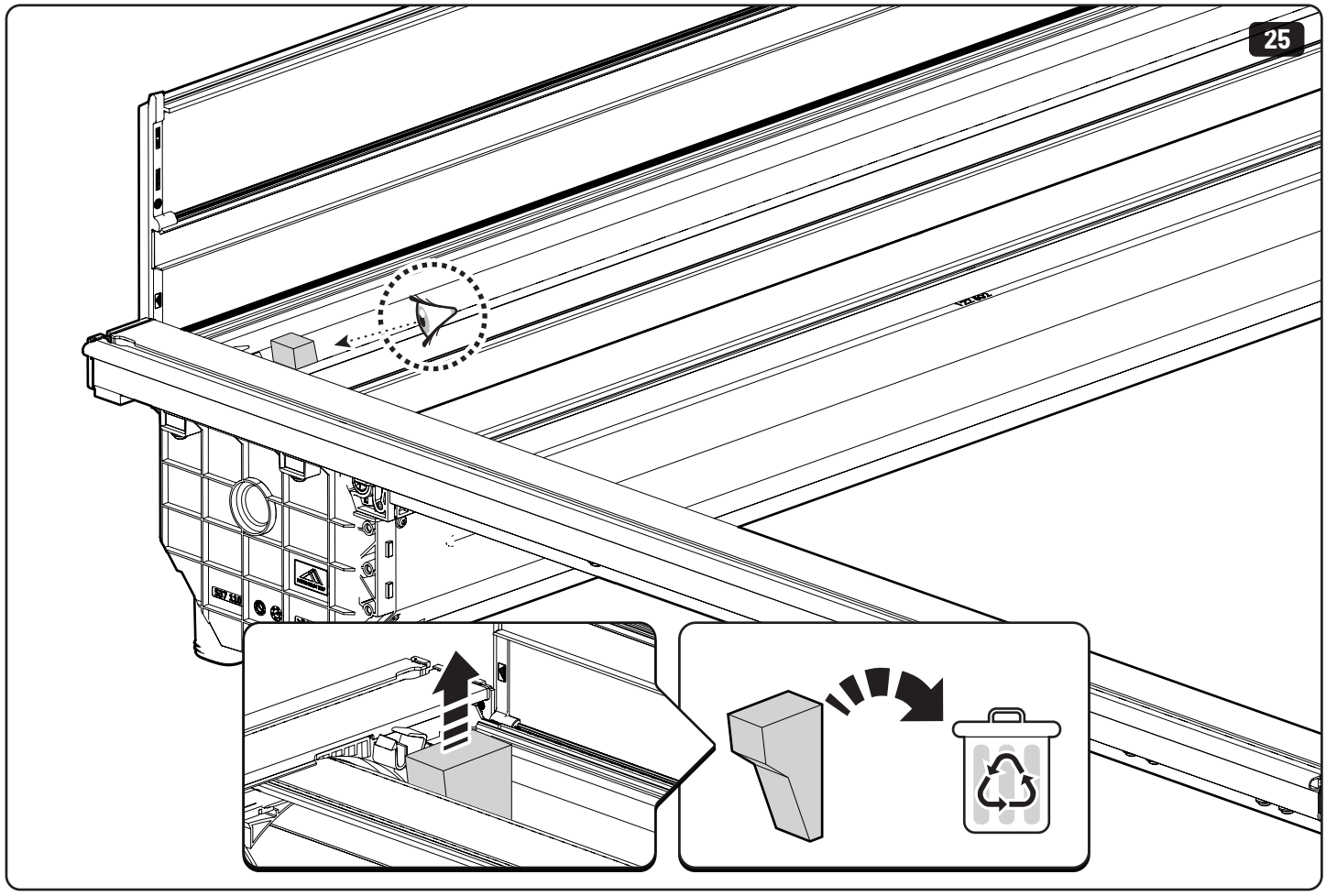
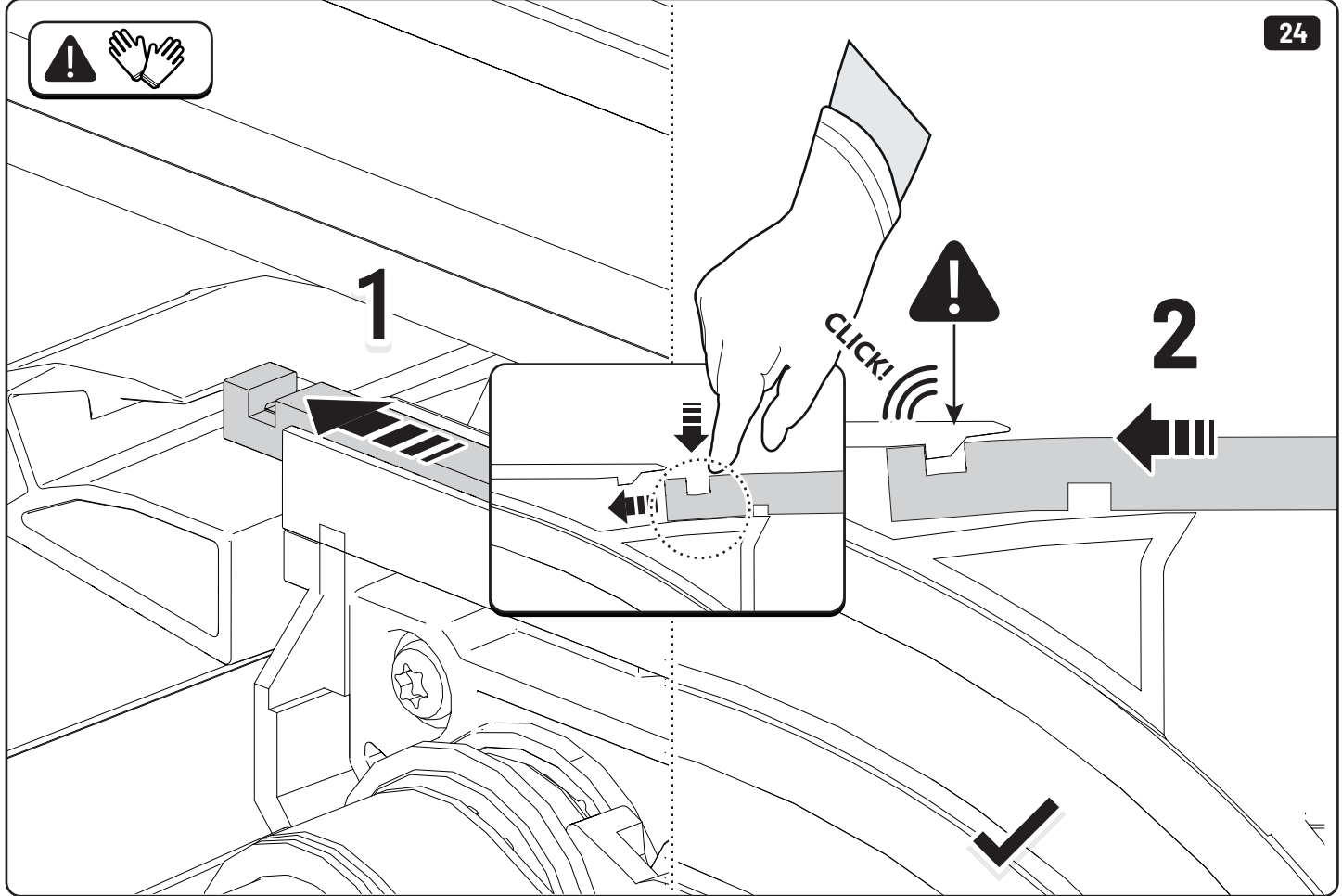


**LOCTITE 243**



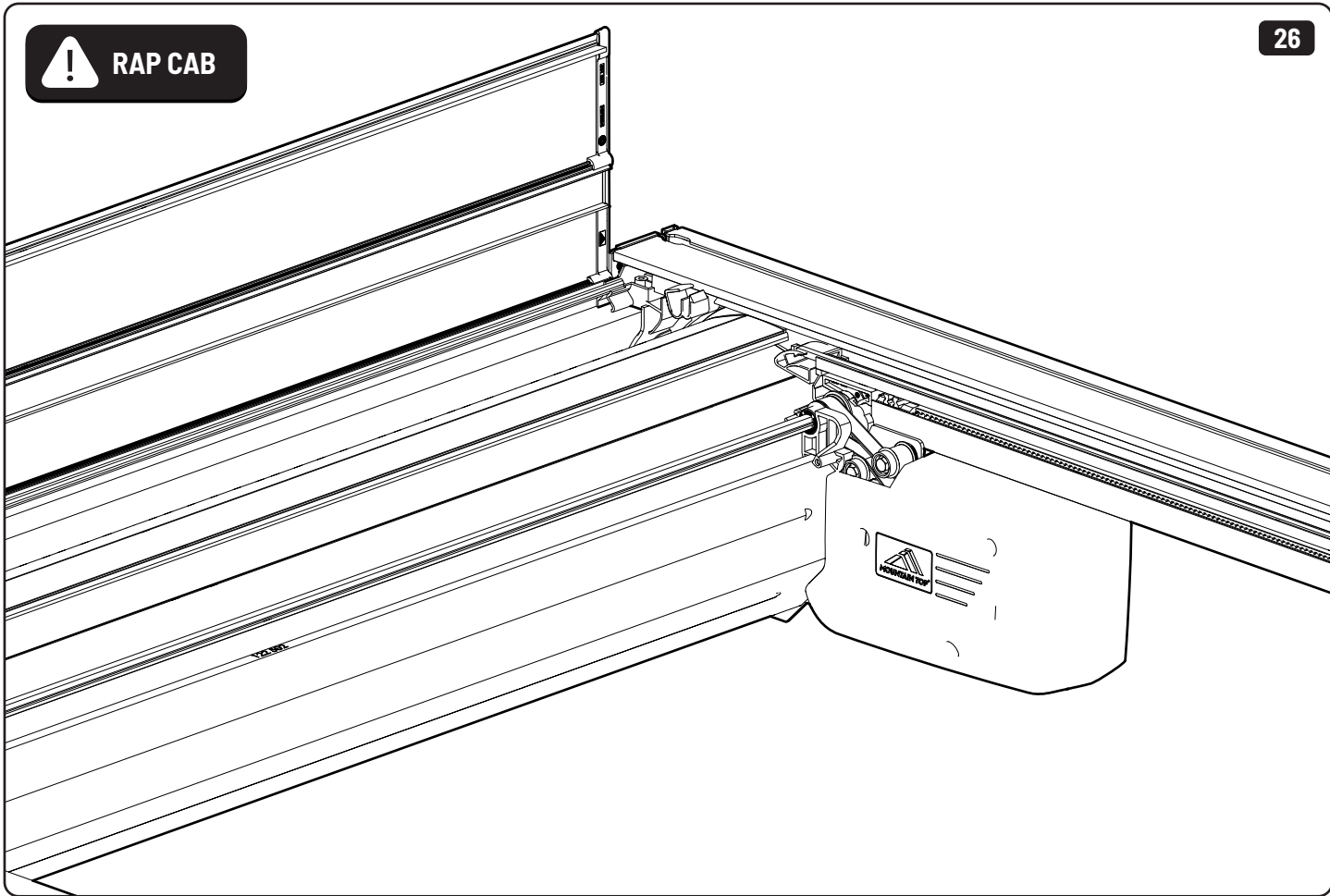




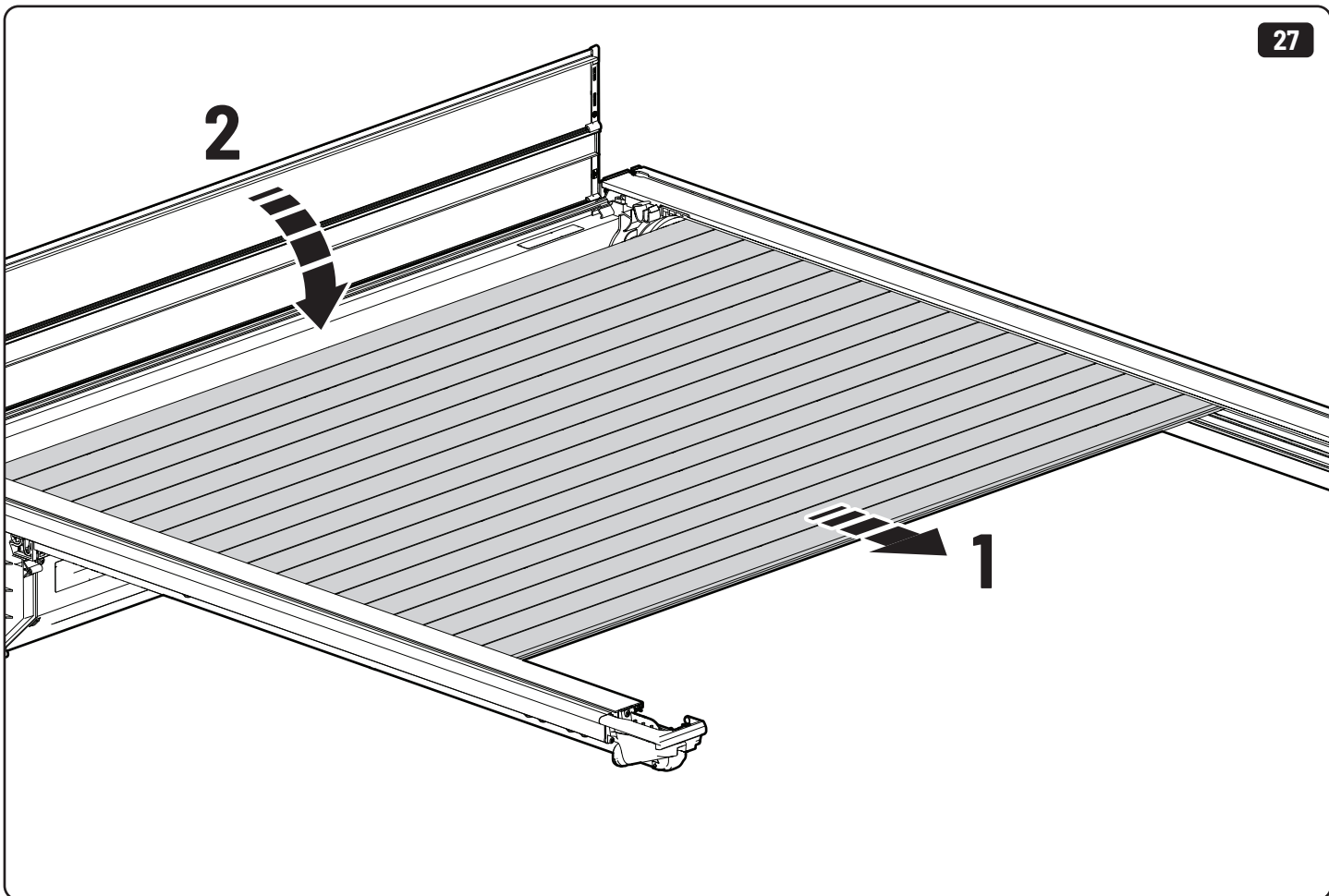


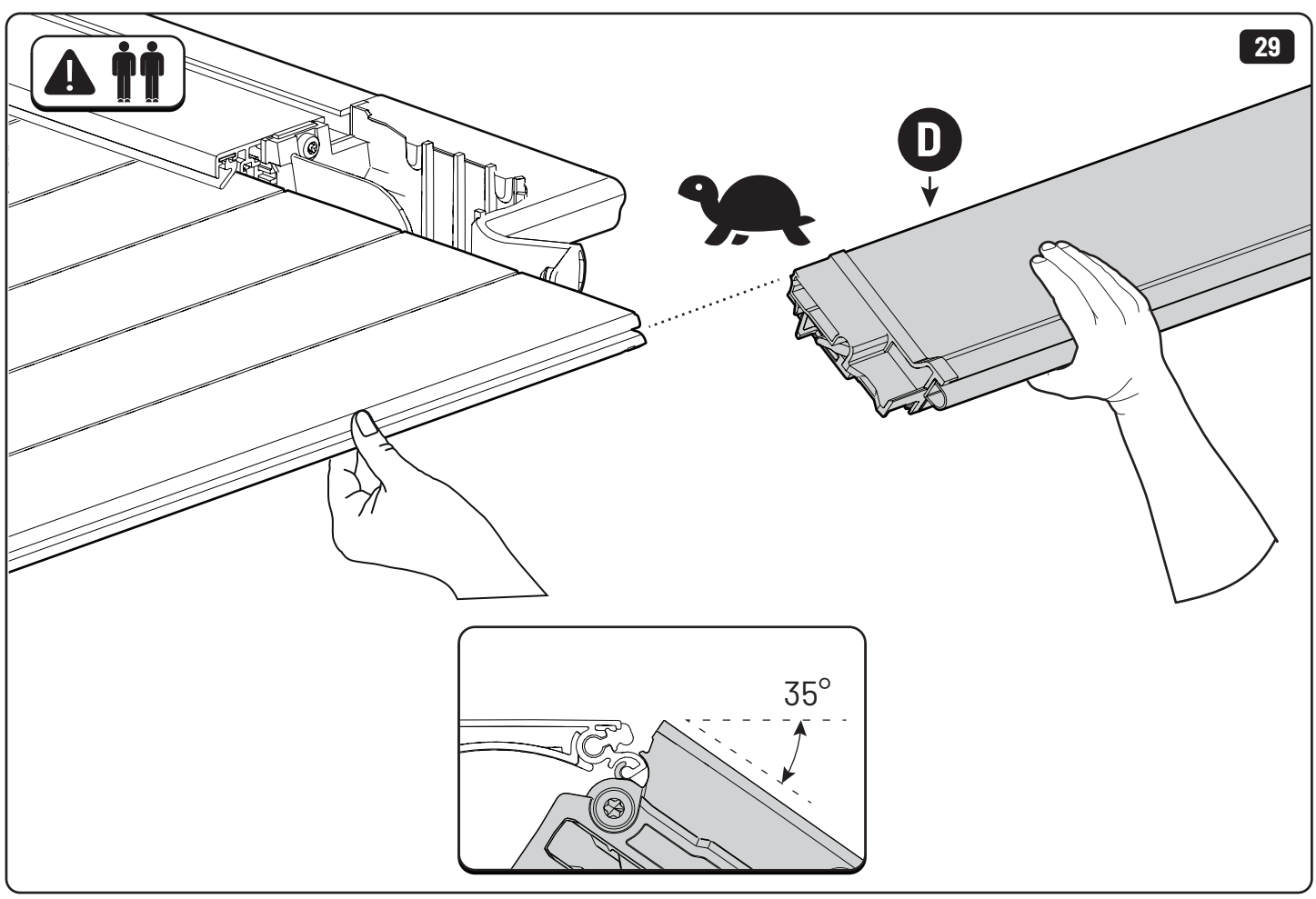
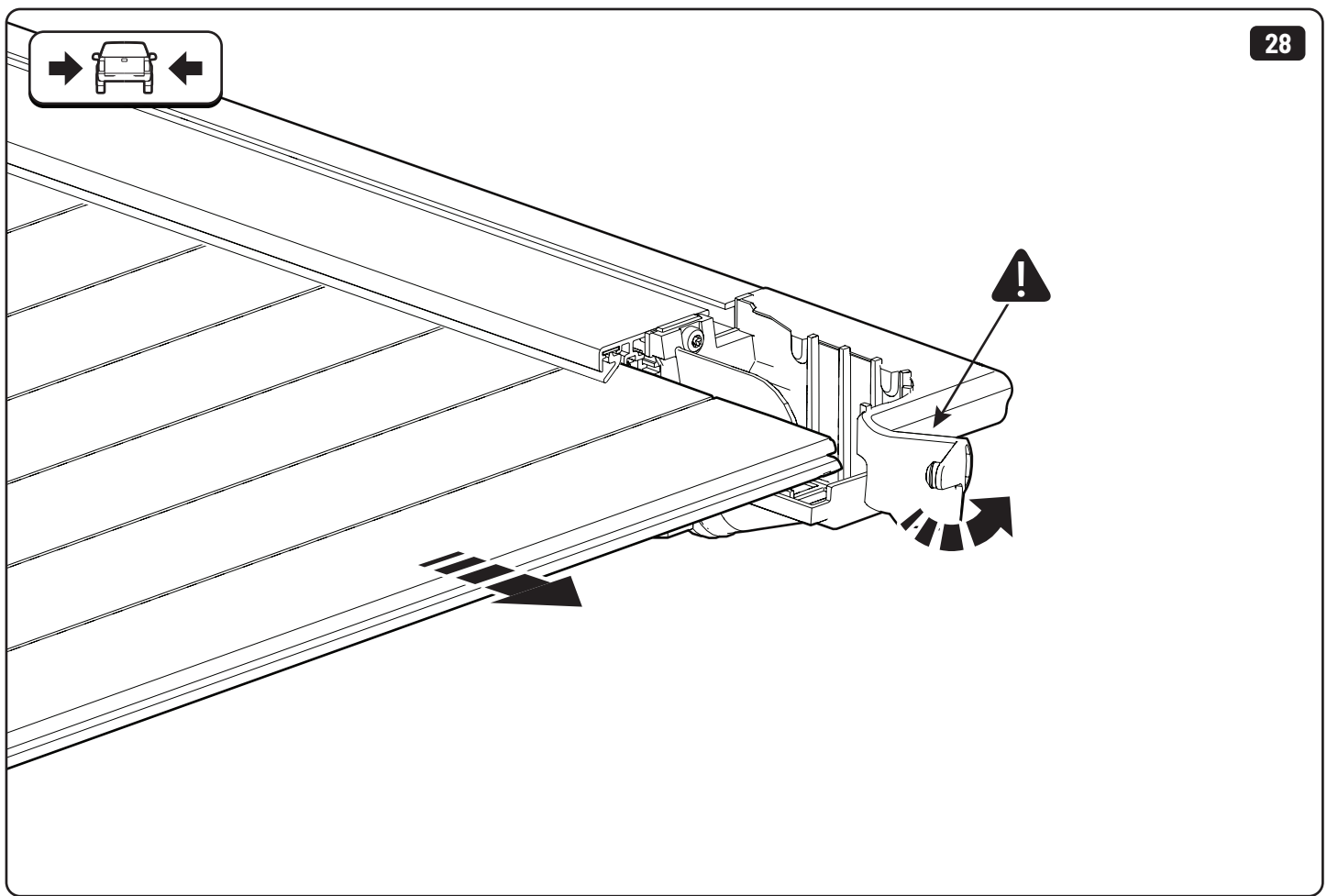
 **RAP CAB**

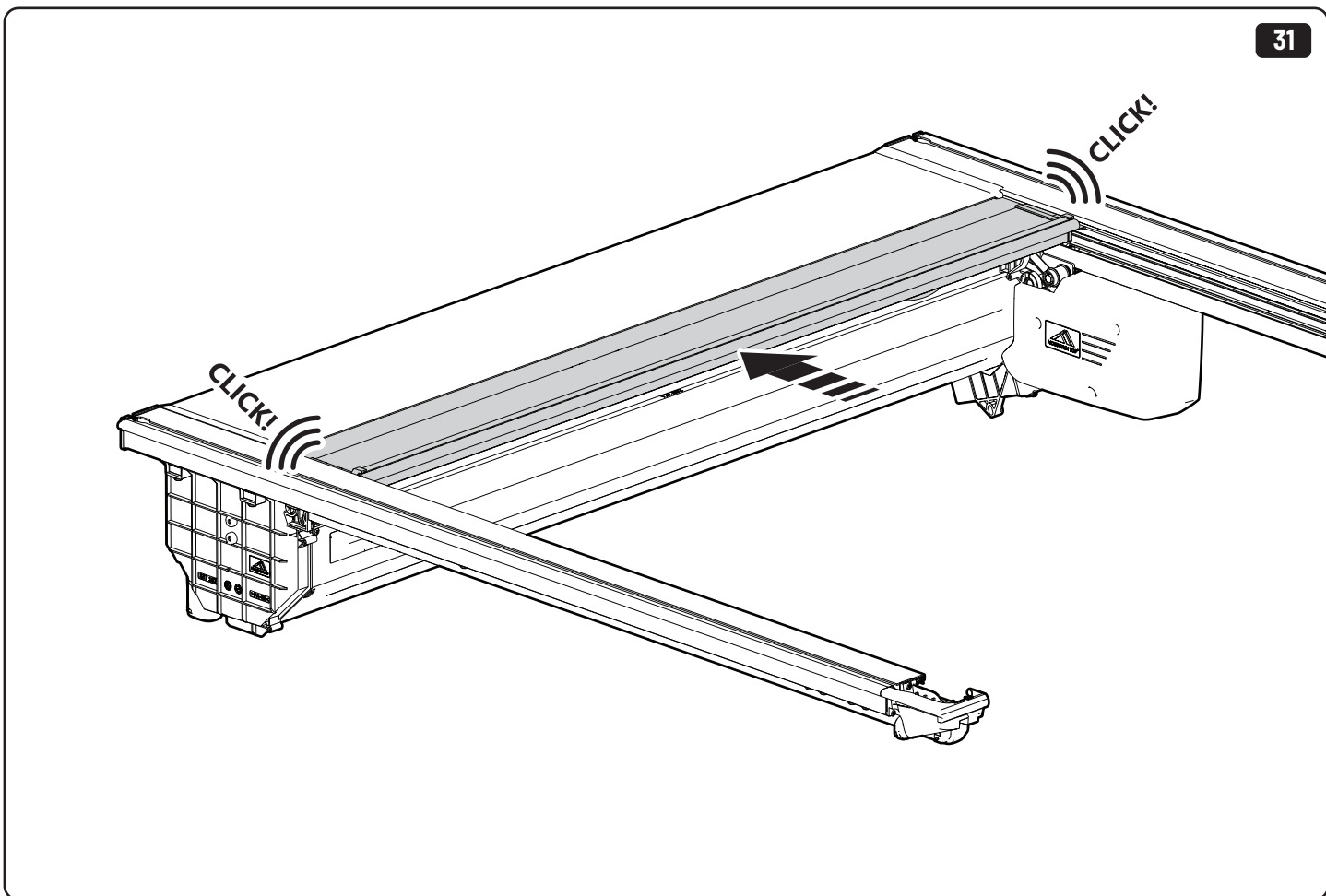
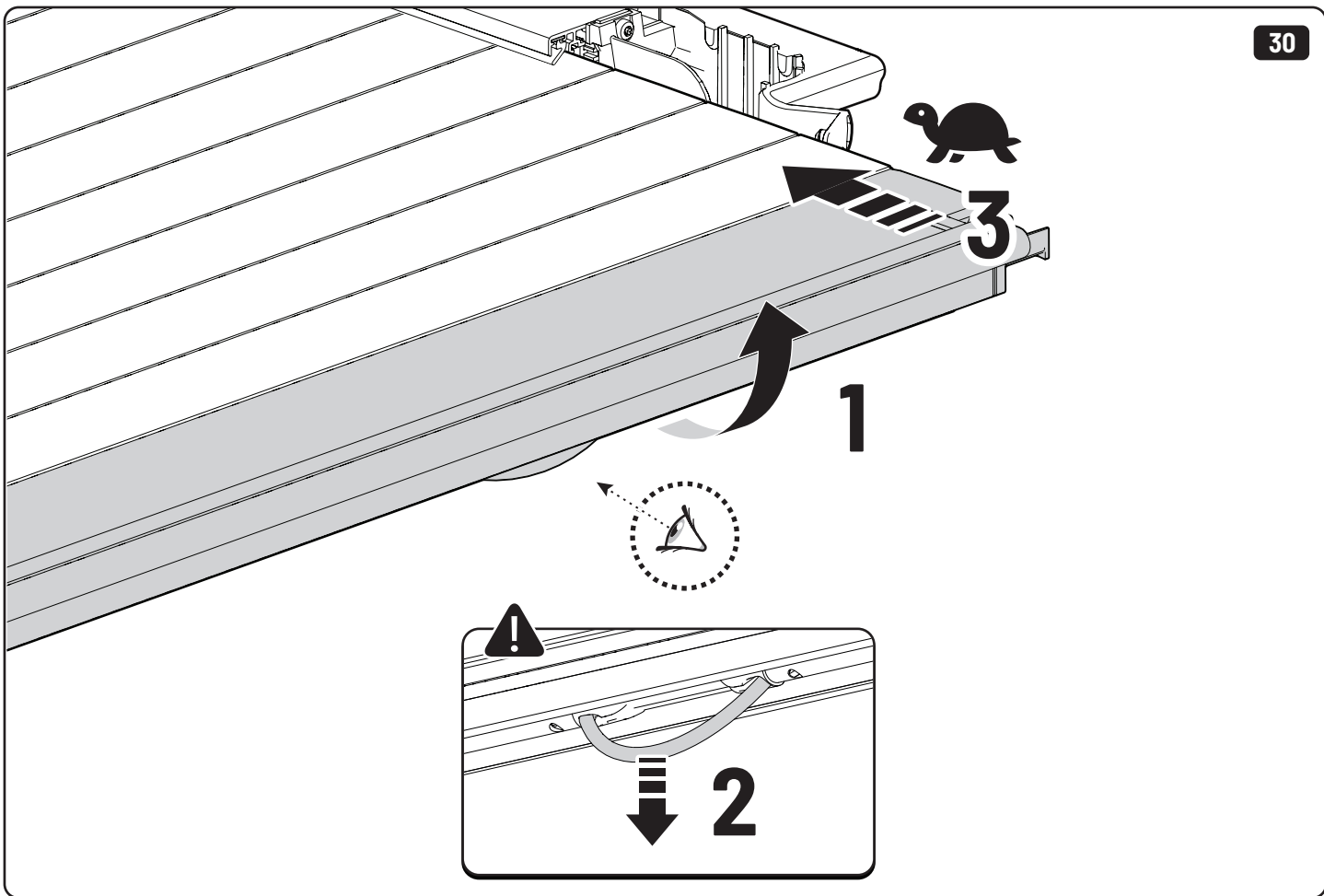
**26**

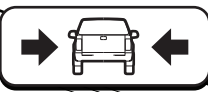
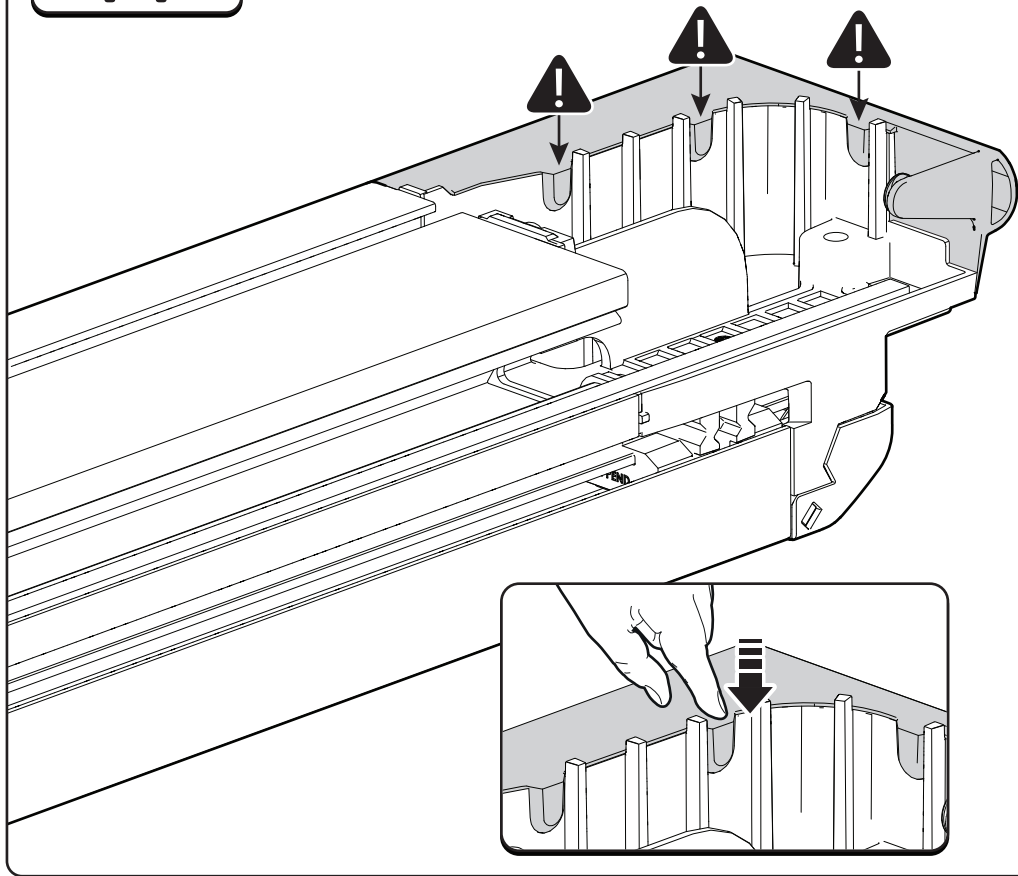
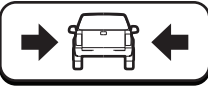


**27**

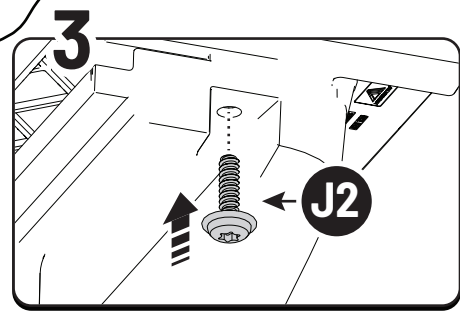
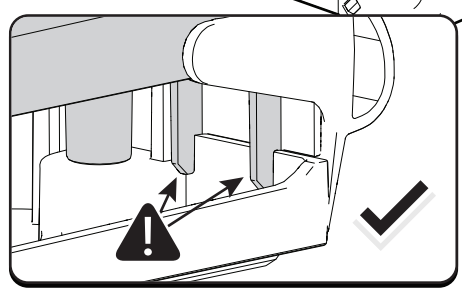
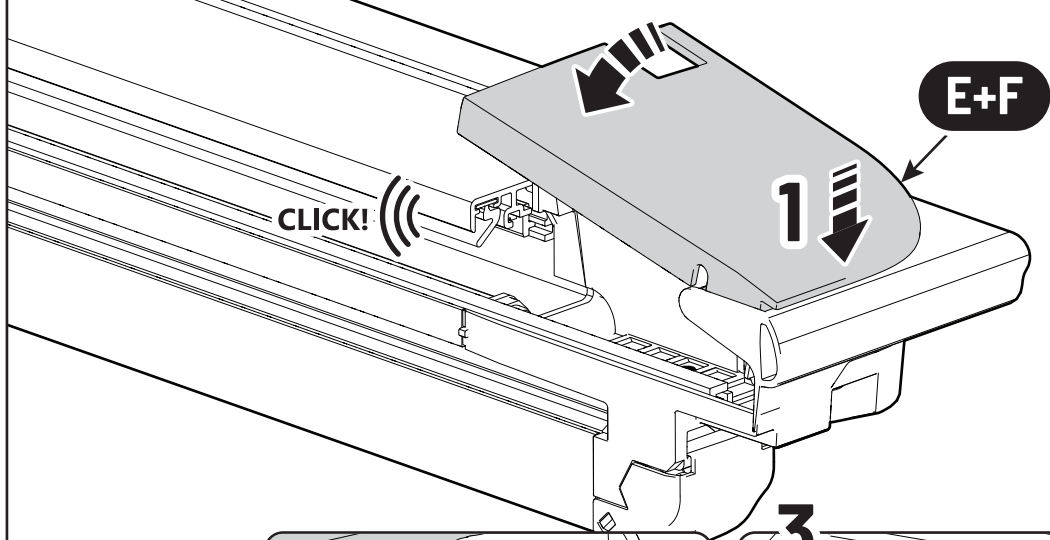




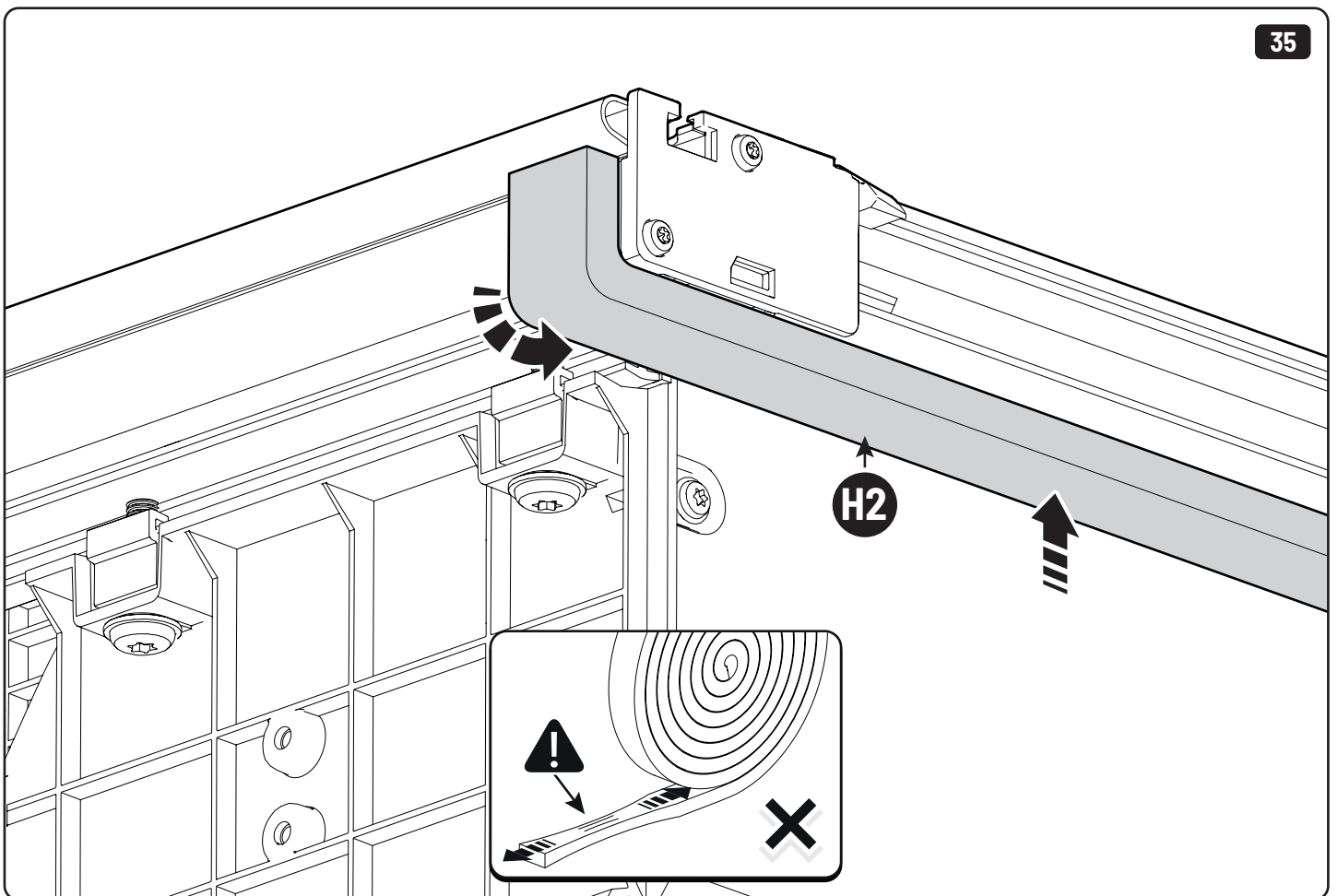
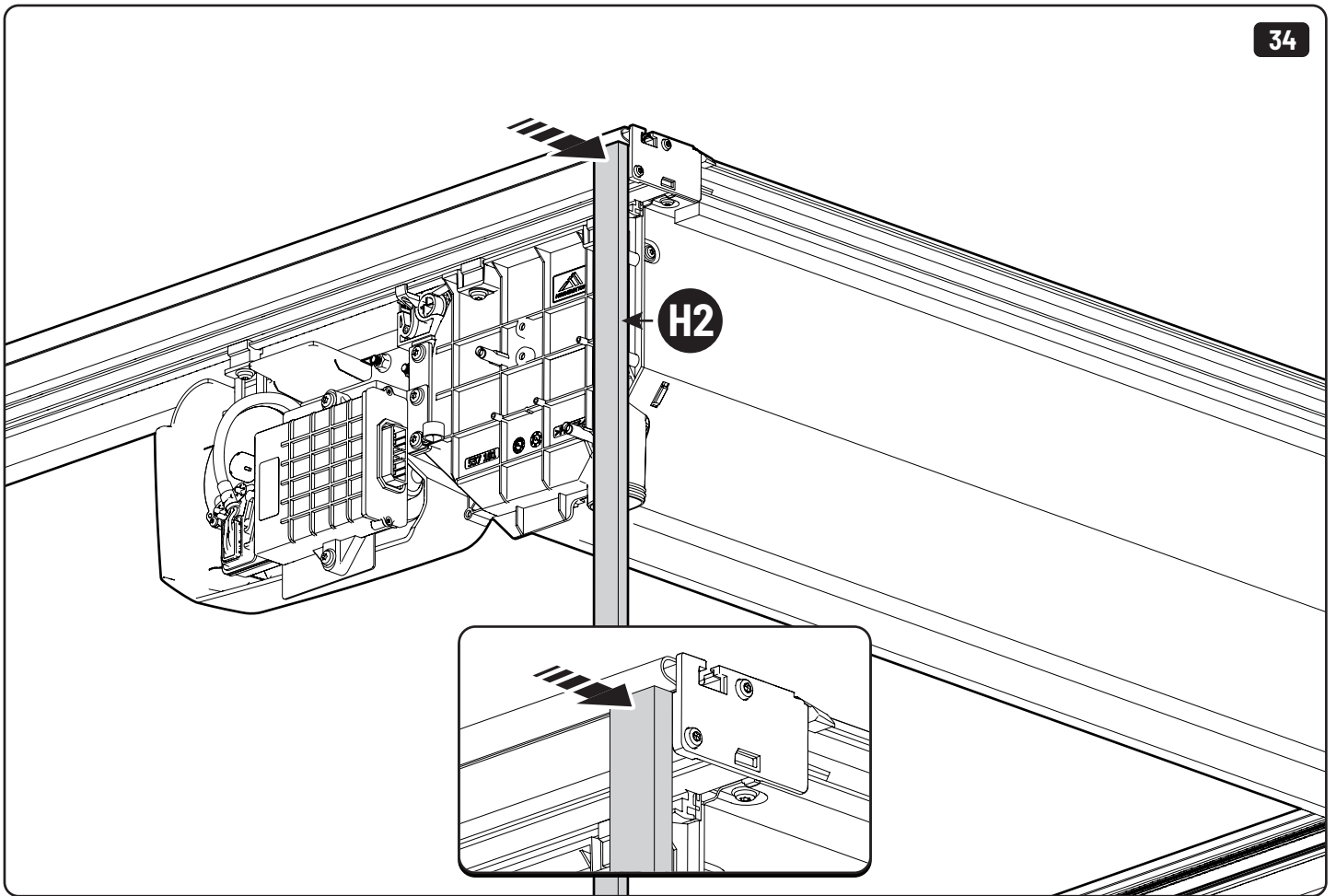




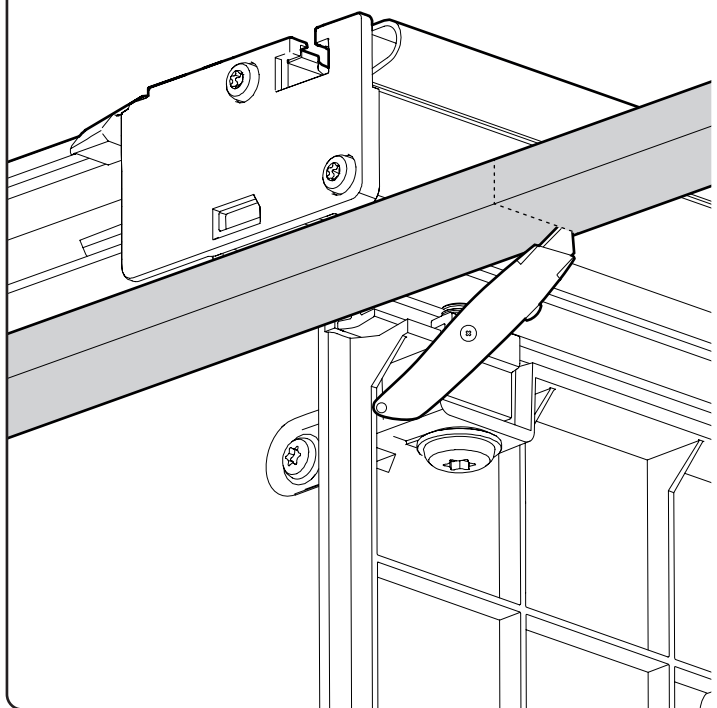
T20 2,4Nm



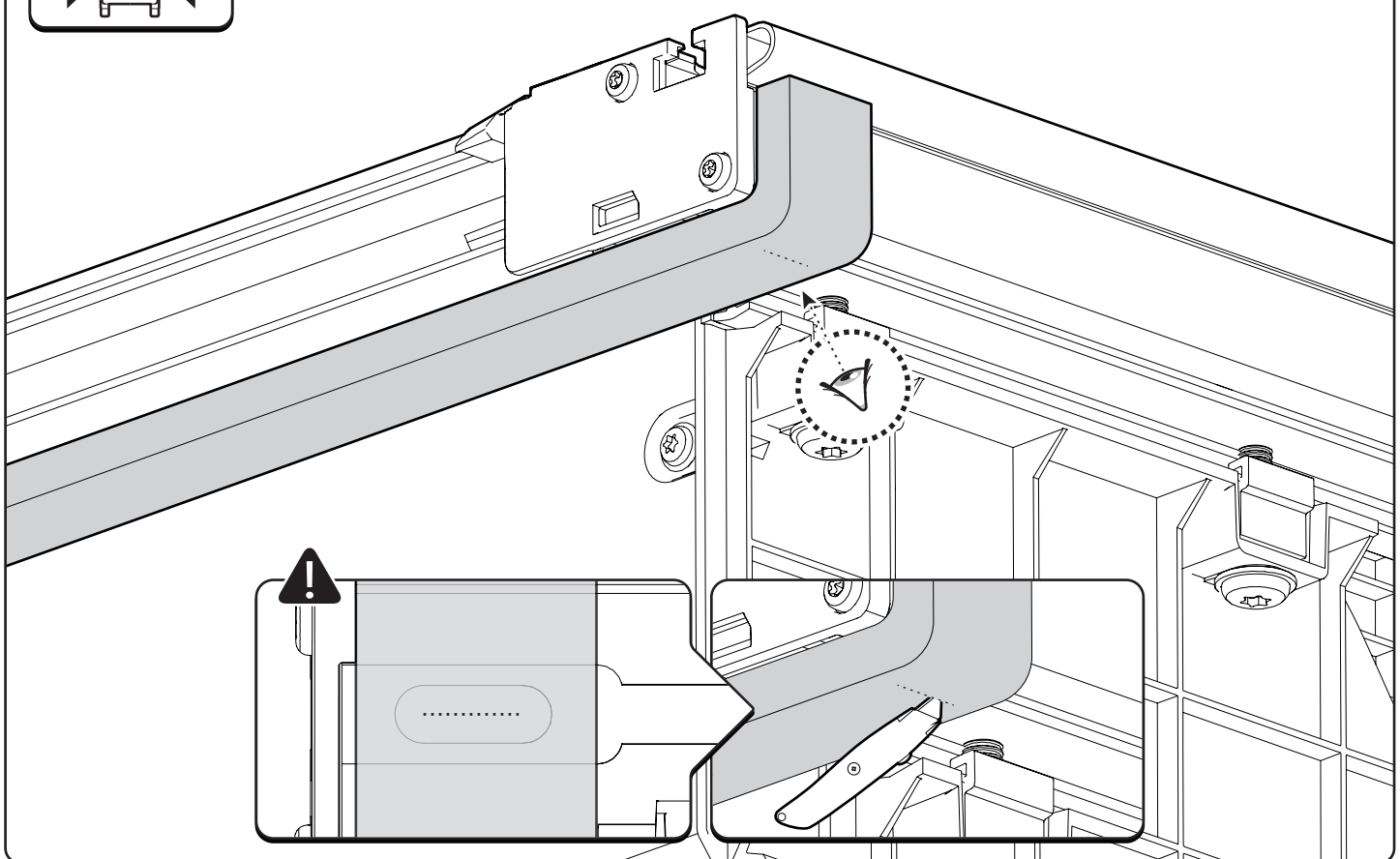
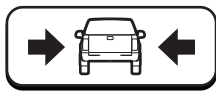
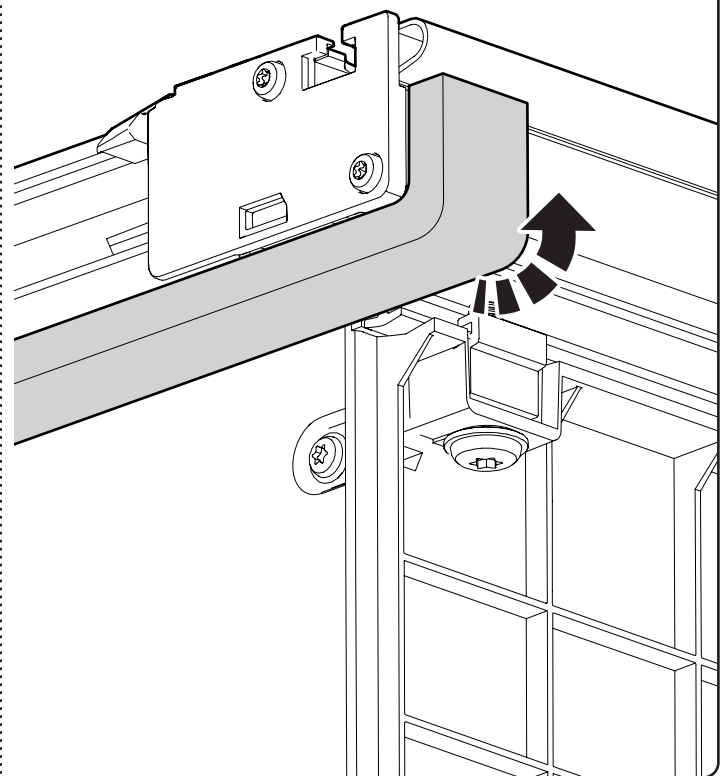


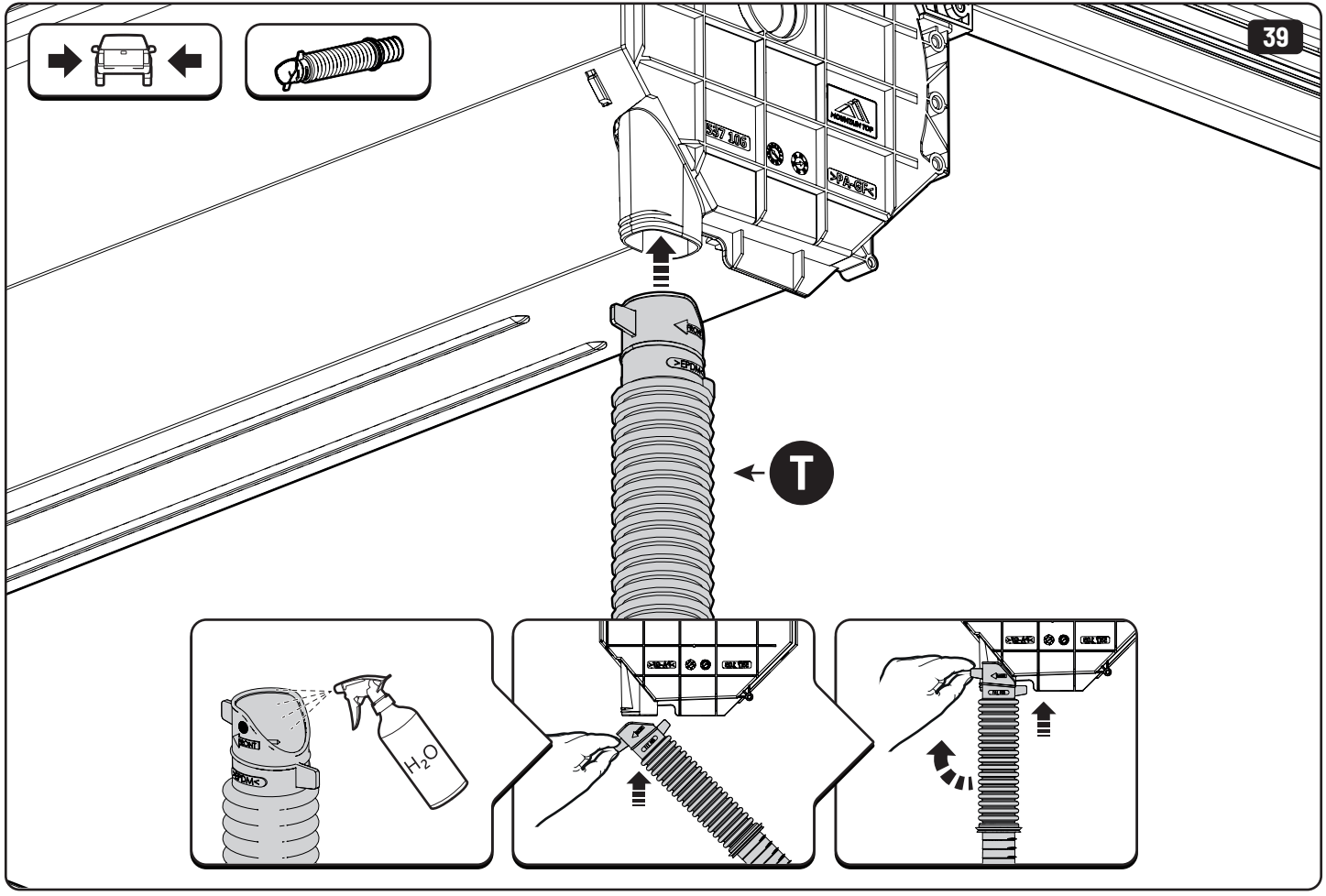
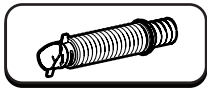
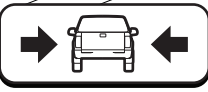
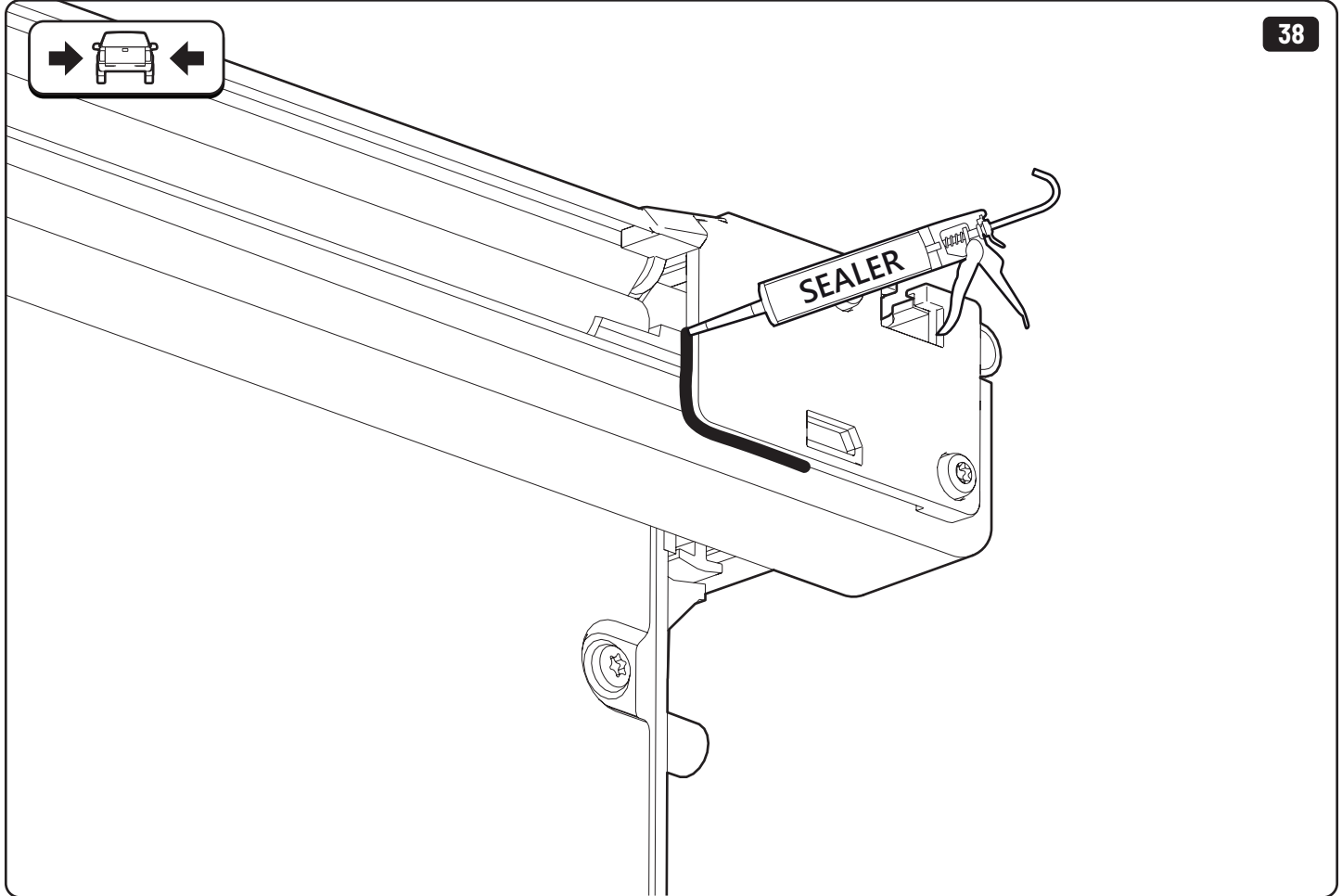


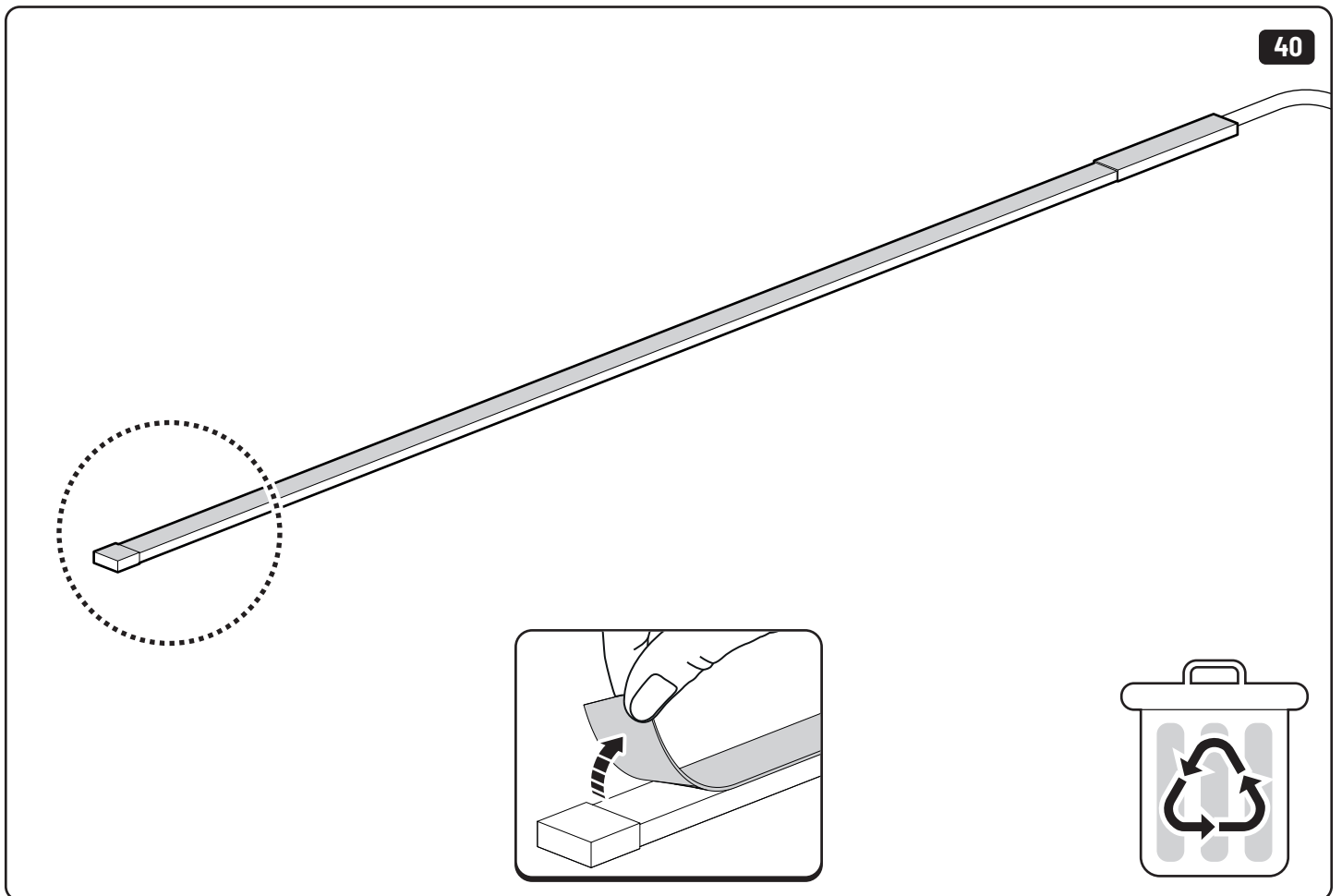
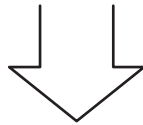
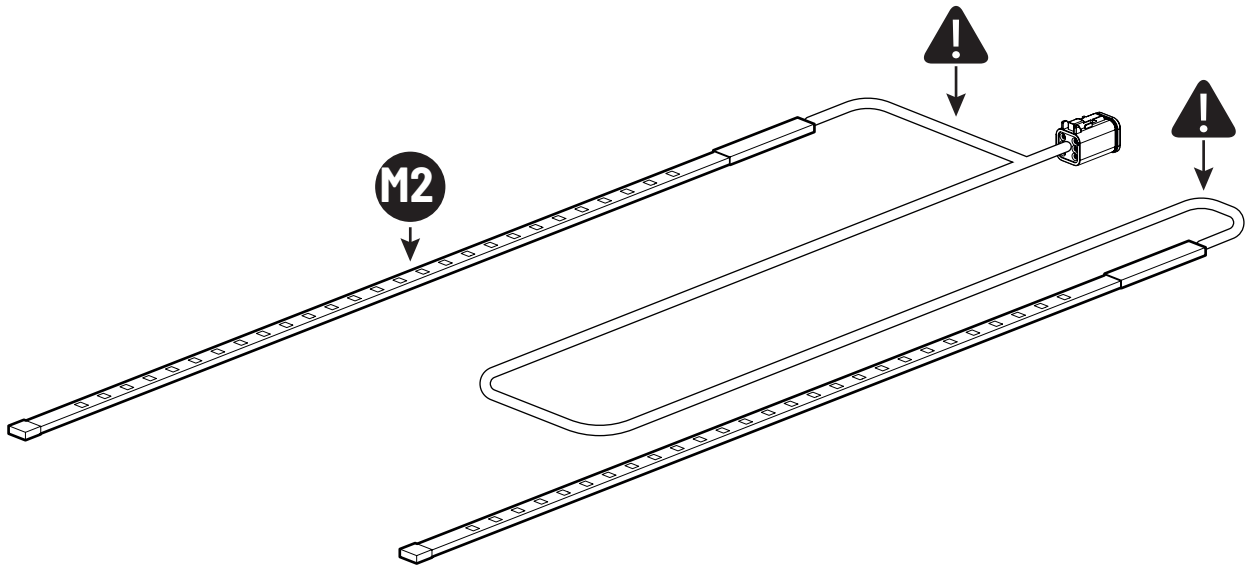
1

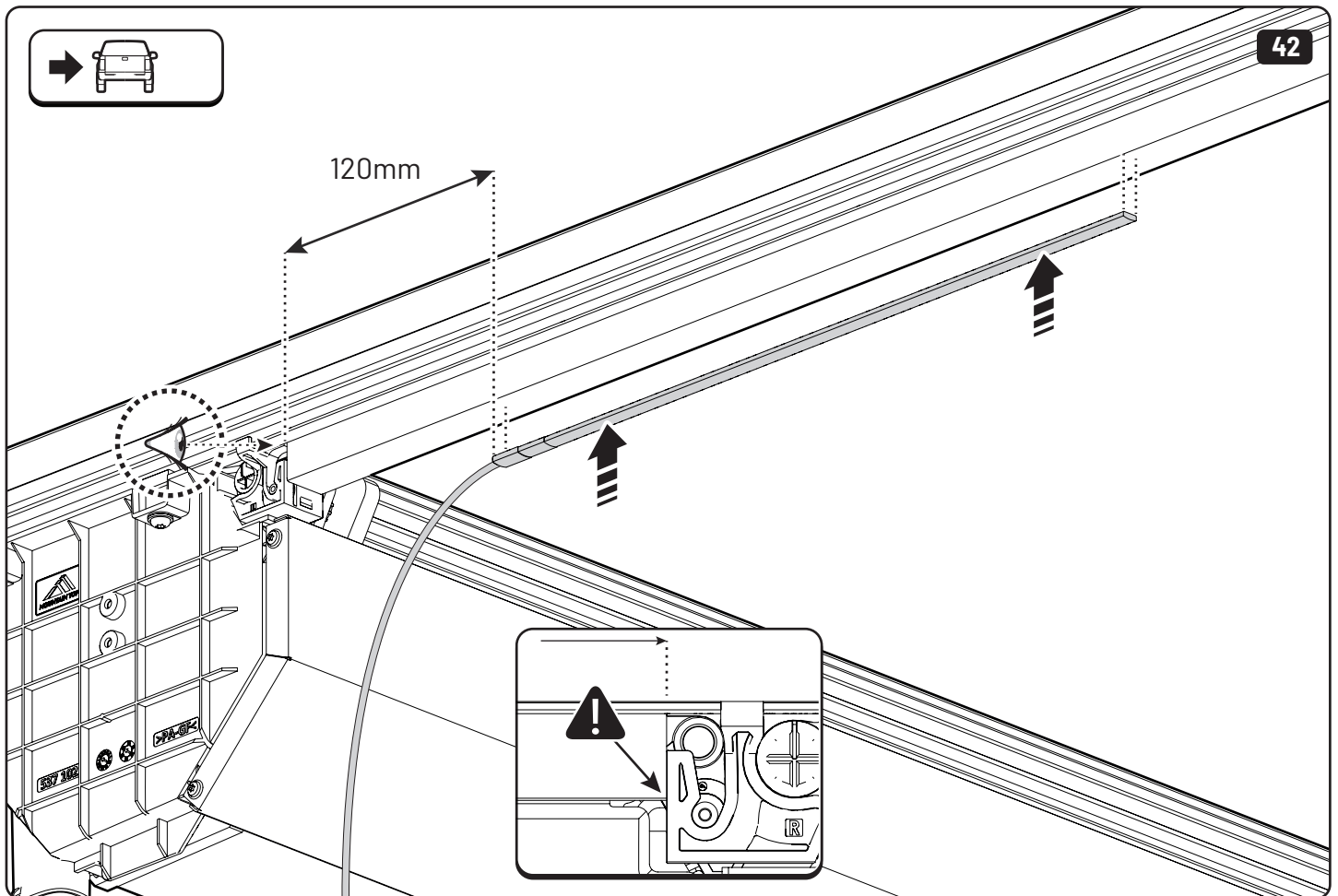
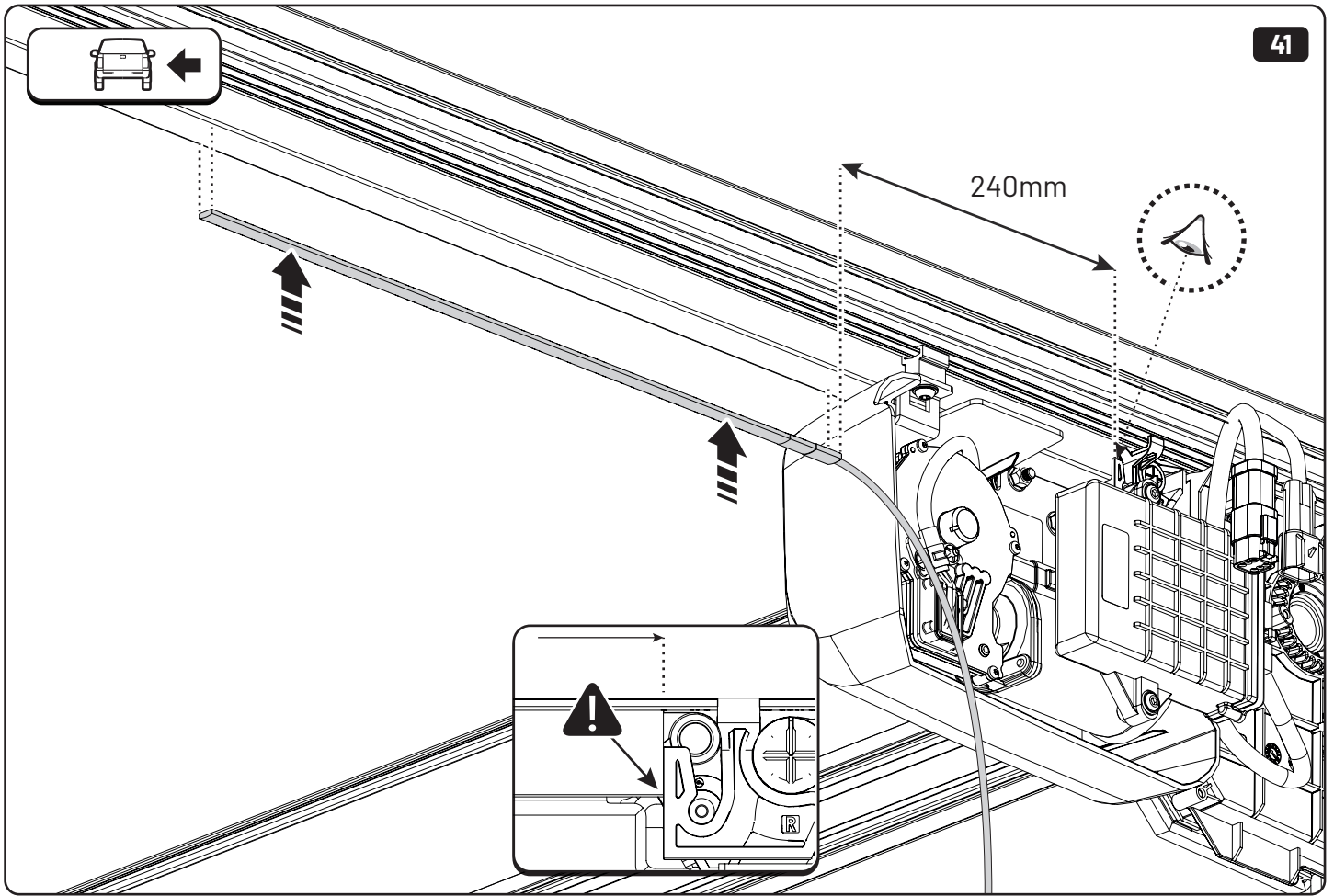


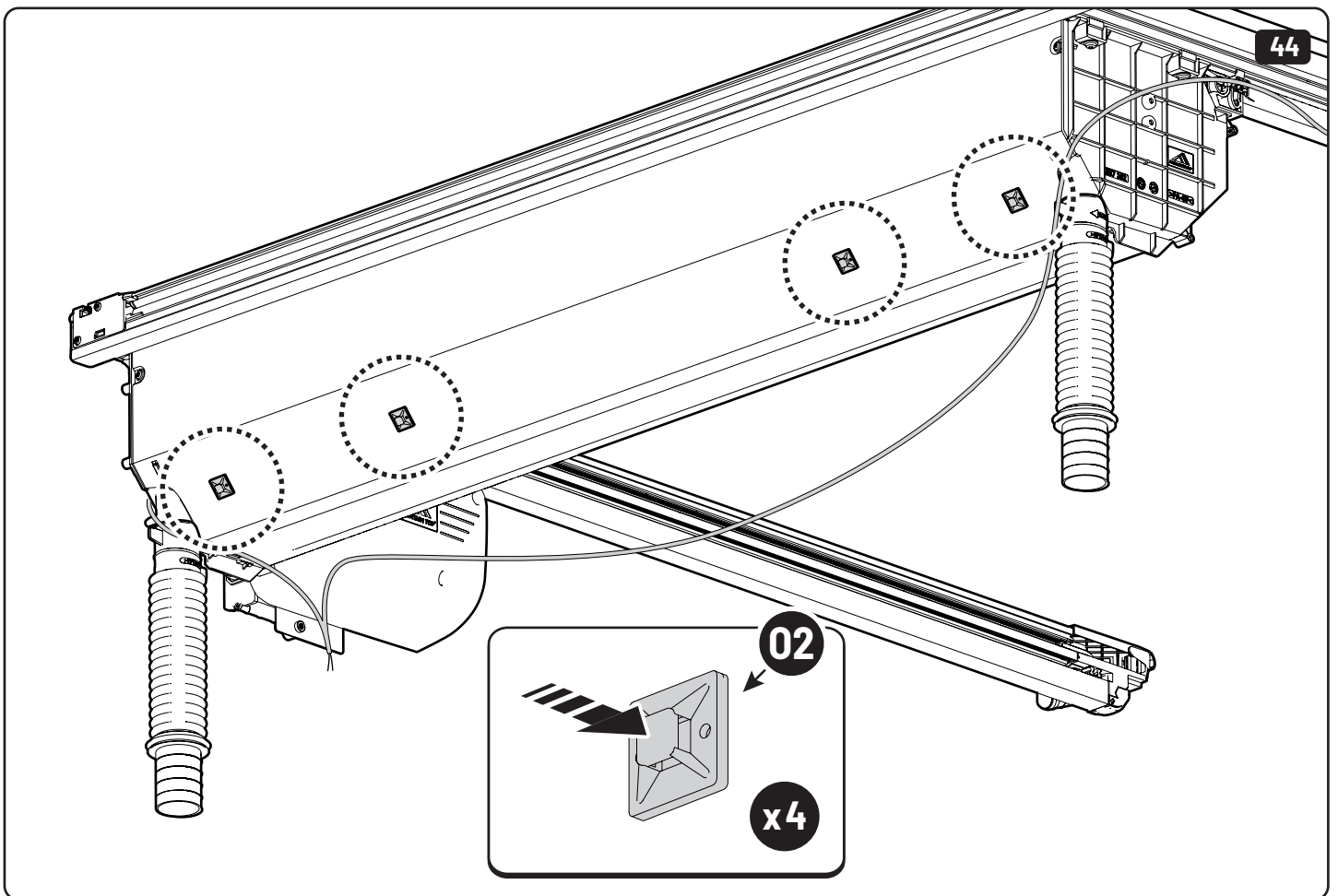
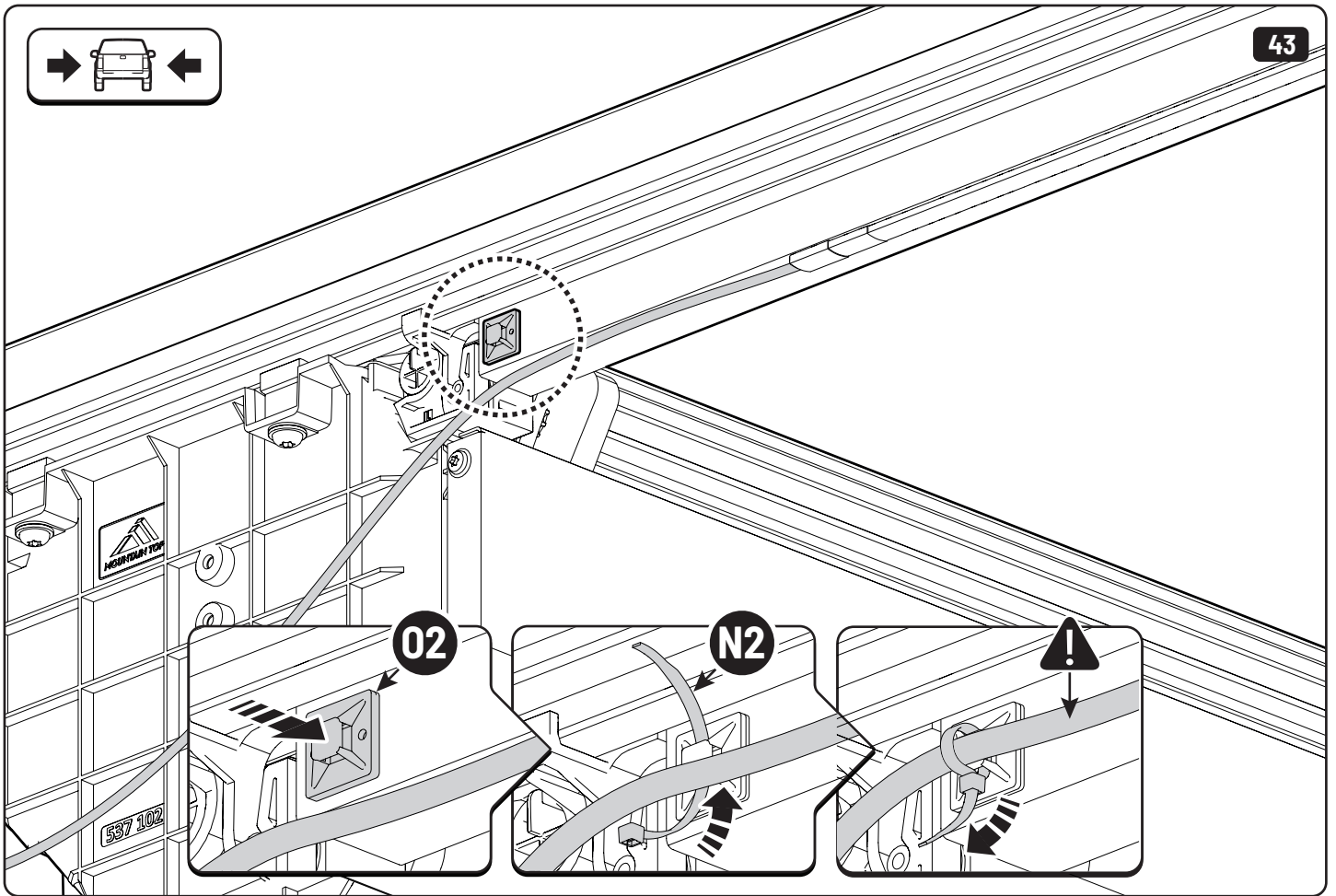
2

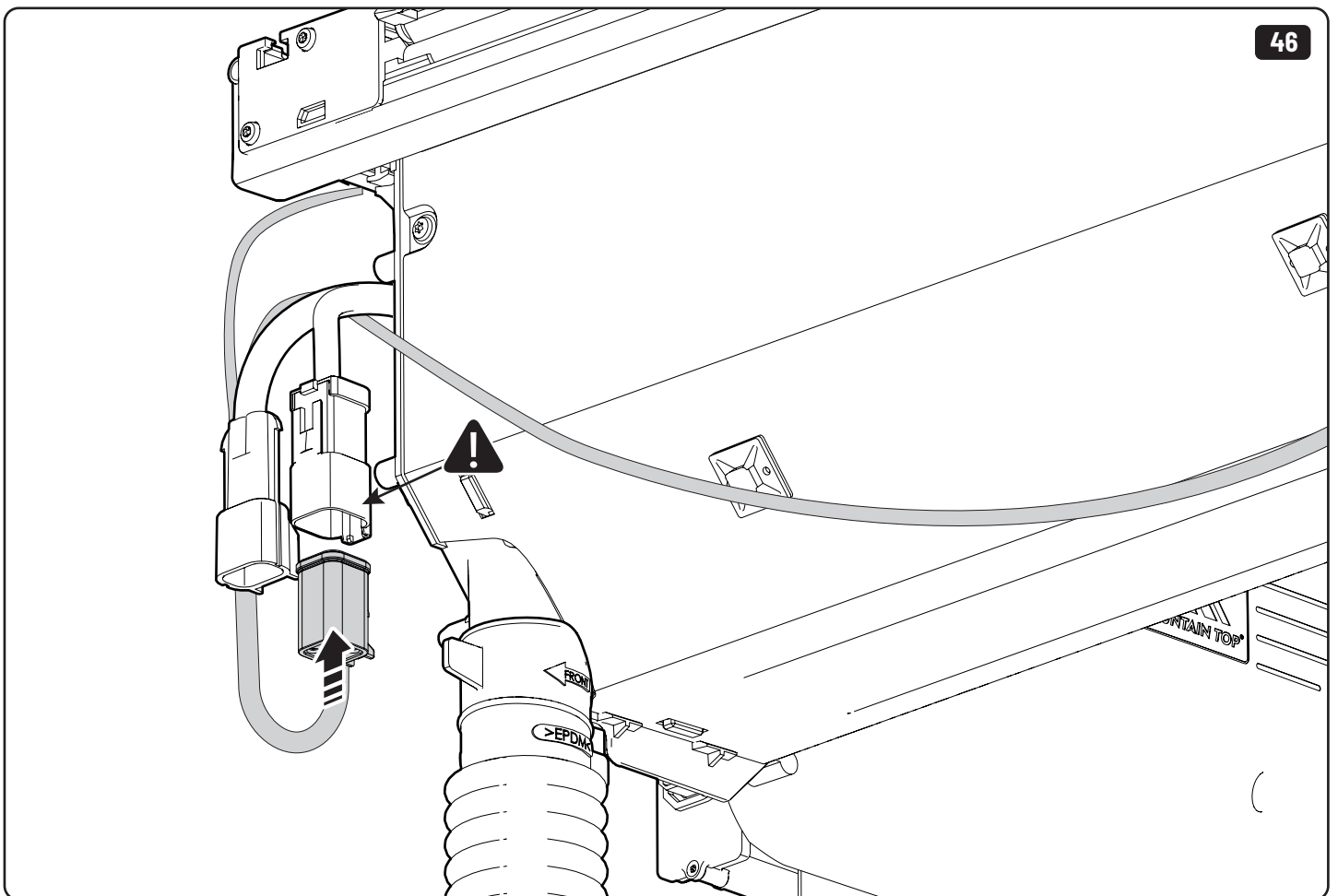
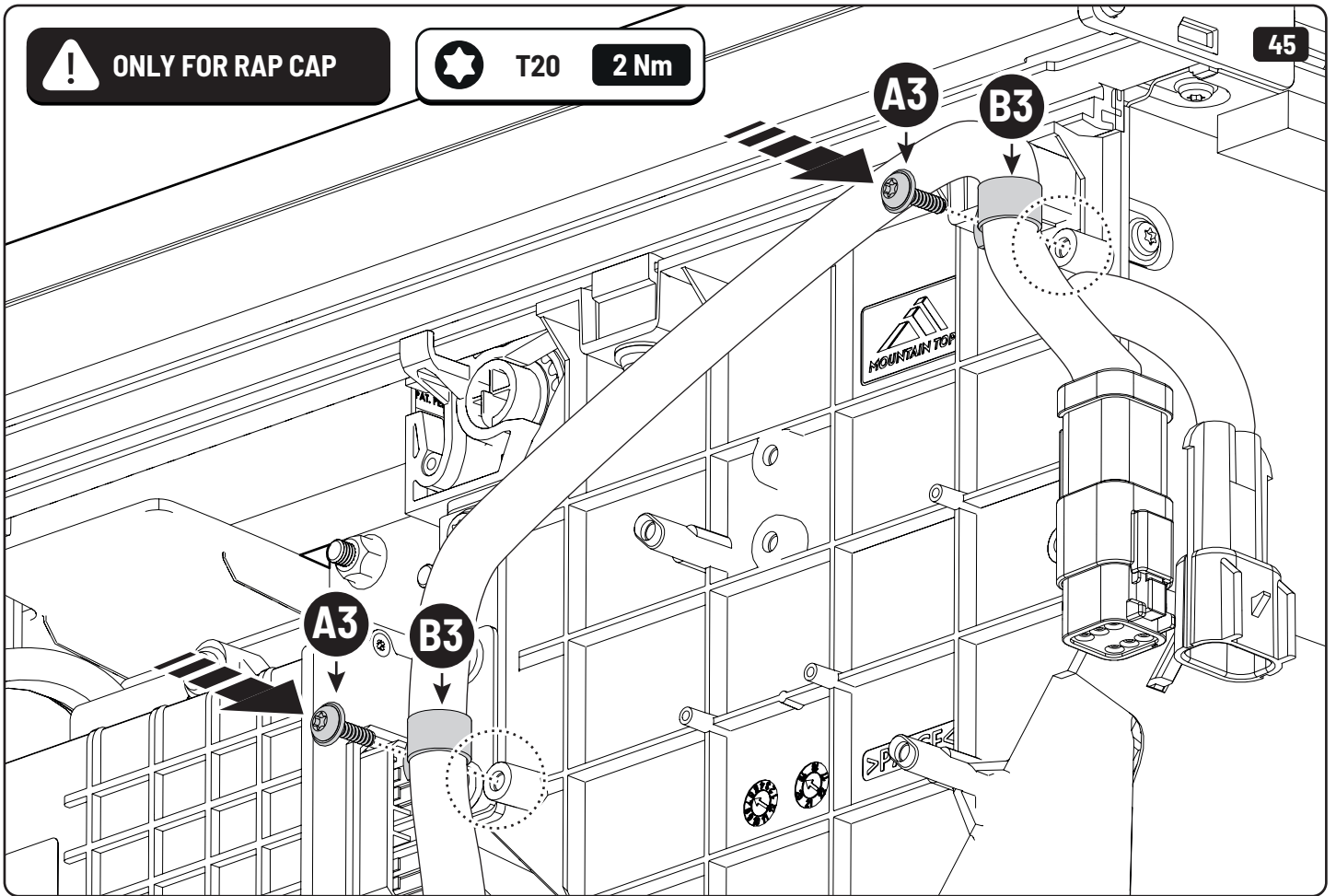


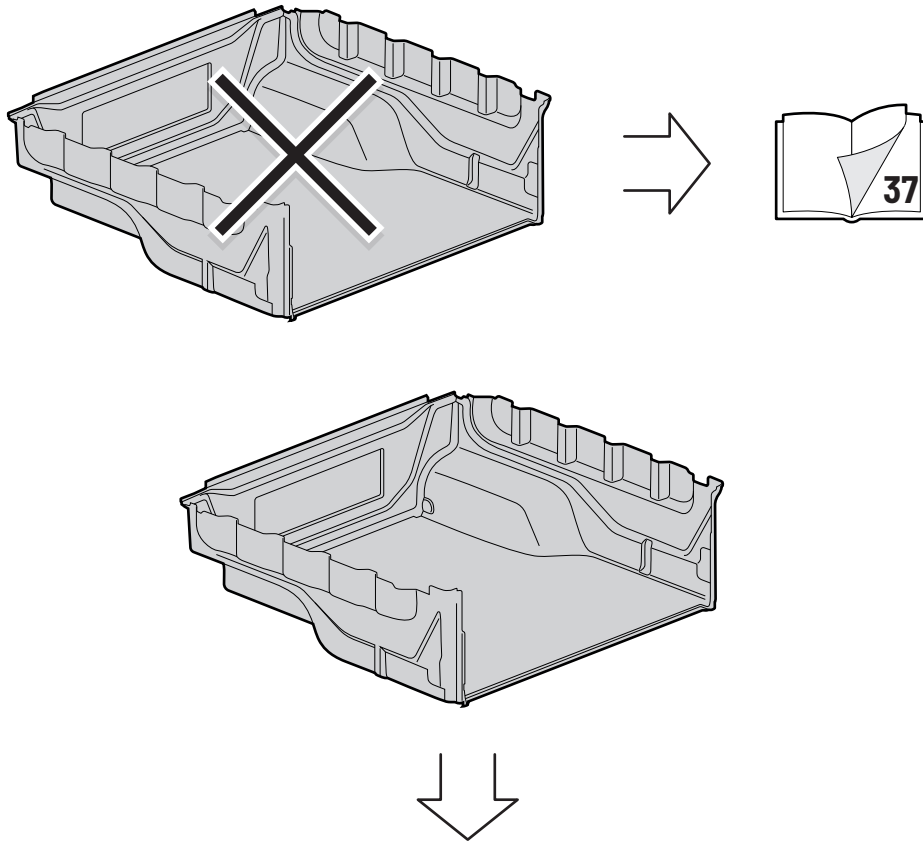






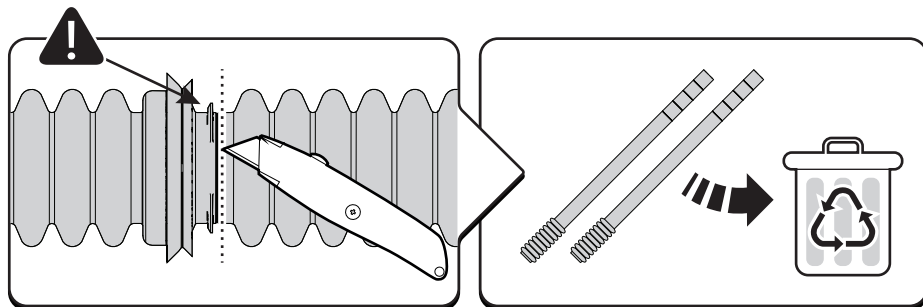
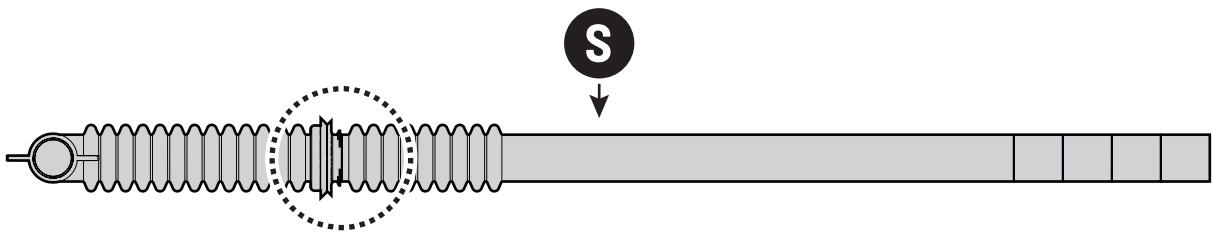






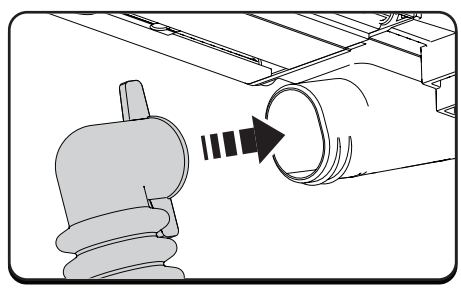
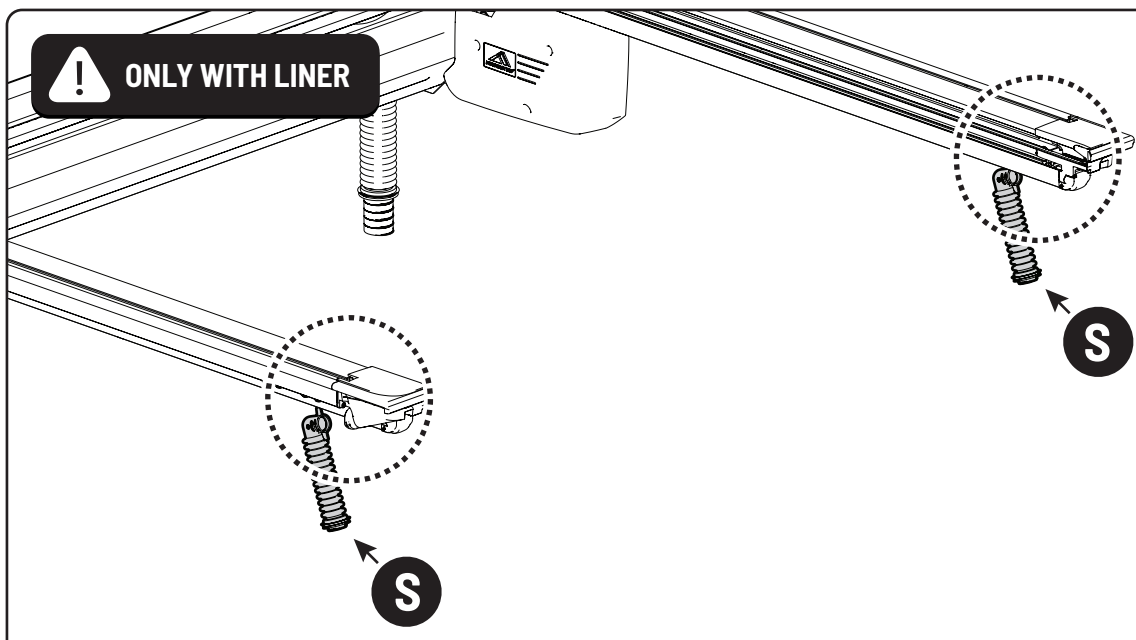
**!** ONLY WITH LINER

**47**





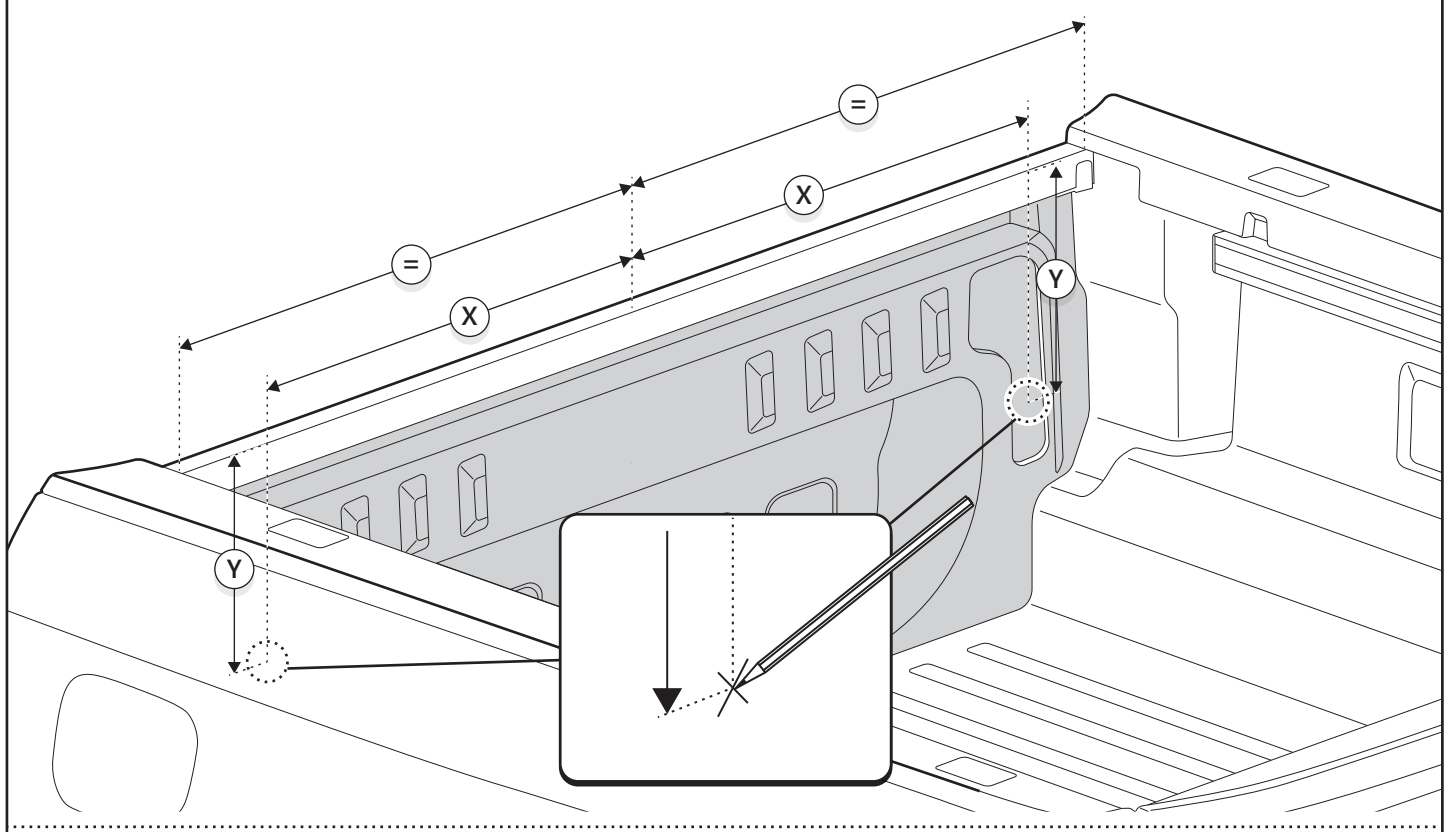
**!** ONLY WITH LINER



**!** ONLY WITH LINER

**!** EUROPEAN MODEL

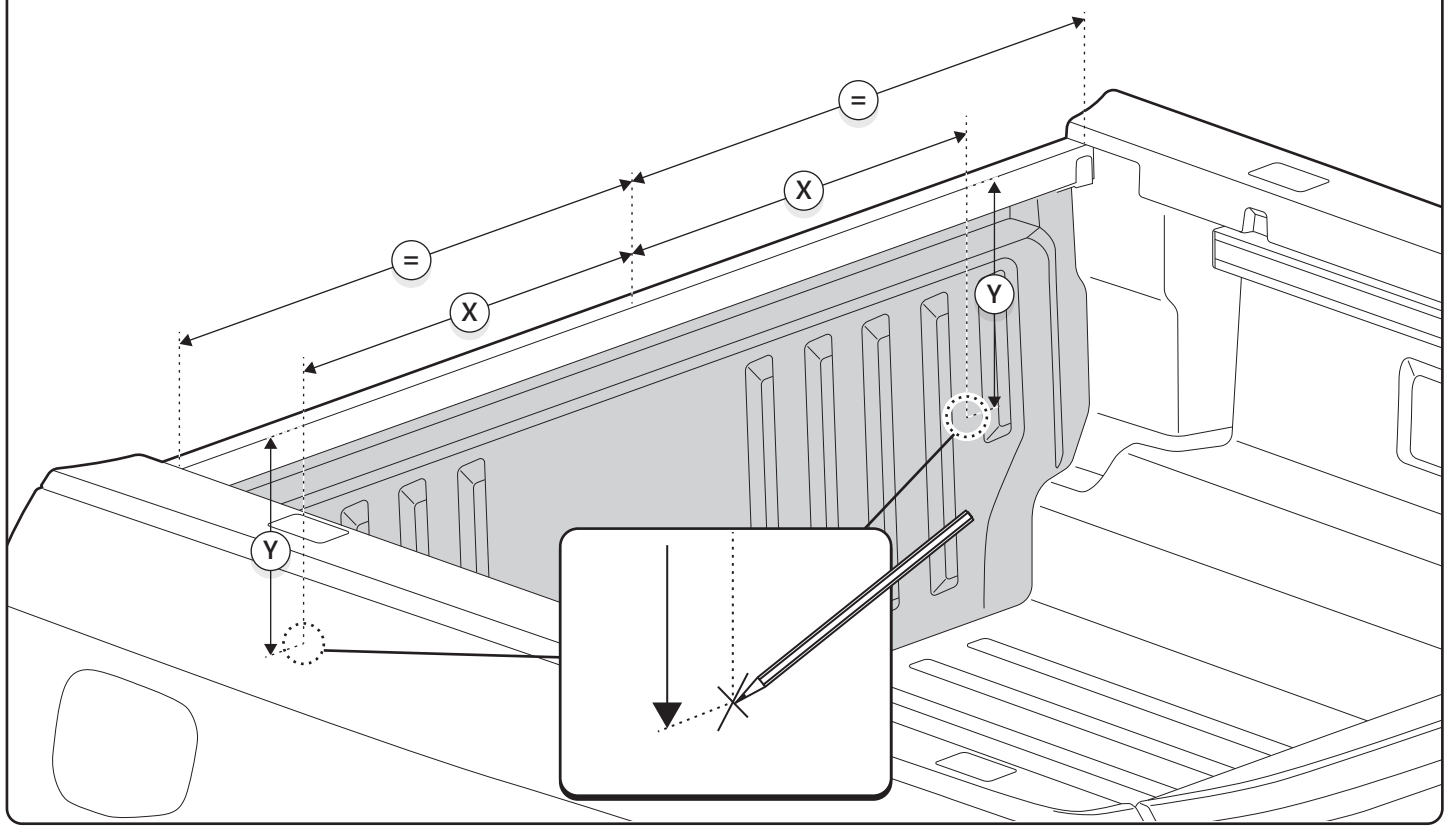
**X: 650 mm Y: 290 mm**



**!** ONLY WITH LINER


**!** OTHER MODELS

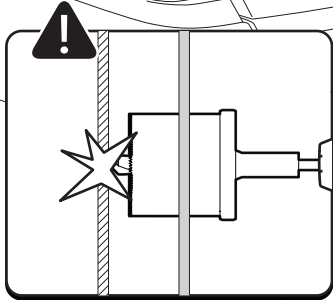
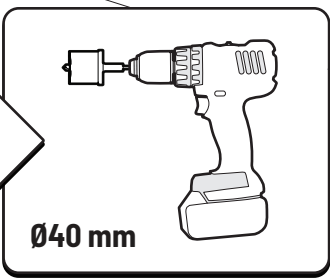
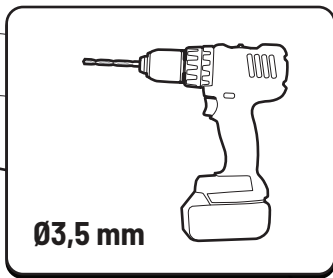
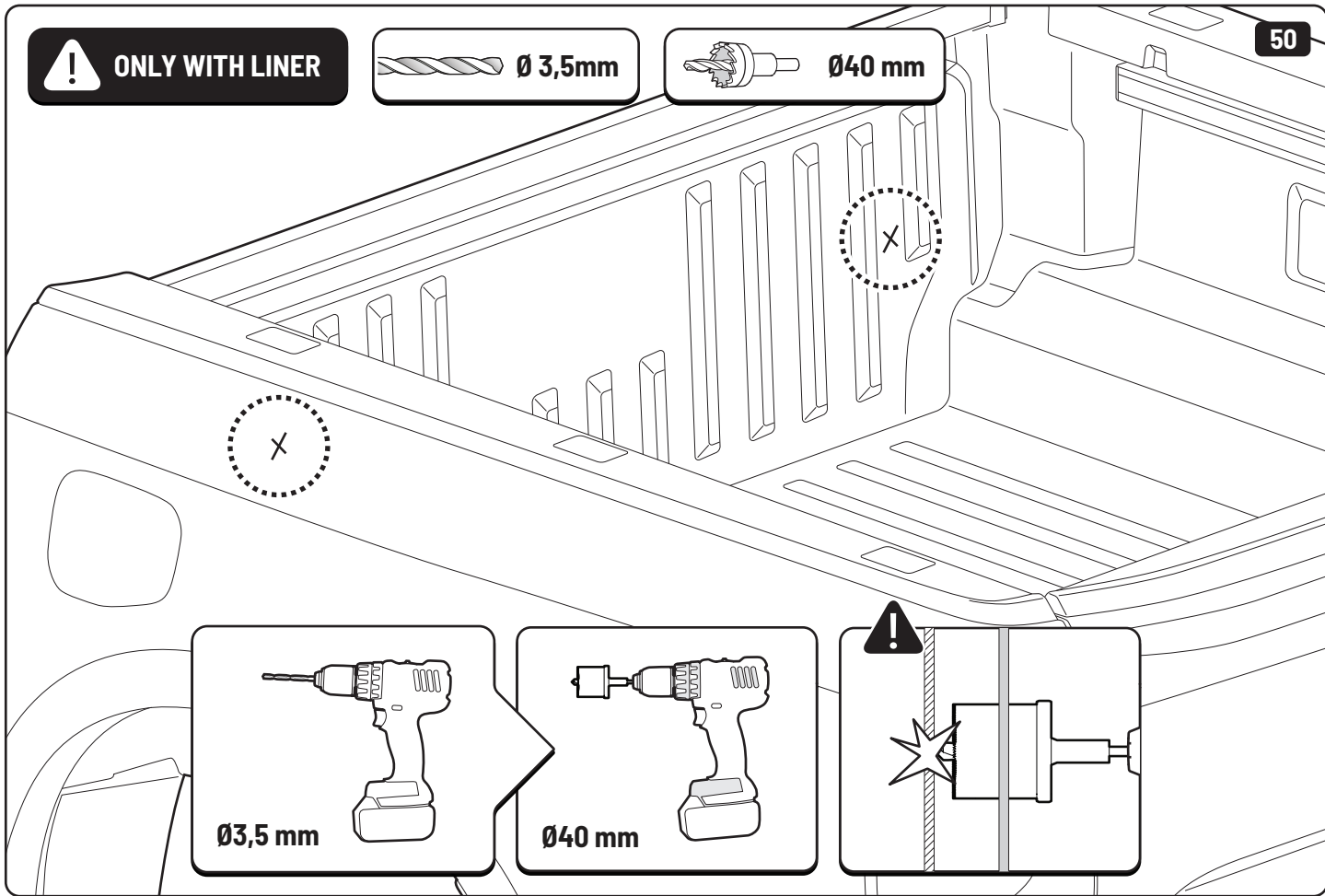
**X: 560 mm Y: 330 mm**



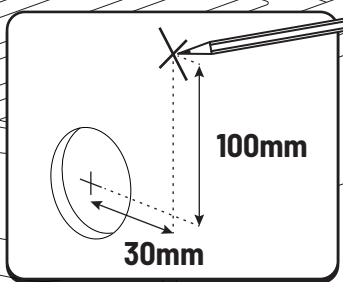
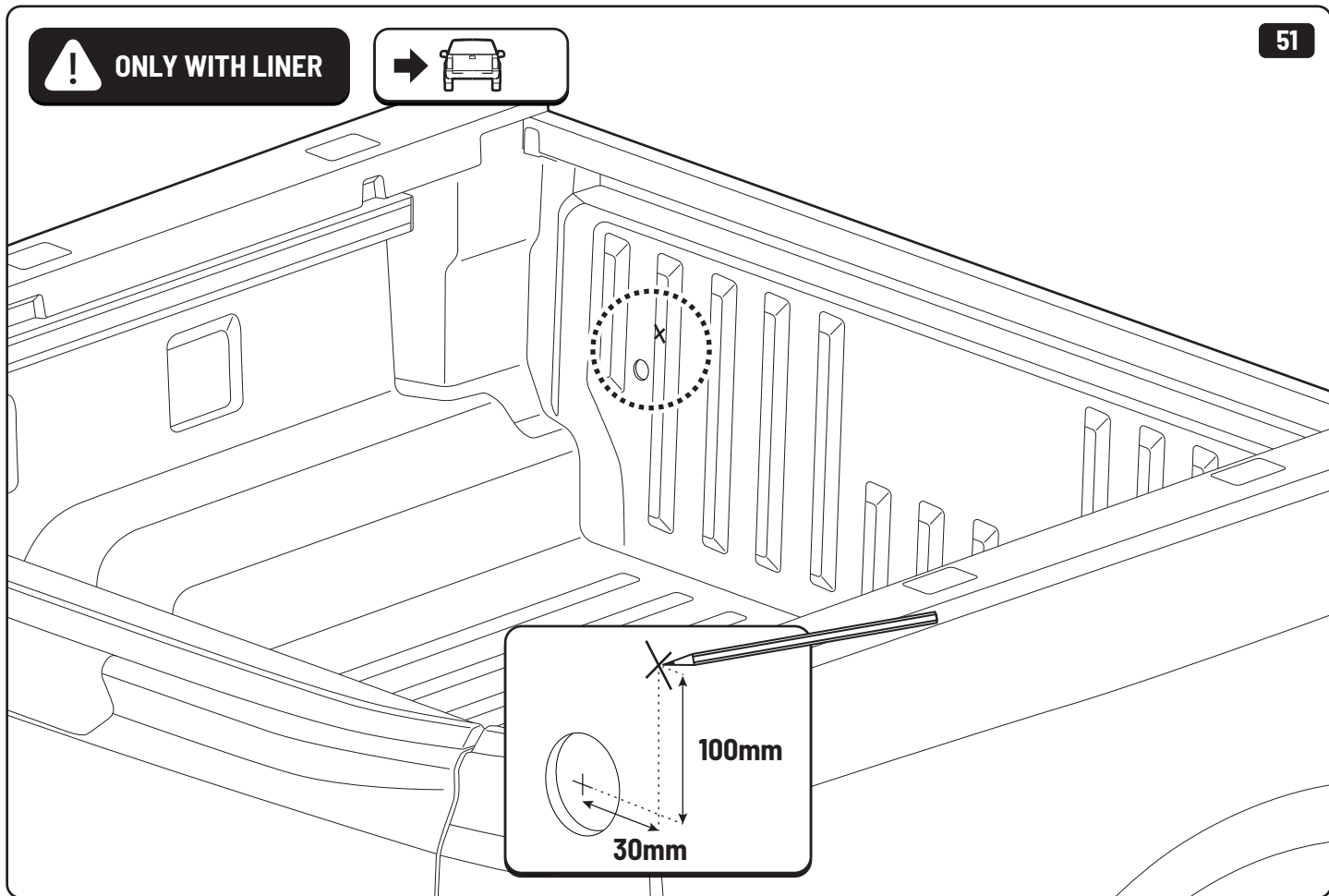
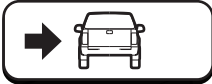
**! ONLY WITH LINER**

 **Ø 3,5mm**

 **Ø40 mm**



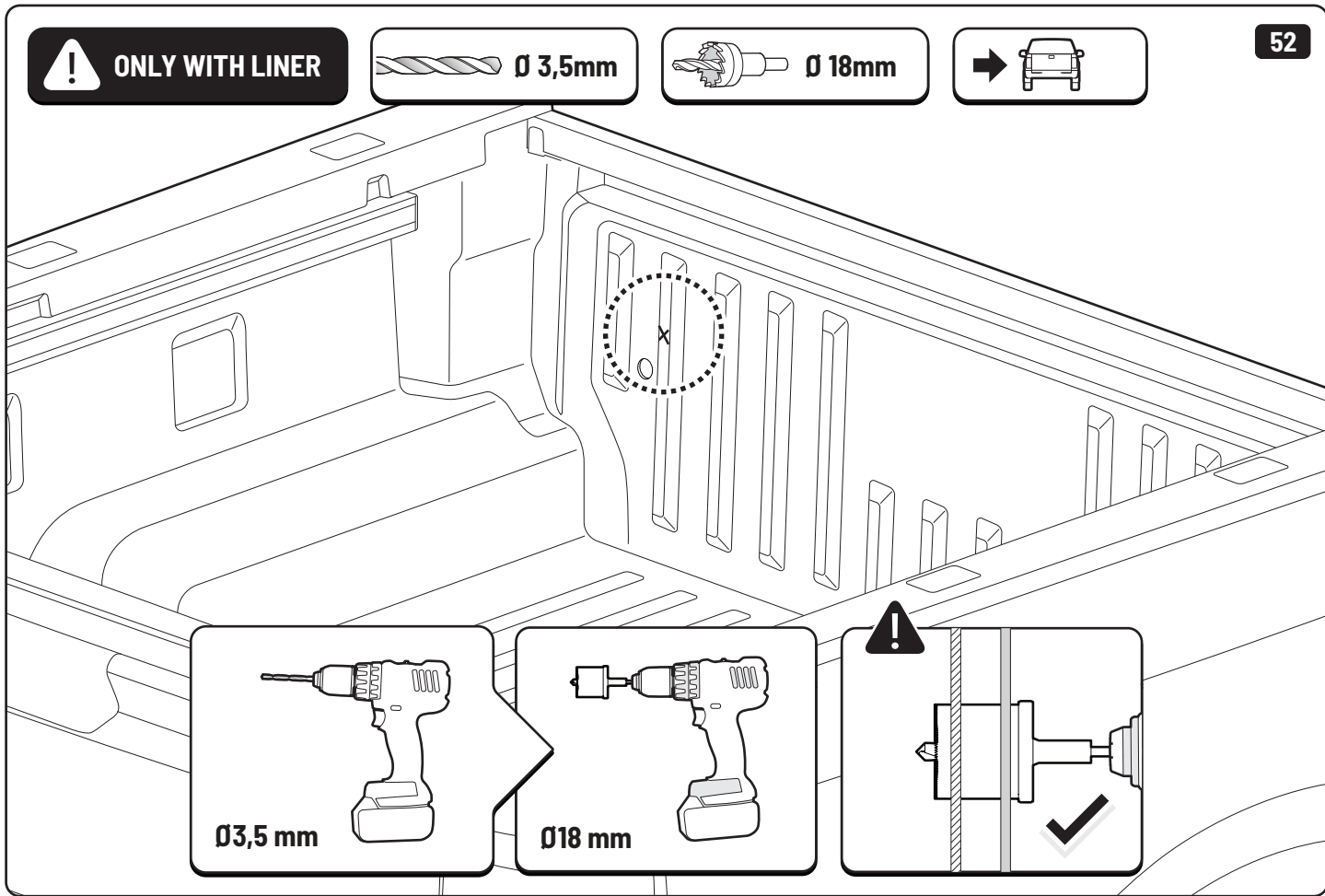
**! ONLY WITH LINER**



**!** ONLY WITH LINER



52



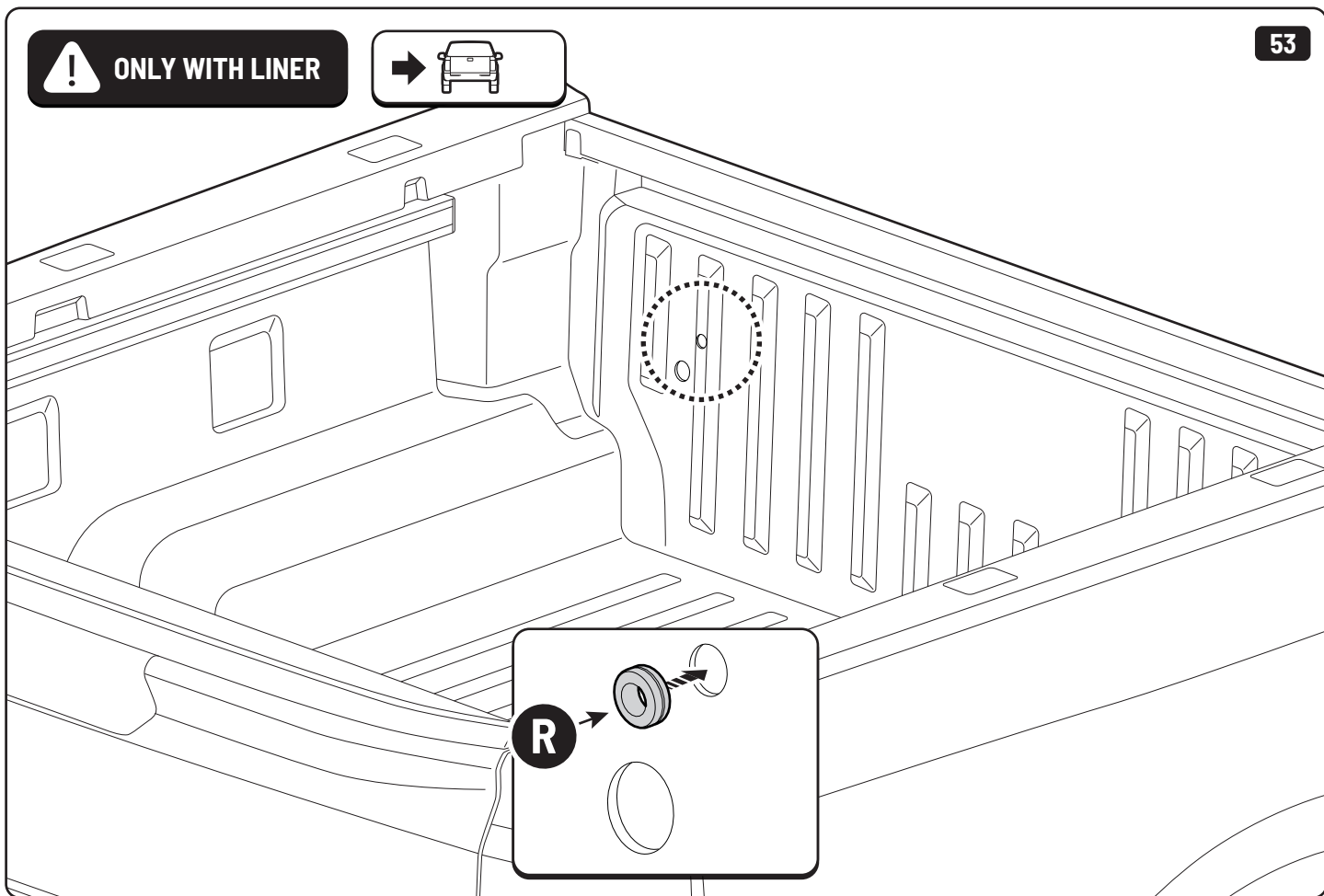
Ø3,5 mm

Ø18 mm

**!** ONLY WITH LINER



53



**R**

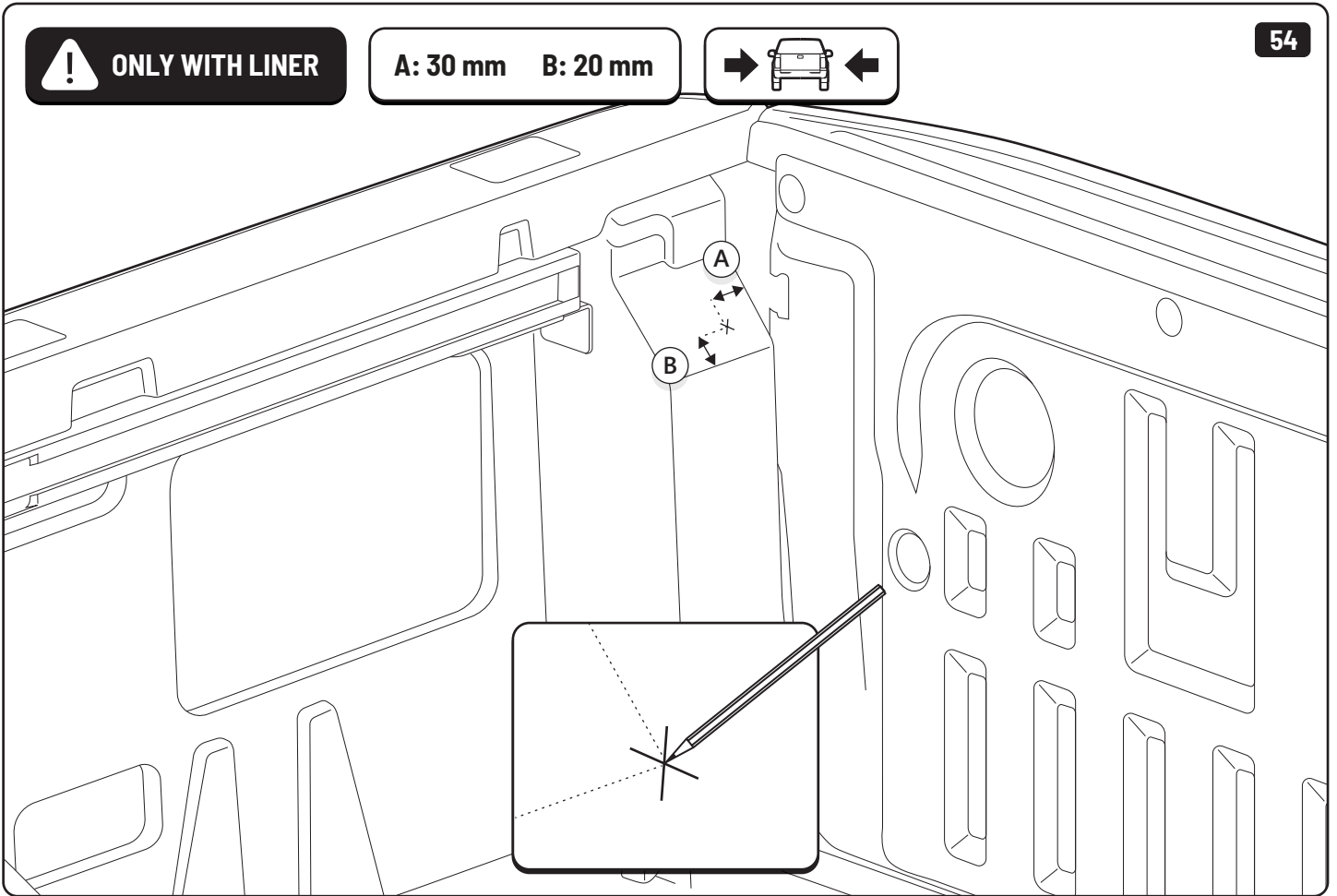


**ONLY WITH LINER**

**A: 30 mm B: 20 mm**



**54**



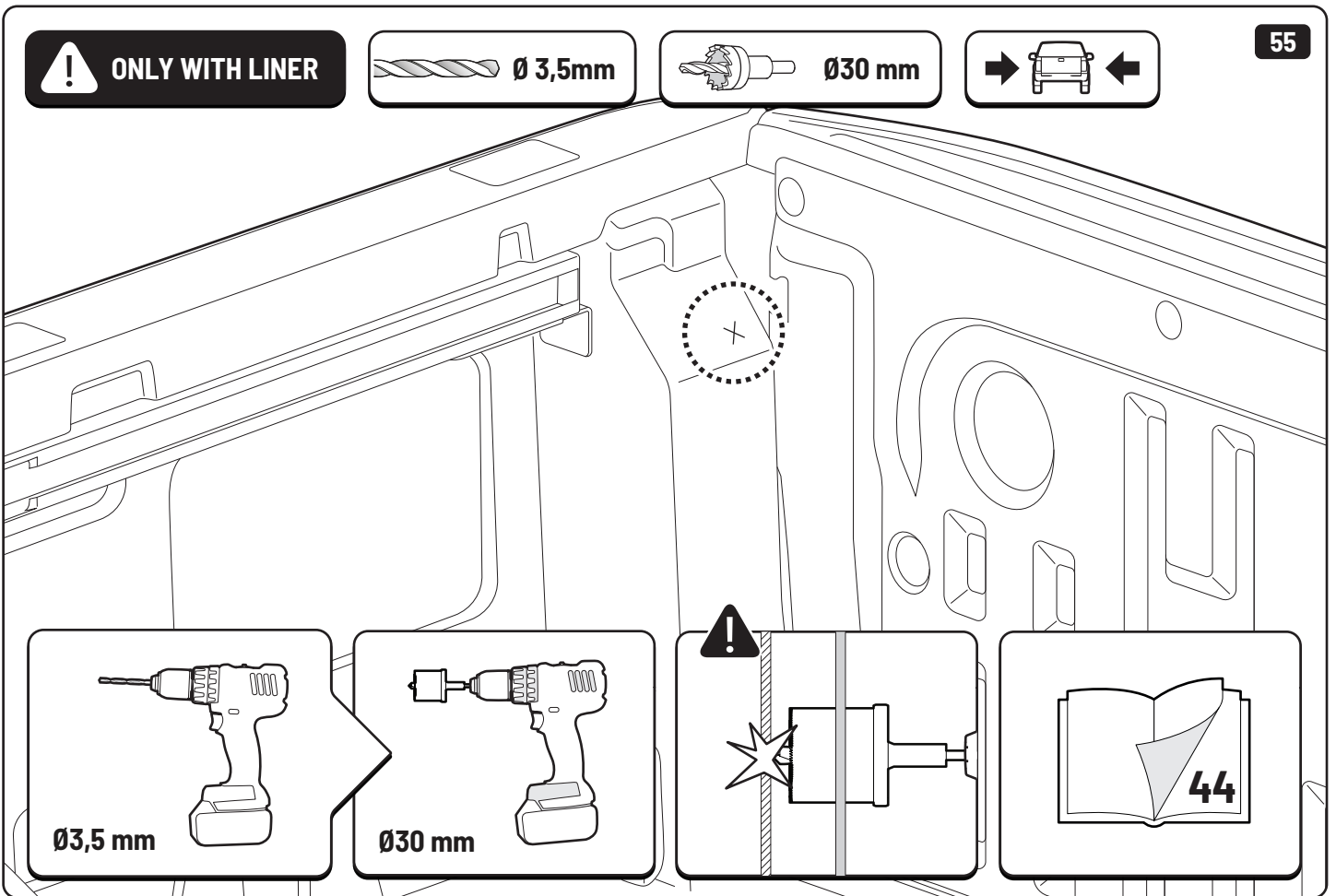
**ONLY WITH LINER**

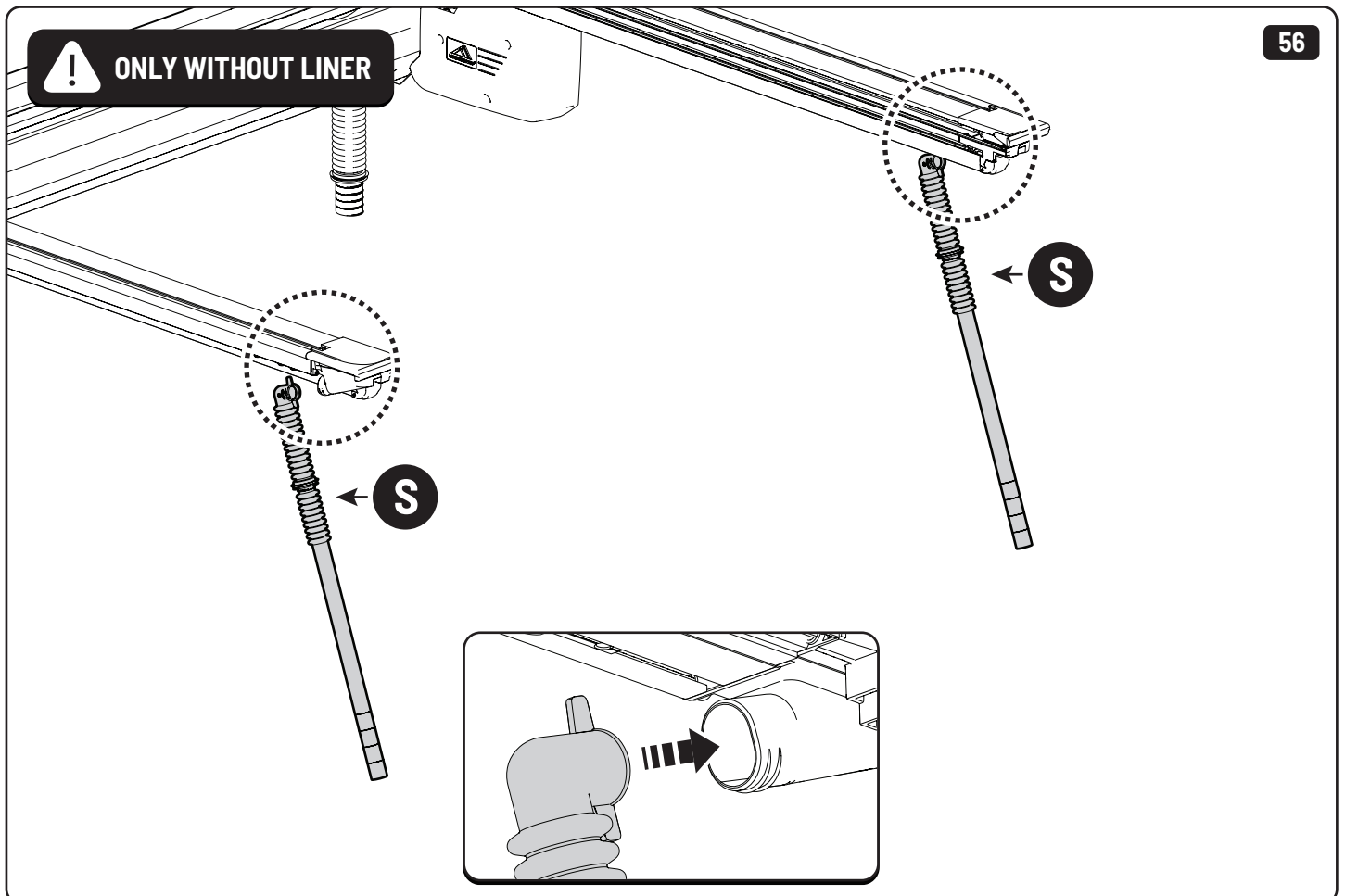
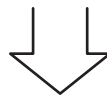
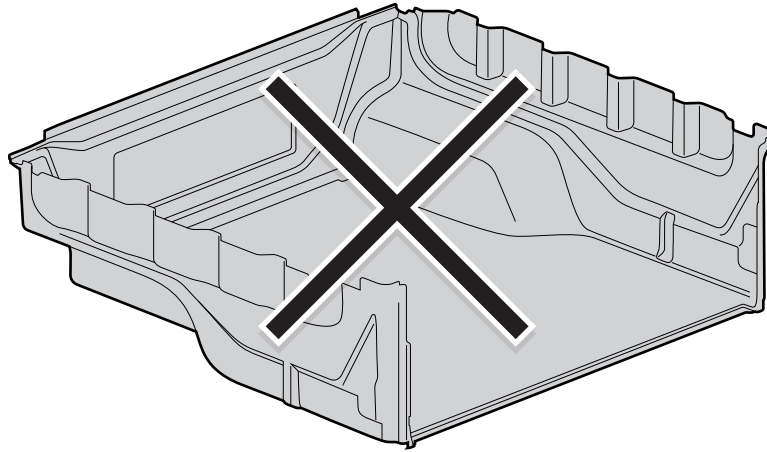
 **Ø 3,5mm**

 **Ø30 mm**



**55**

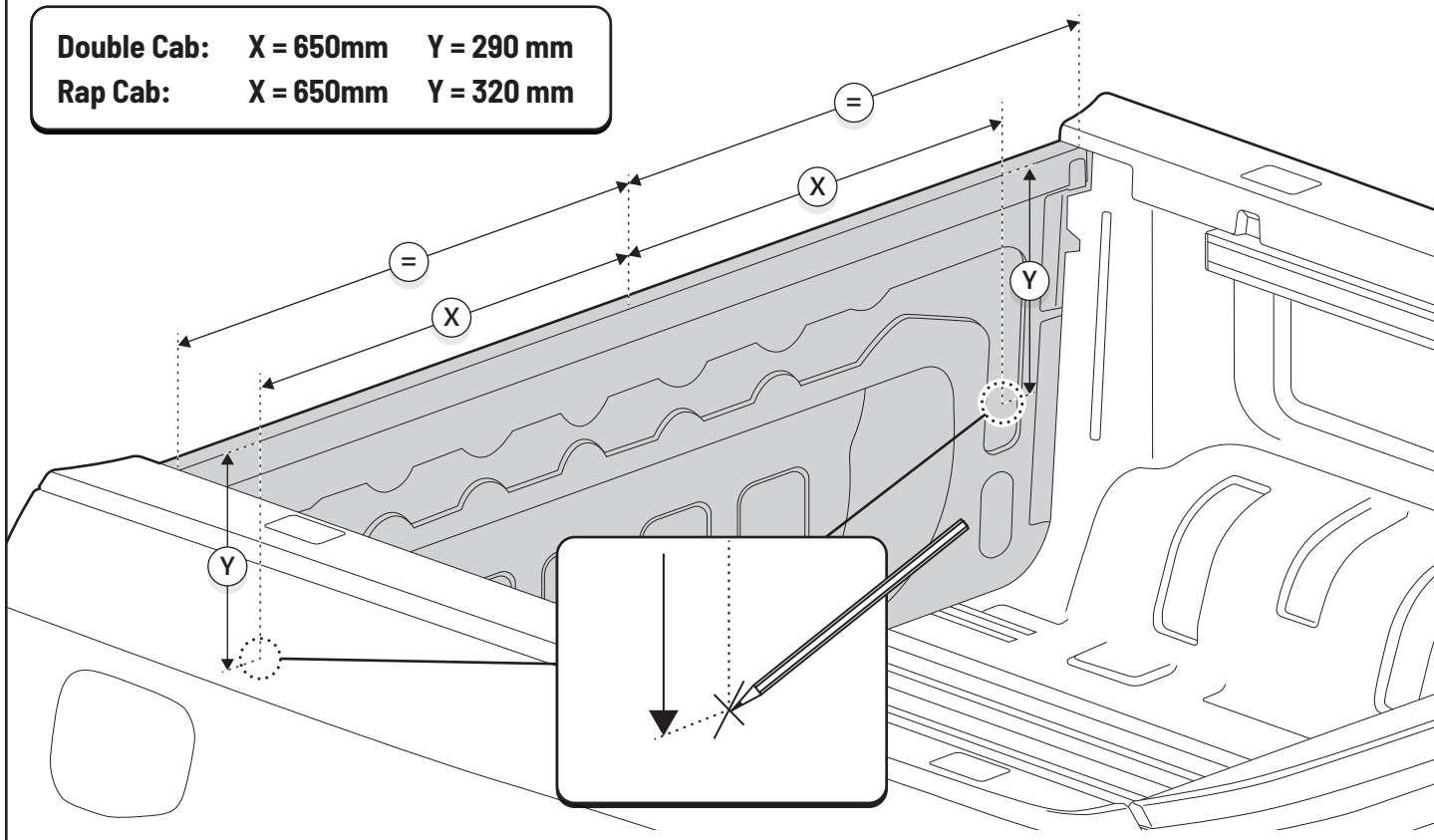




**!** ONLY WITHOUT LINER

**!** EUROPEAN MODEL

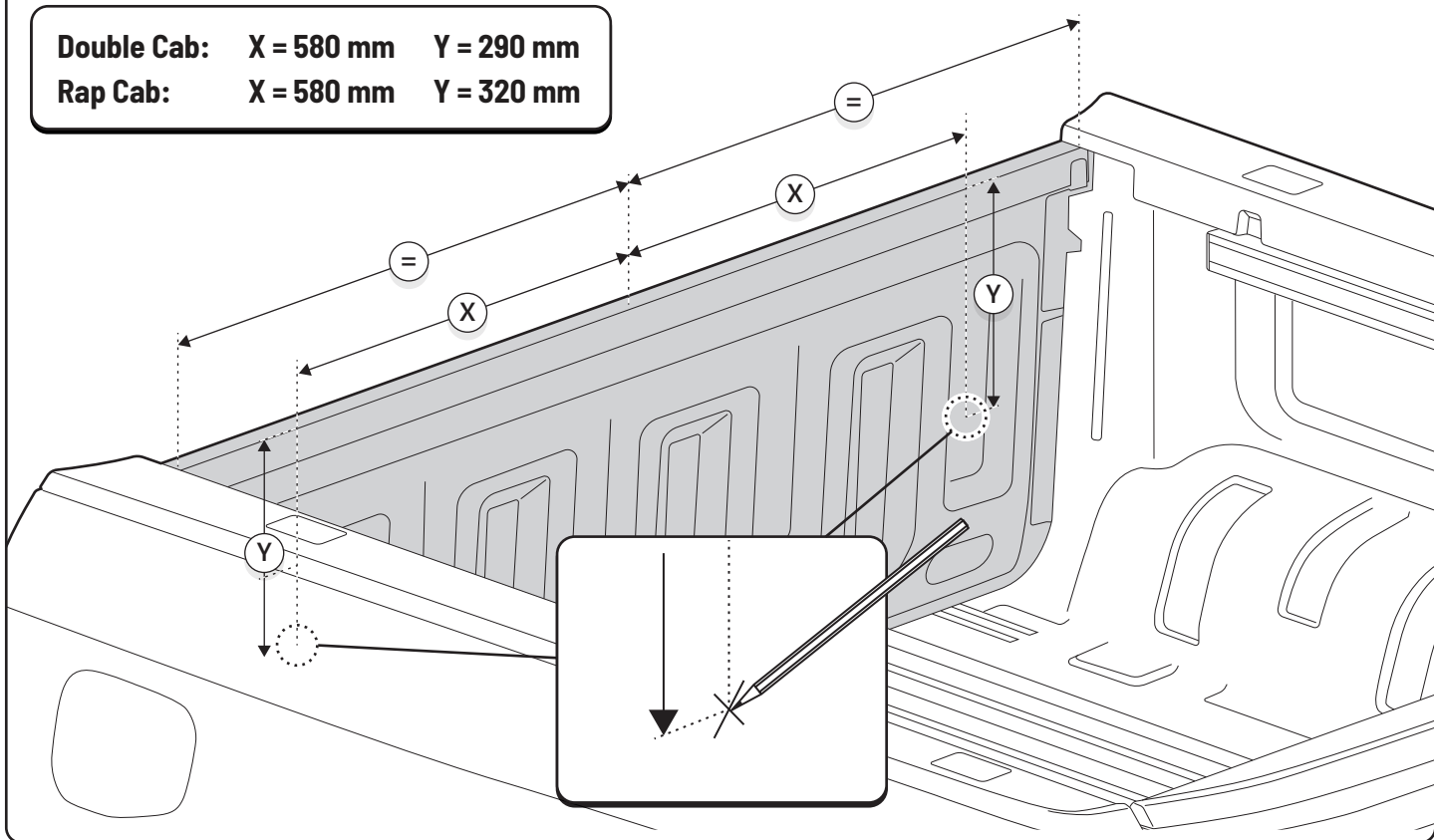
**Double Cab:** X = 650mm Y = 290 mm  
**Rap Cab:** X = 650mm Y = 320 mm



**!** ONLY WITHOUT LINER

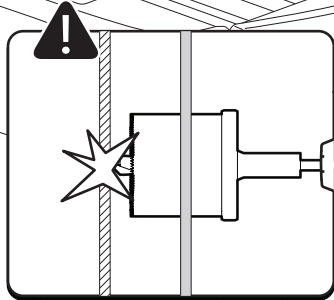
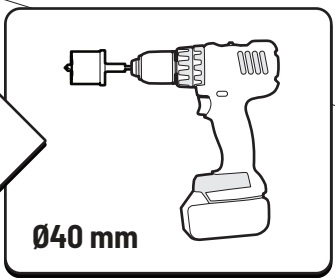
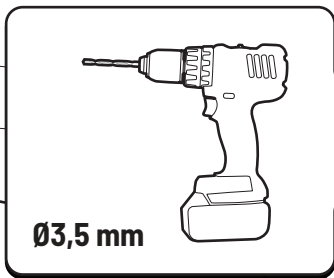
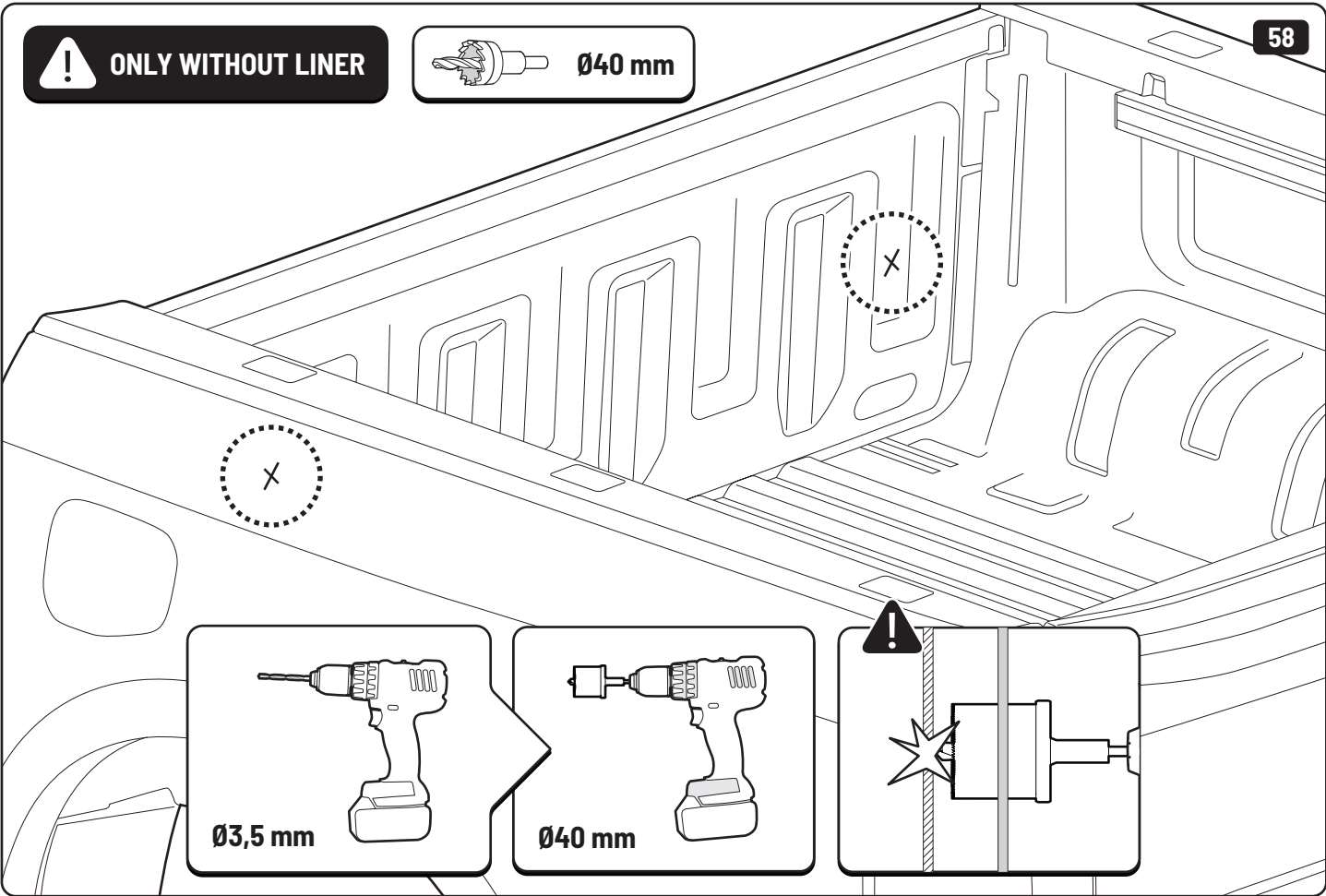
**!** OTHER MODELS

**Double Cab:** X = 580 mm Y = 290 mm  
**Rap Cab:** X = 580 mm Y = 320 mm



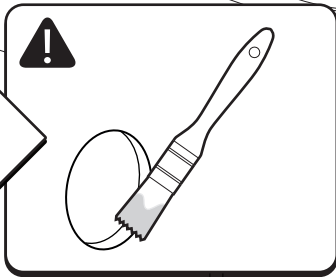
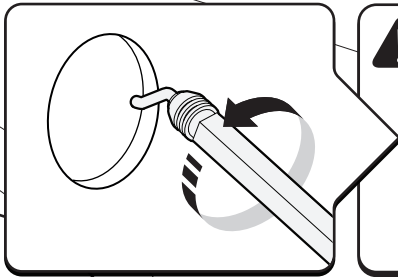
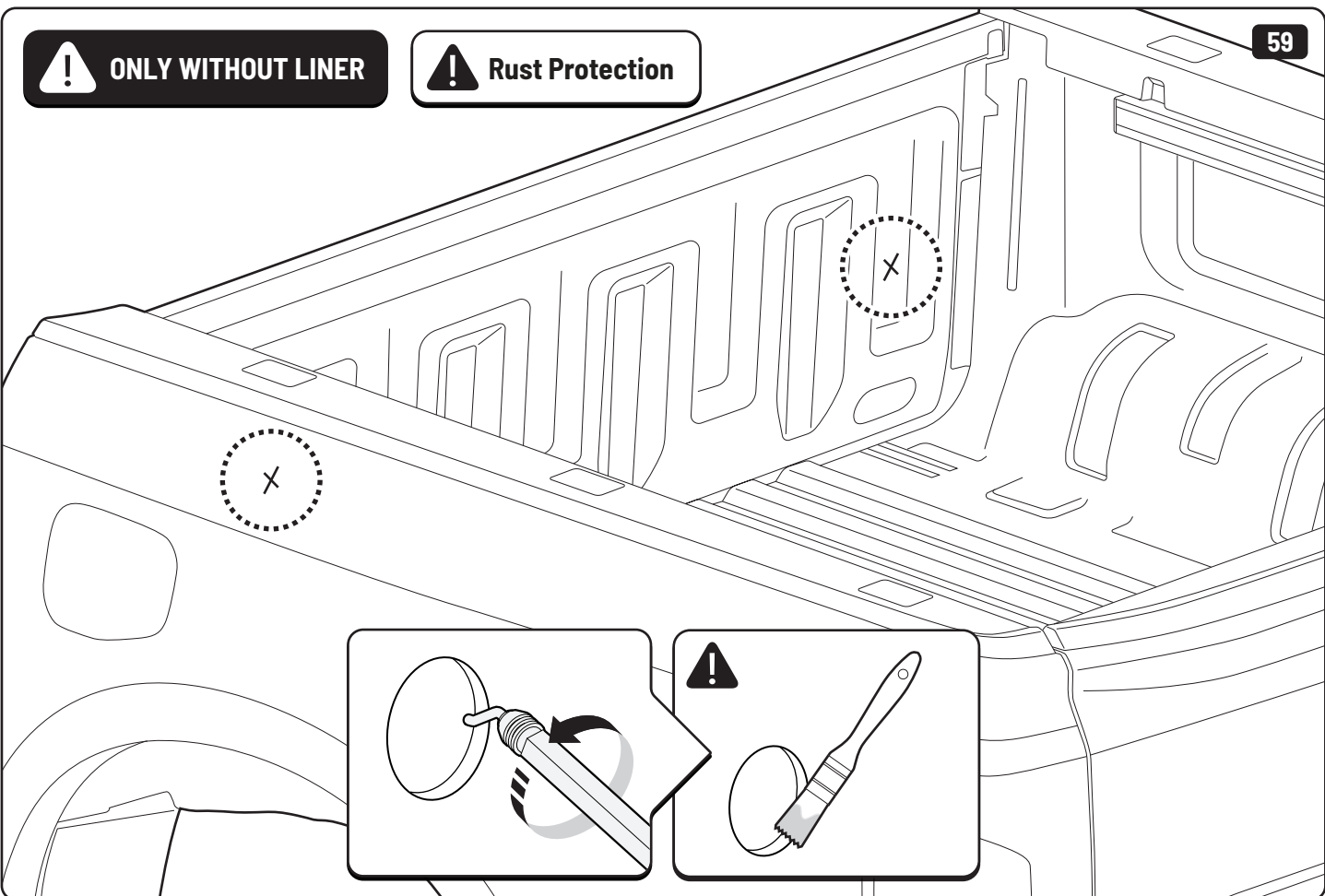
**!** ONLY WITHOUT LINER

 **Ø40 mm**



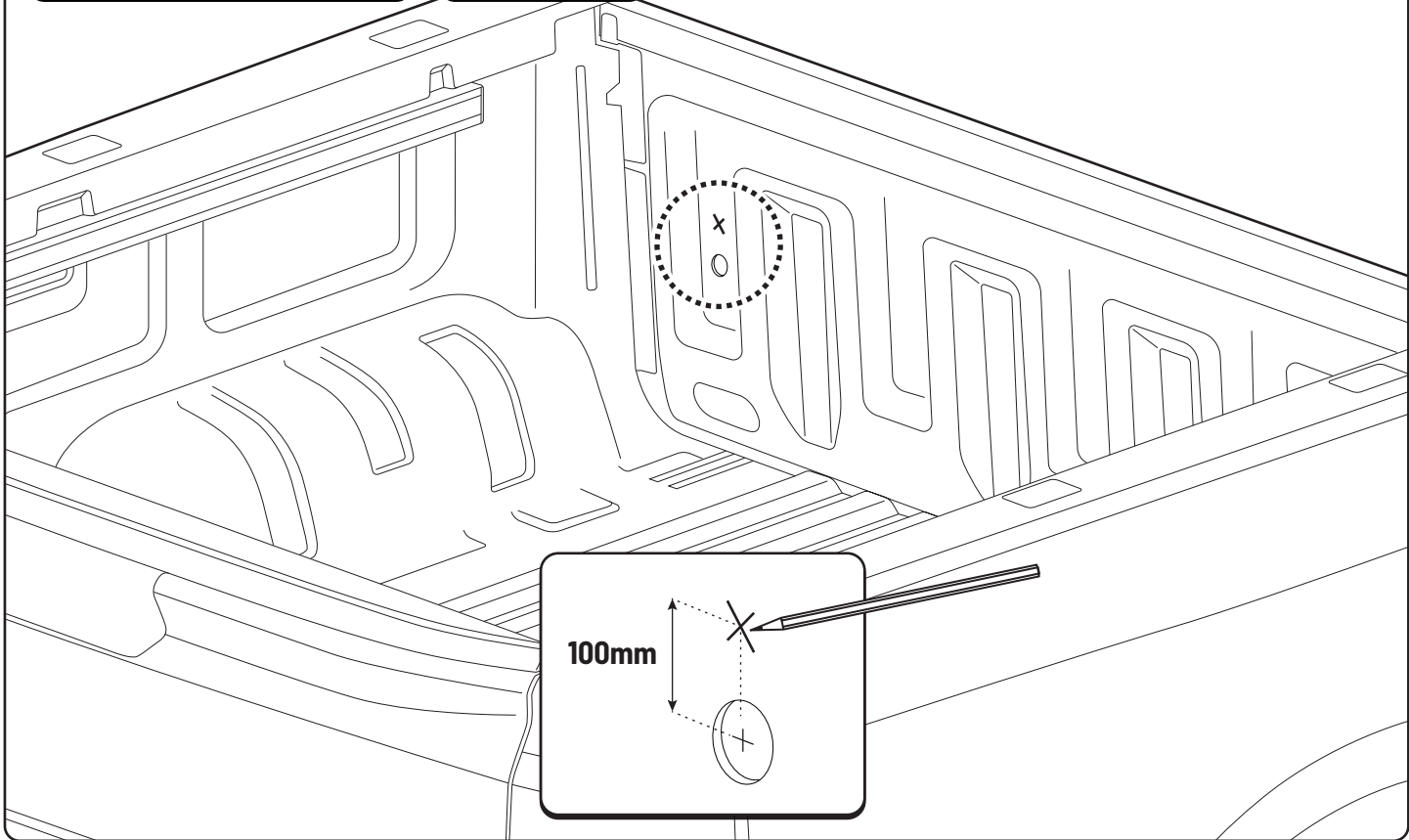
**!** ONLY WITHOUT LINER

**!** Rust Protection

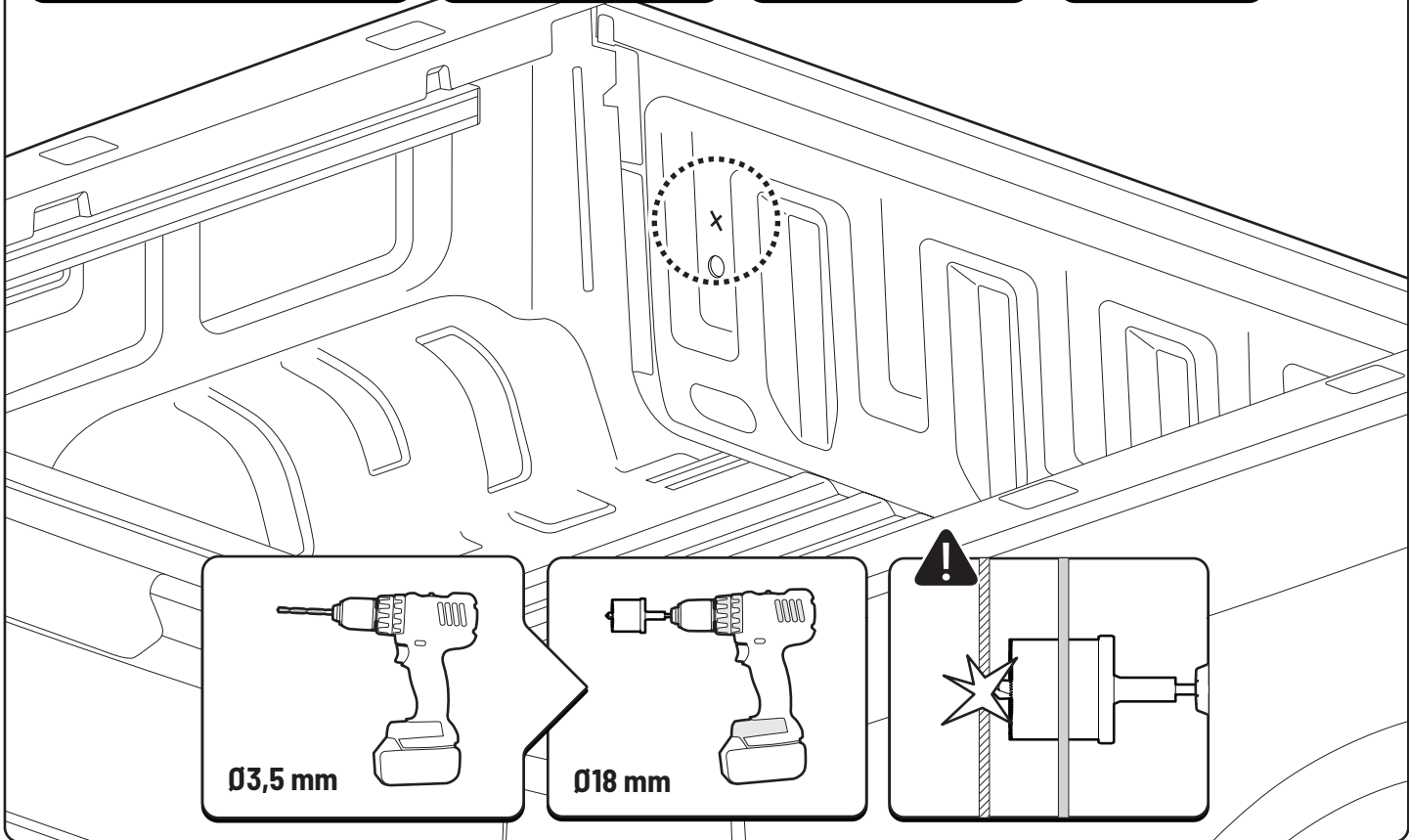
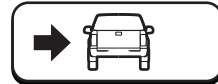
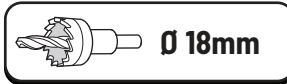




**!** ONLY WITHOUT LINER



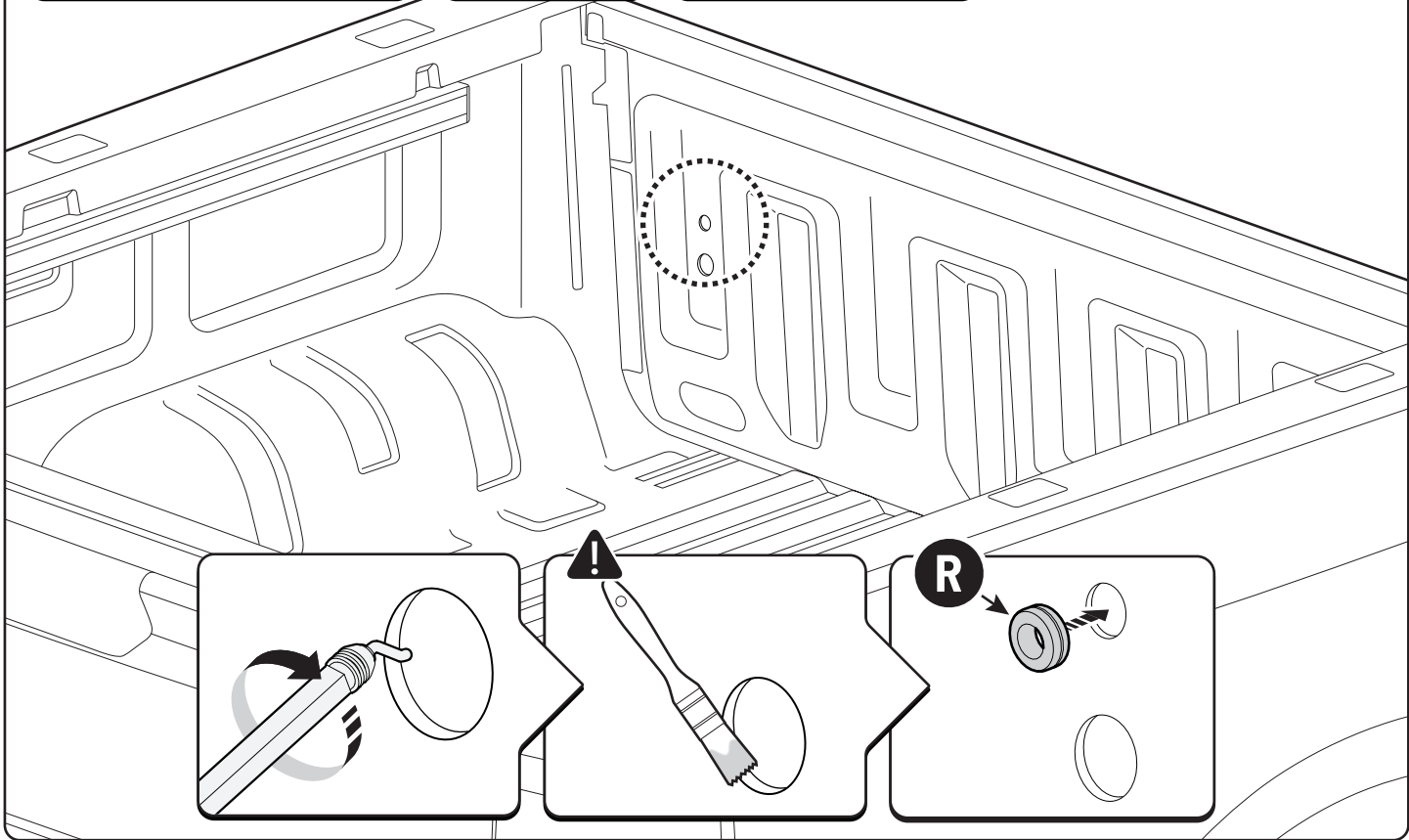
**!** ONLY WITHOUT LINER



**!** ONLY WITHOUT LINER

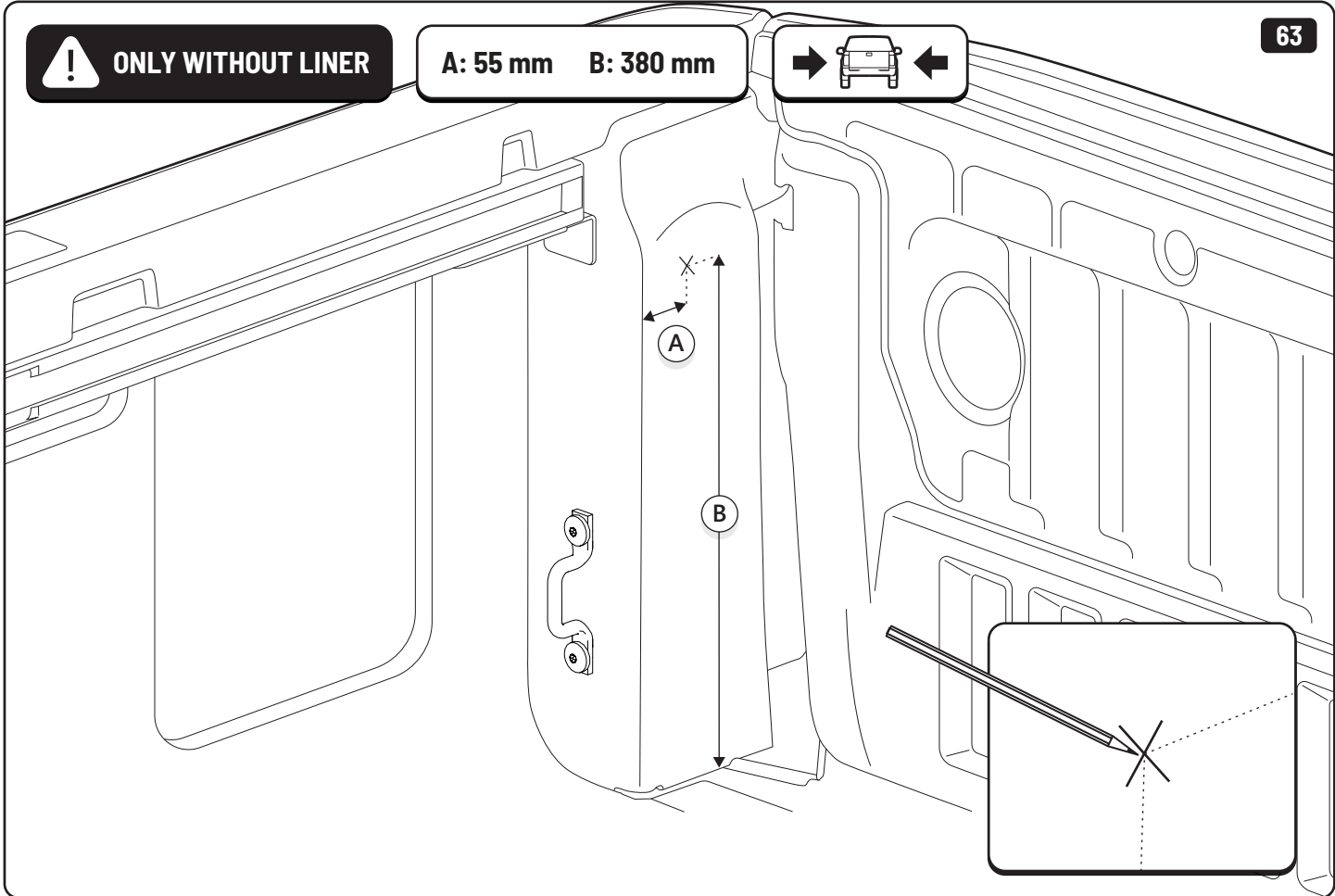


**!** Rust Protection

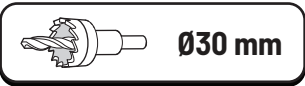


**!** ONLY WITHOUT LINER

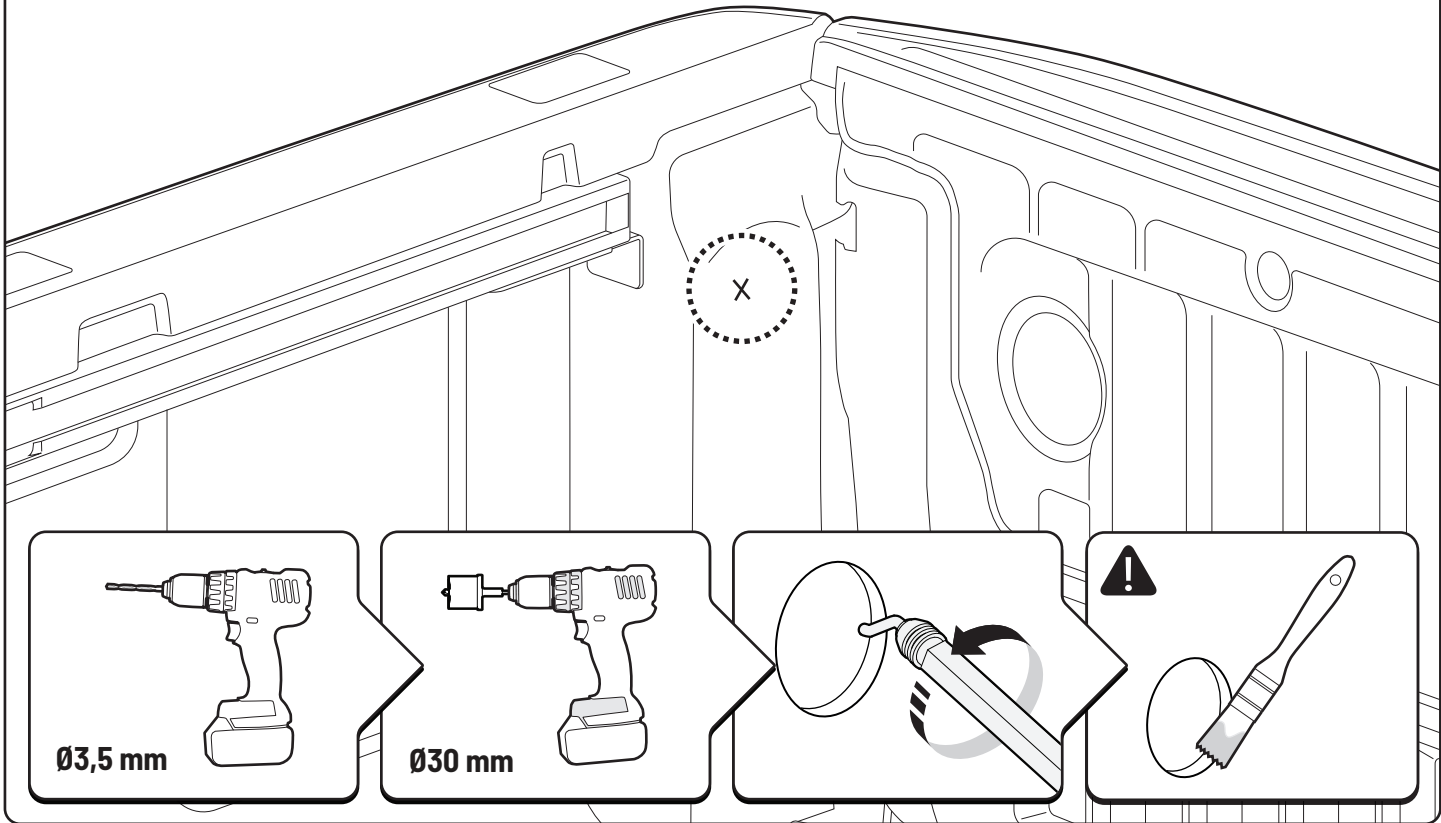
A: 55 mm B: 380 mm



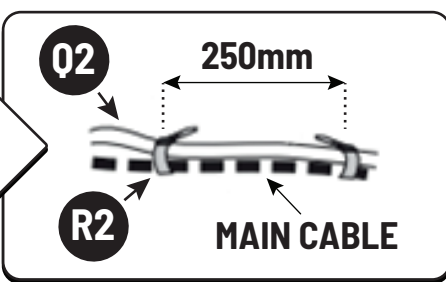
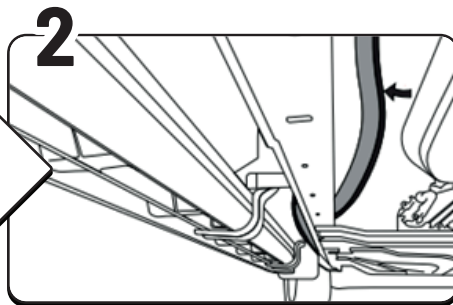
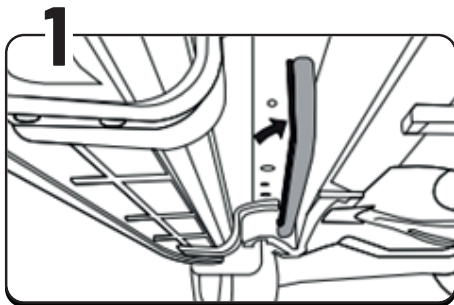
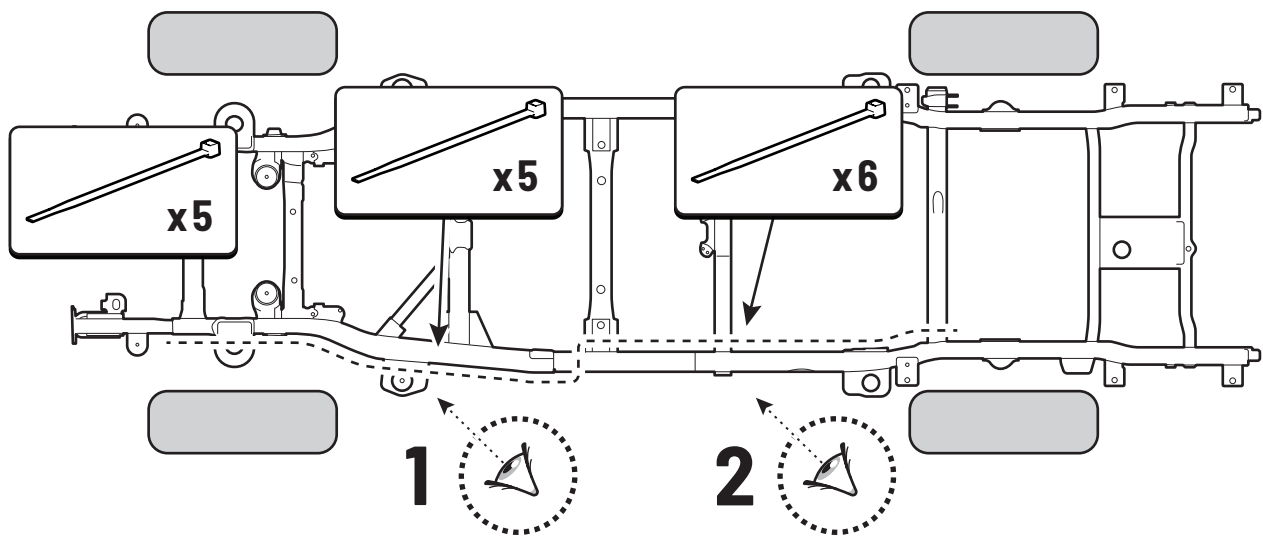
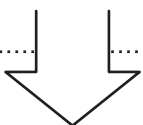
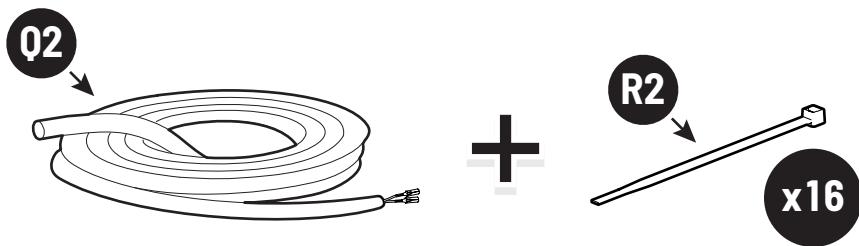
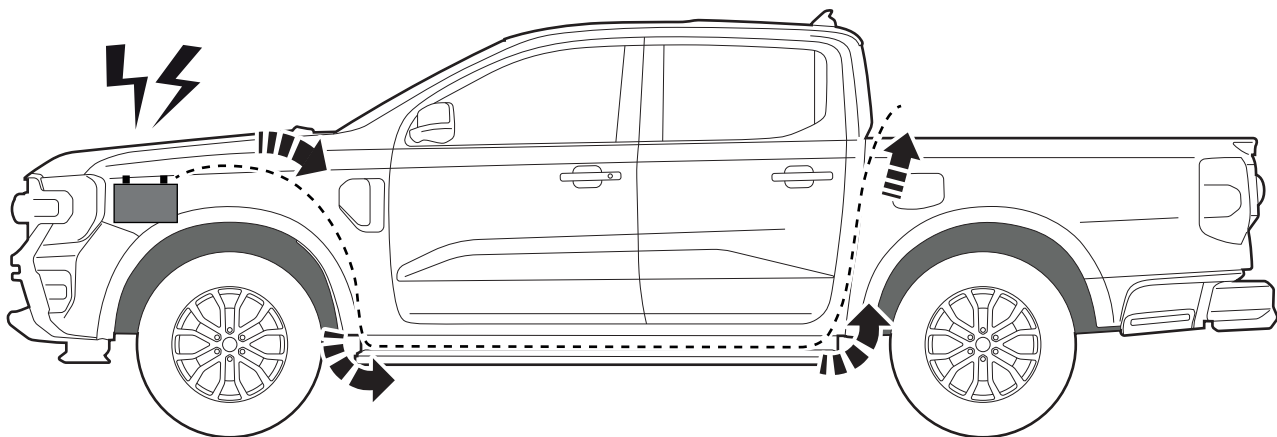
**!** ONLY WITHOUT LINER

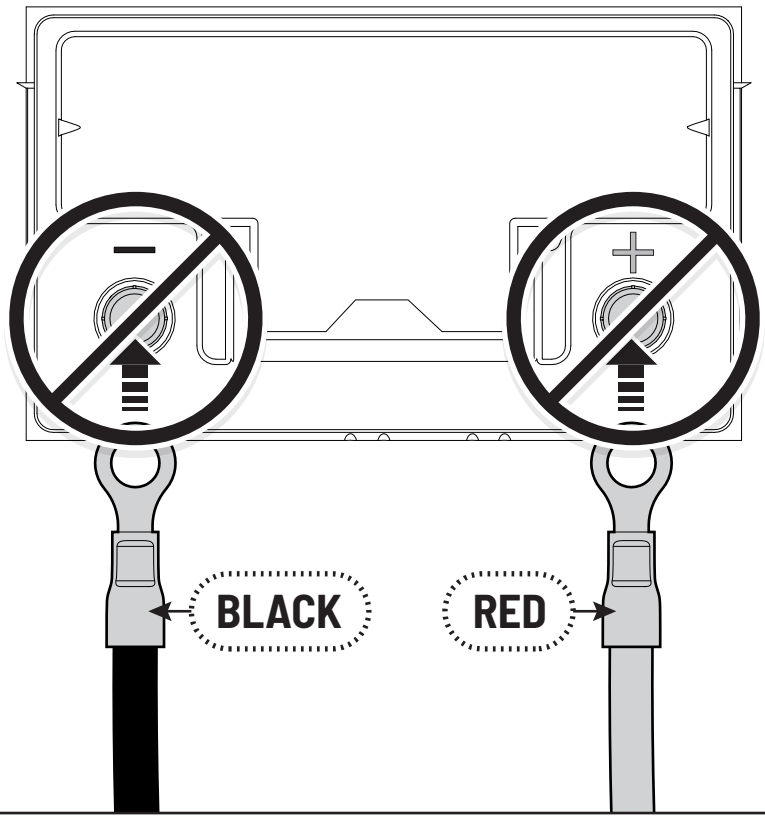
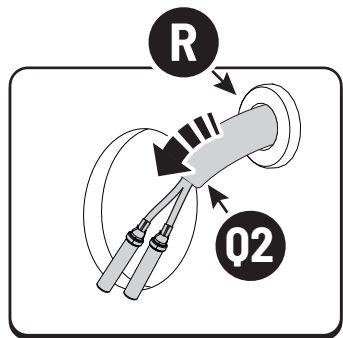
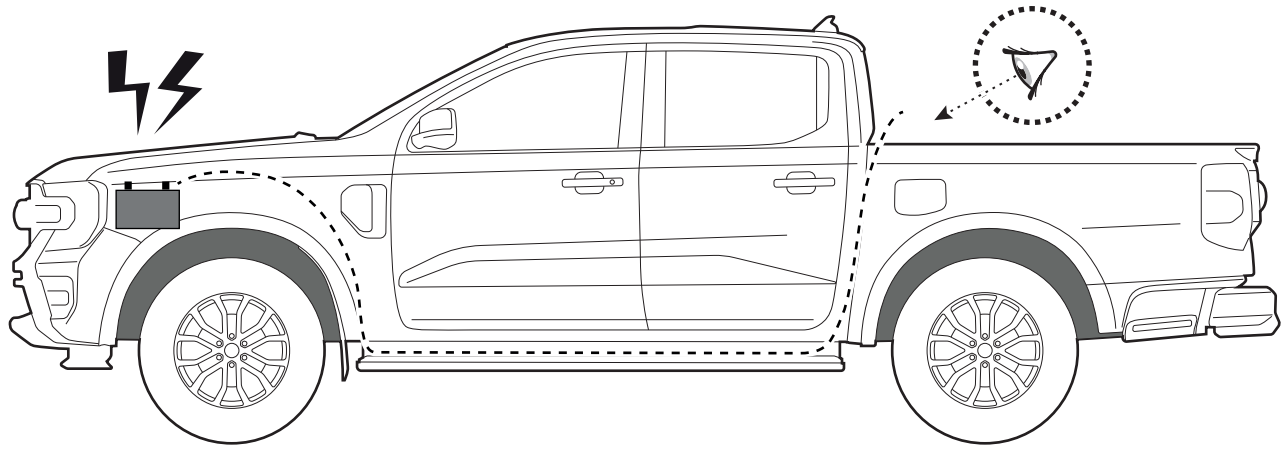


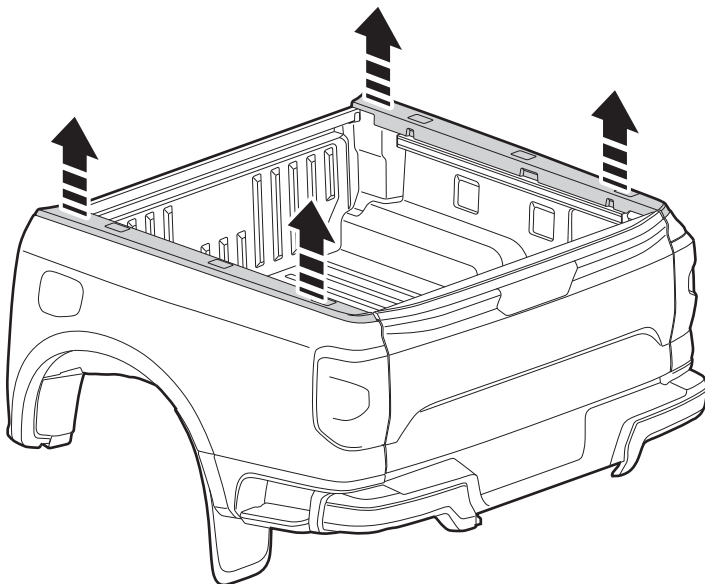
**!** Rust Protection



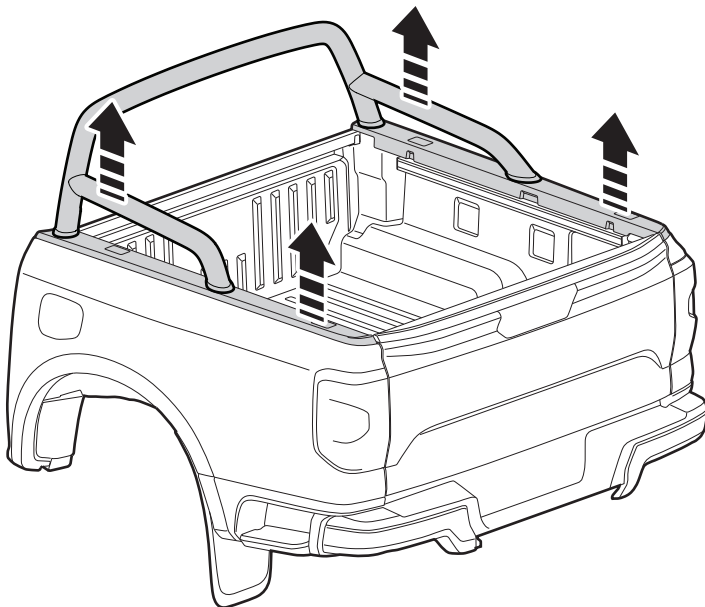
**! ONLY TO BE INSTALLED BY AUTHORIZED PERSONNEL**



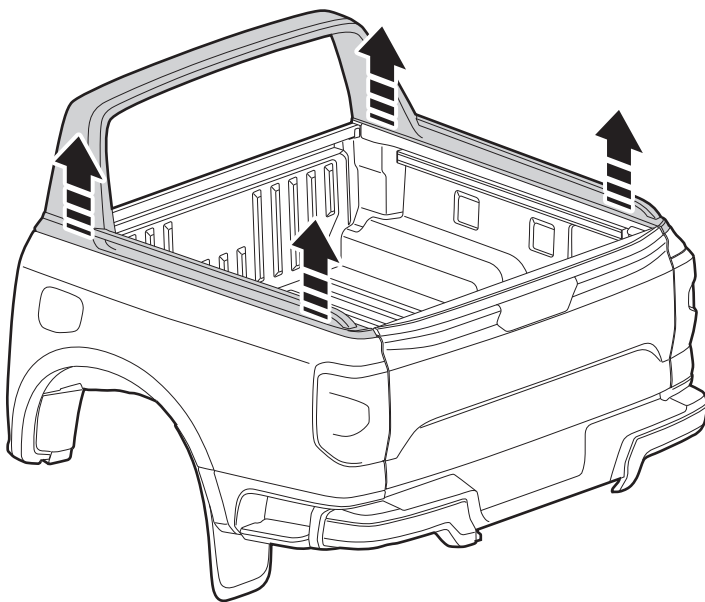




**Ford XLT / Raptor**



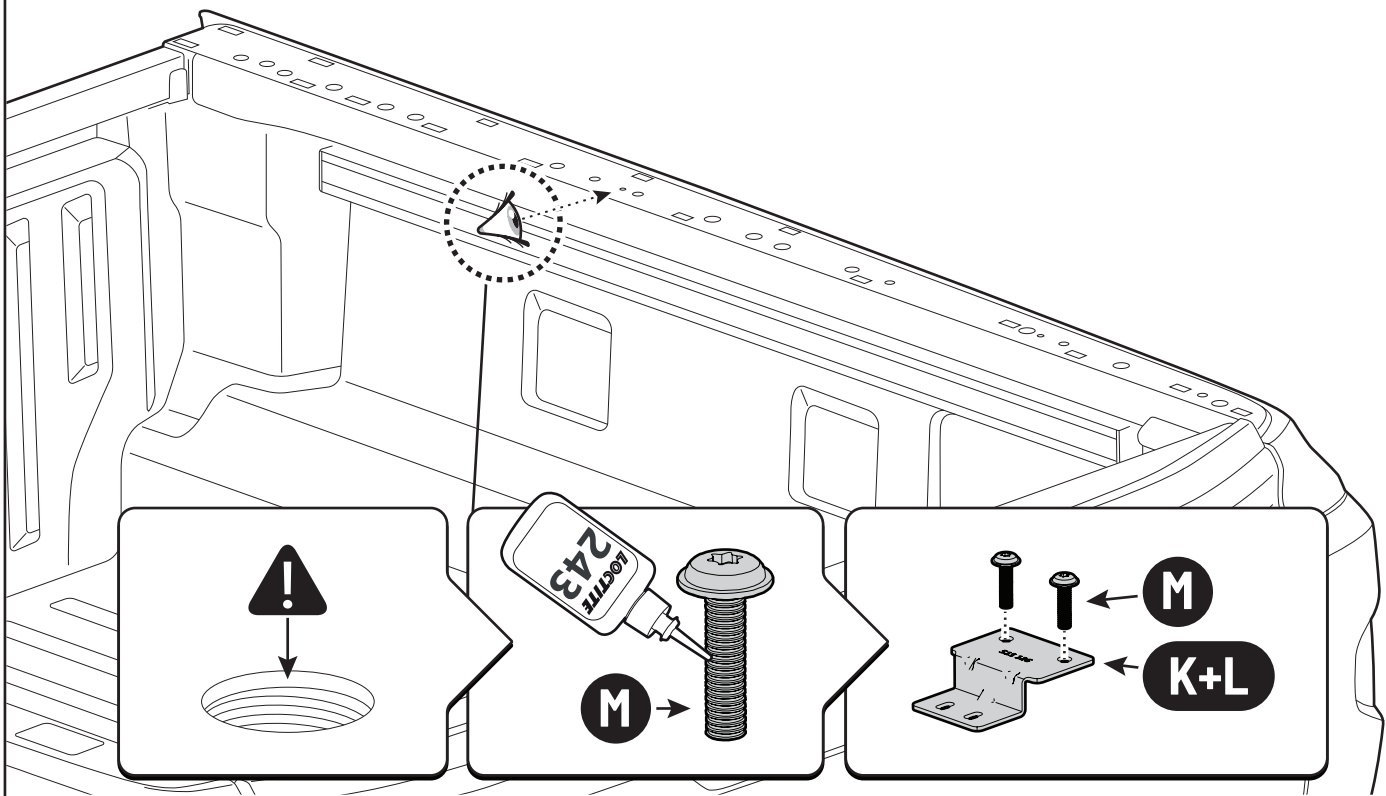
**Ford XLT / Raptor**



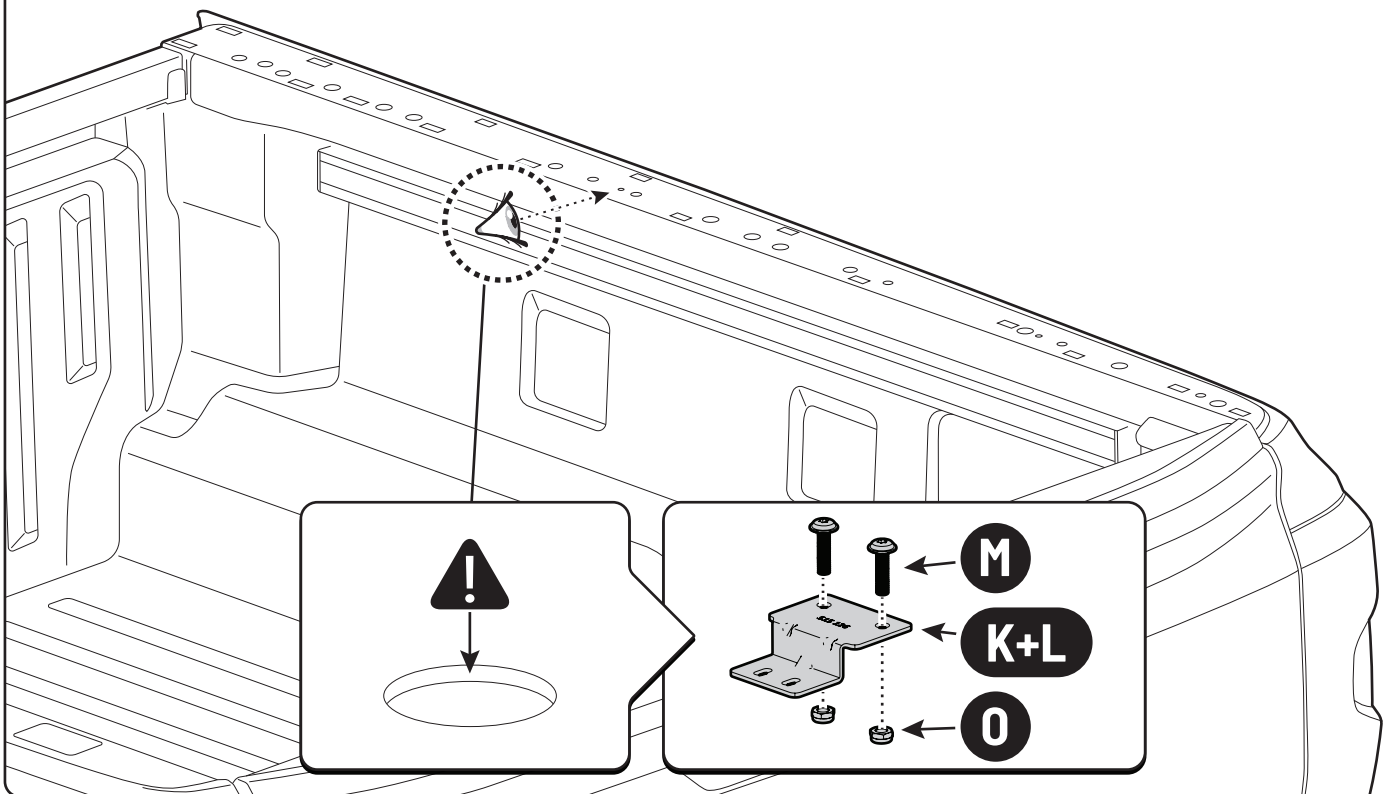
**Ford Wildtrak**

**! ONLY FOR THREADED HOLES**

**LOCTITE 243**

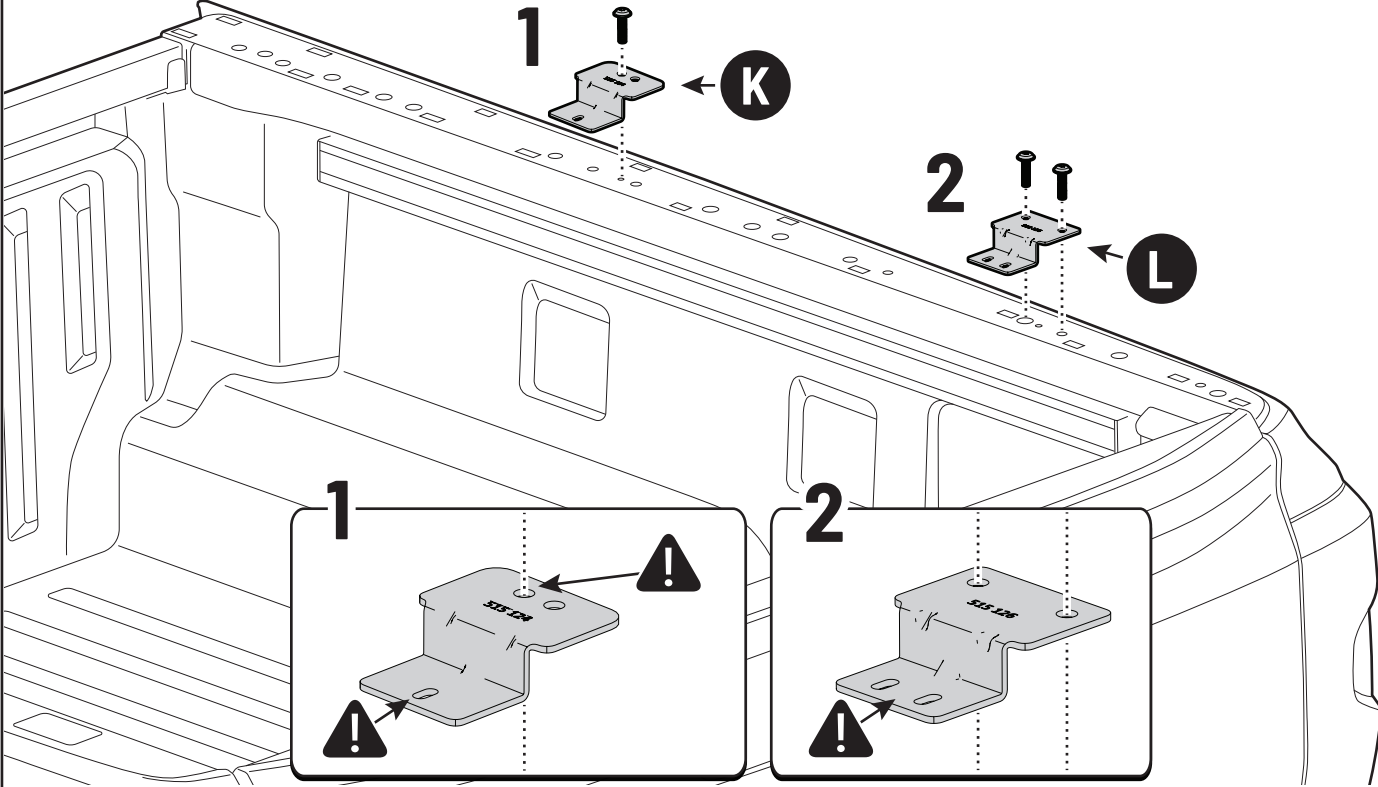


**! ONLY FOR NON-THREADED HOLES**



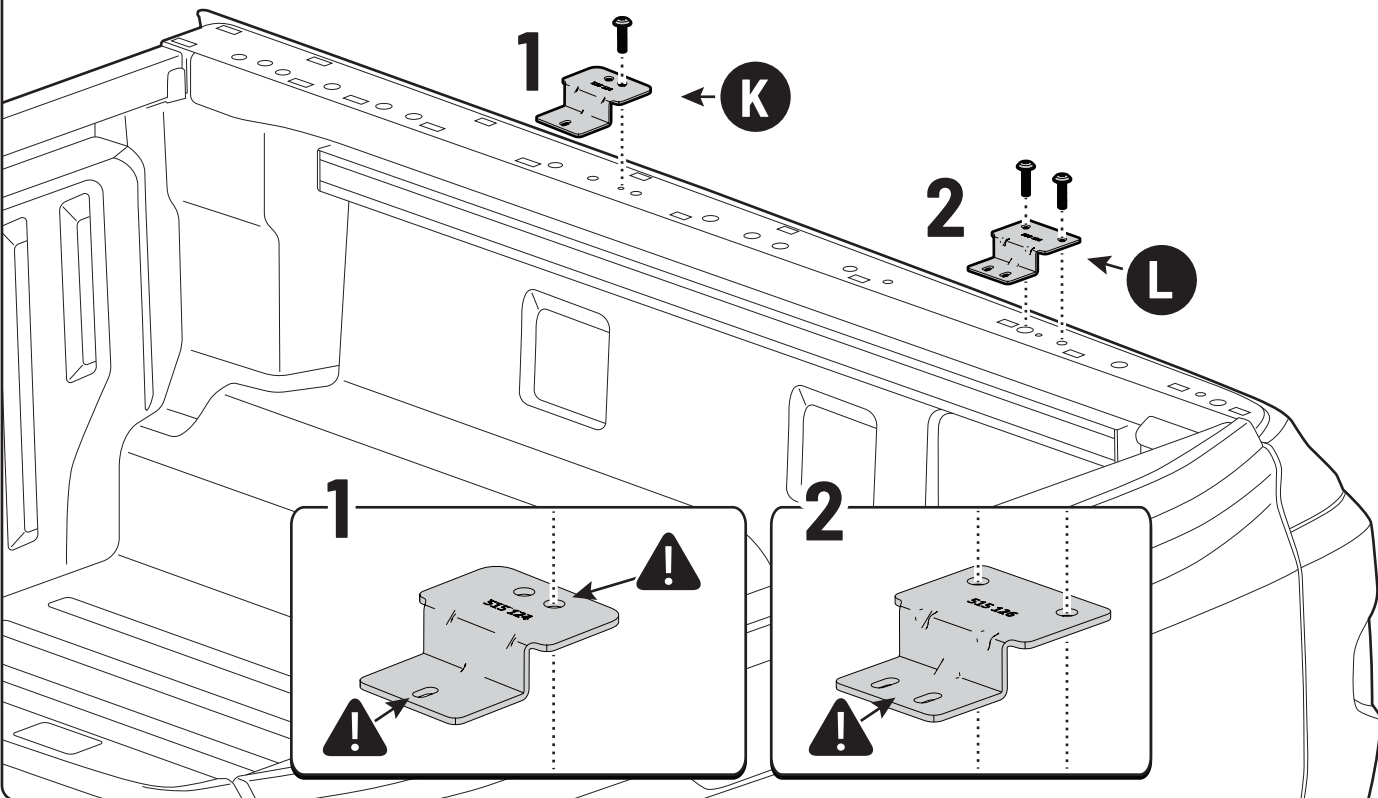
**! FORD XLT / RAPTOR - DOUBLE CAB**

T45 13 mm 25 Nm



**! FORD WILDTRAK - DOUBLE CAB**

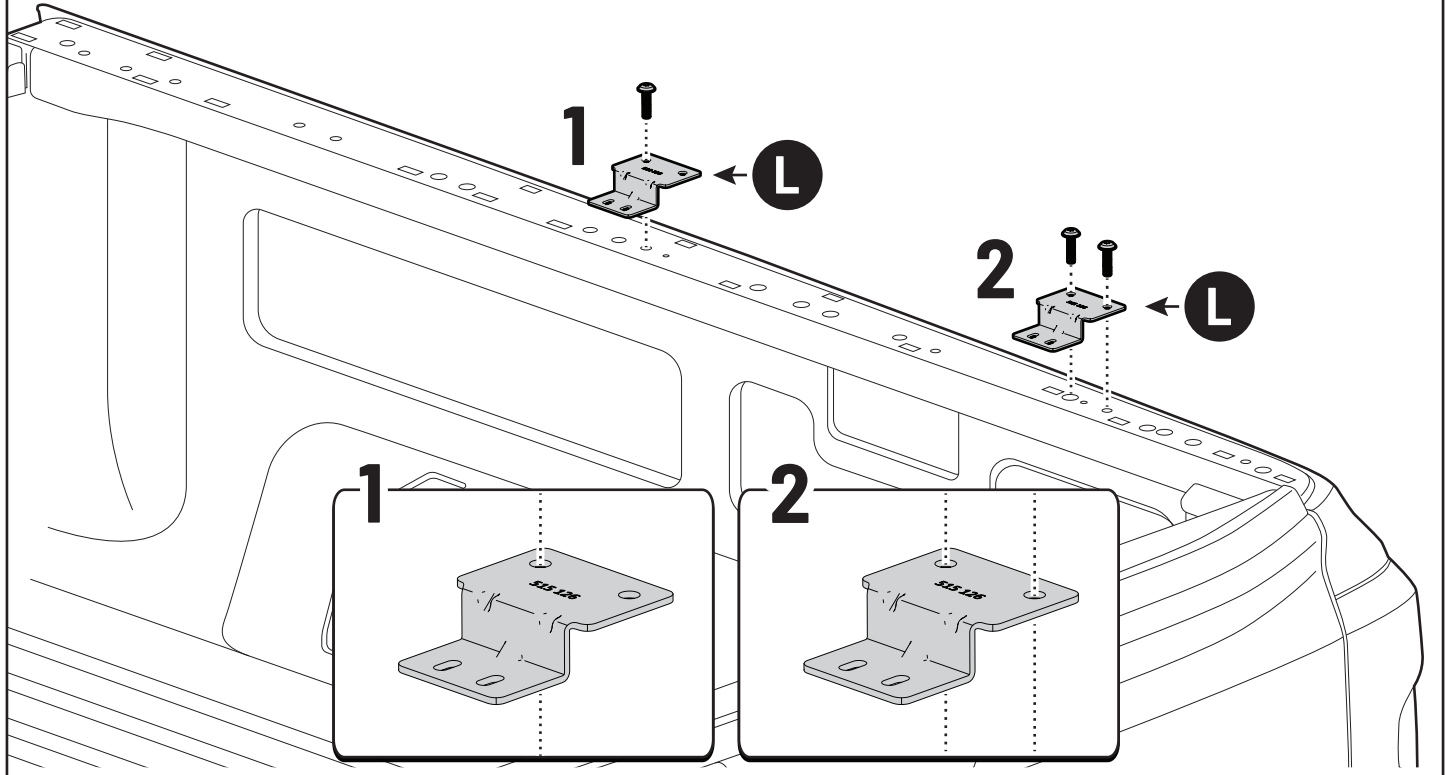
T45 13 mm 25 Nm





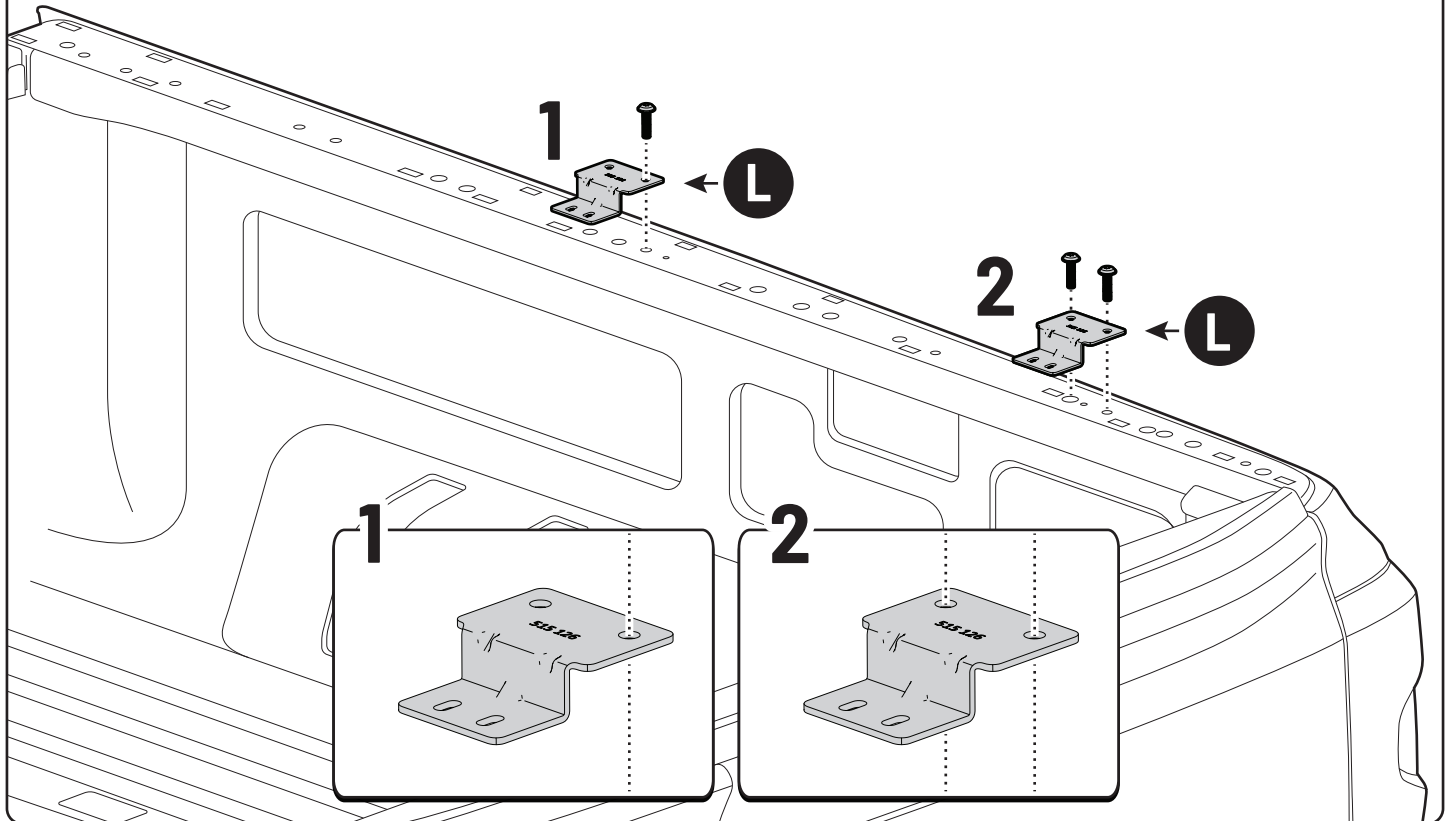
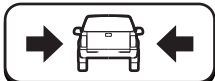
**! WITH SPORTS BAR ACCESSORY - RAP CAB**

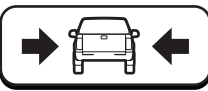
T45 13 mm 25 Nm



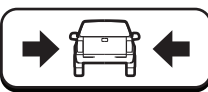
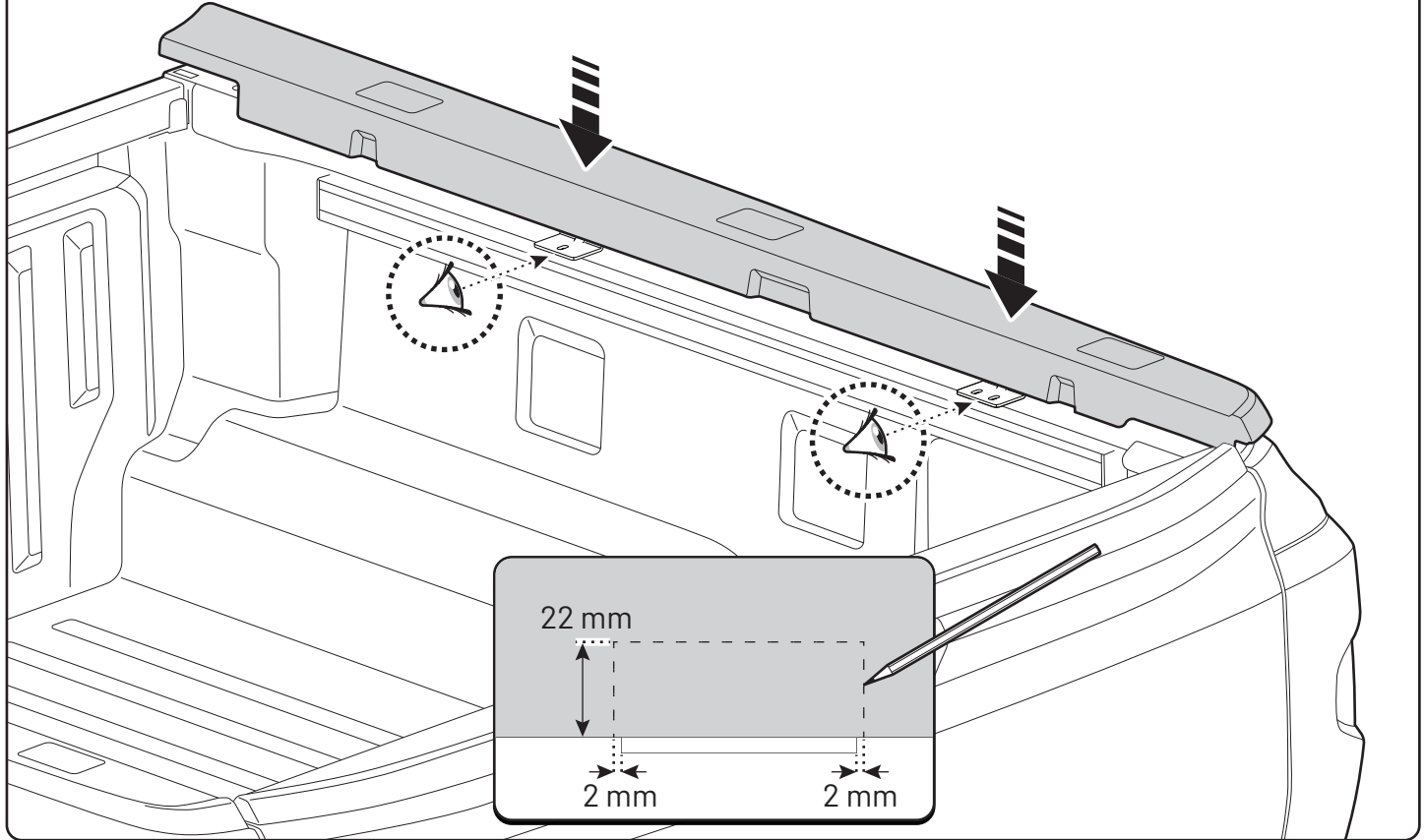
**! WITHOUT SPORTS BAR ACCESSORY - RAP CAB**

T45 13 mm 25 Nm

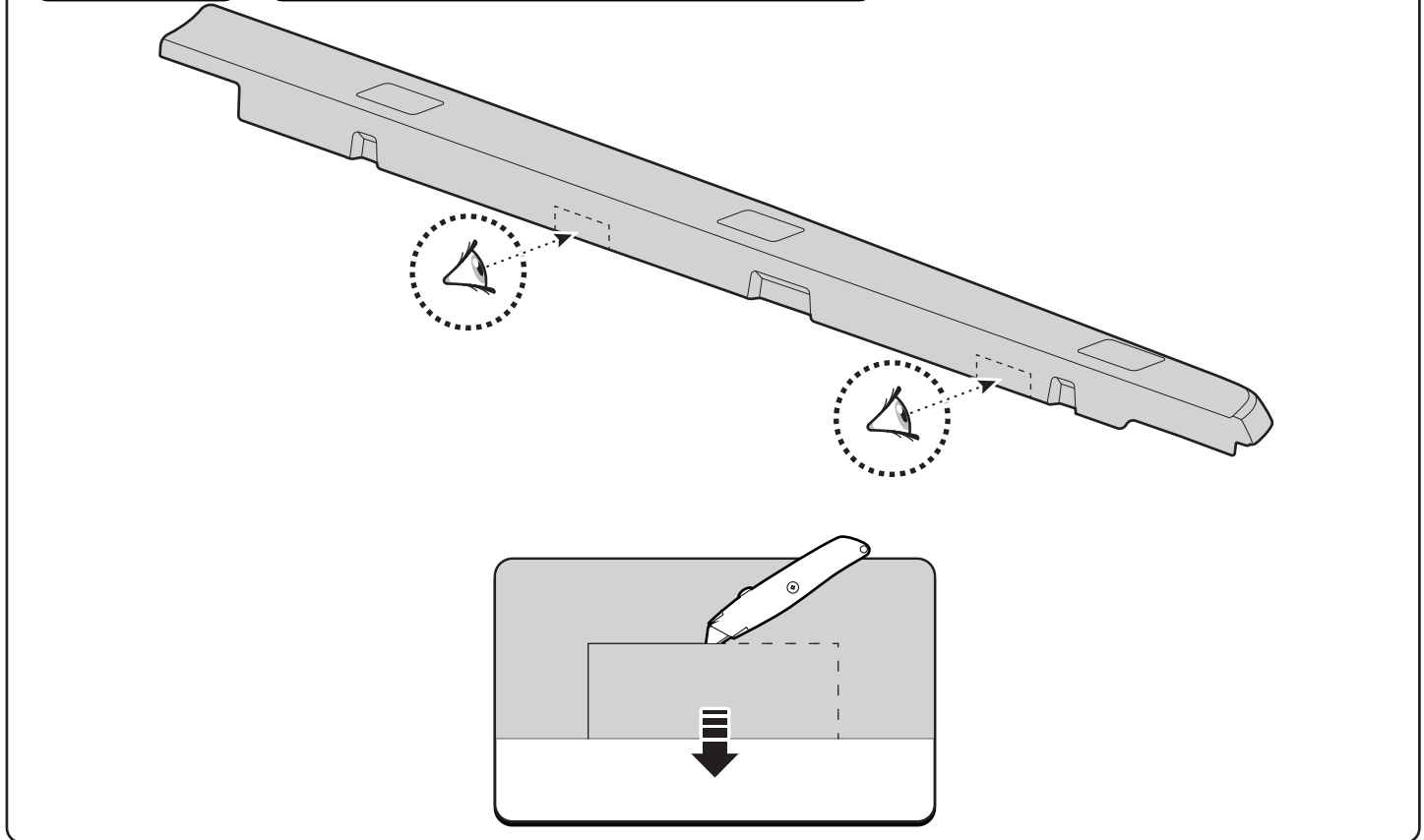


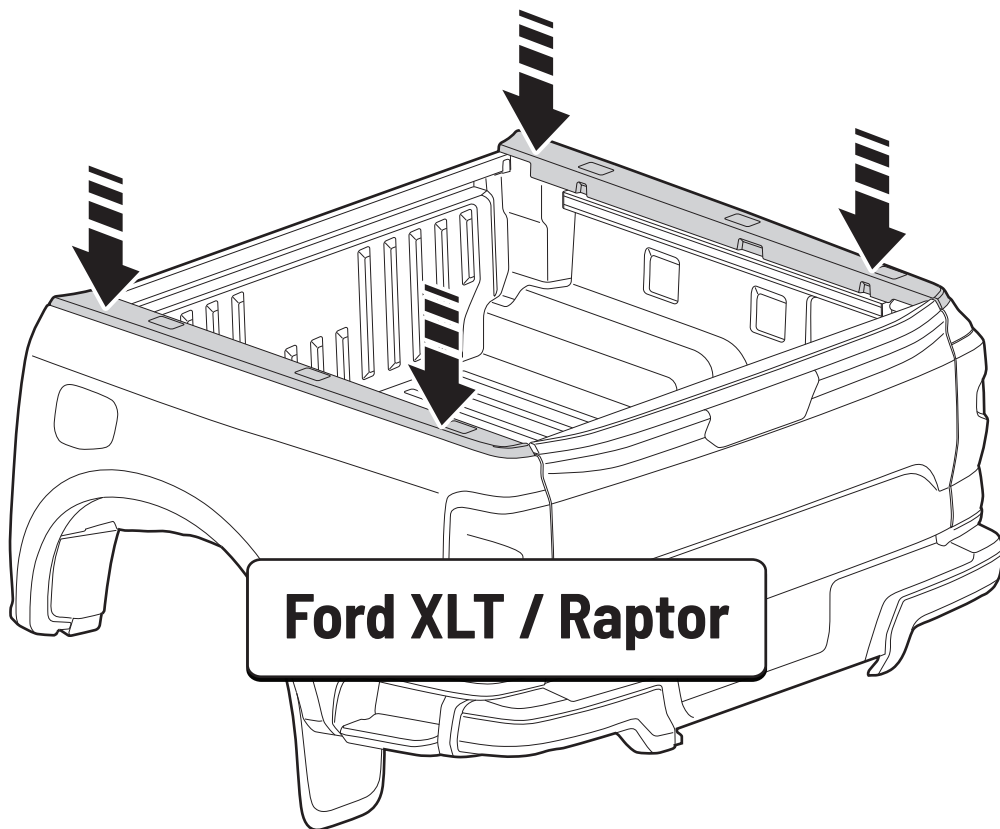


**! ONLY FOR FORD RANGER XLT / RAPTOR**

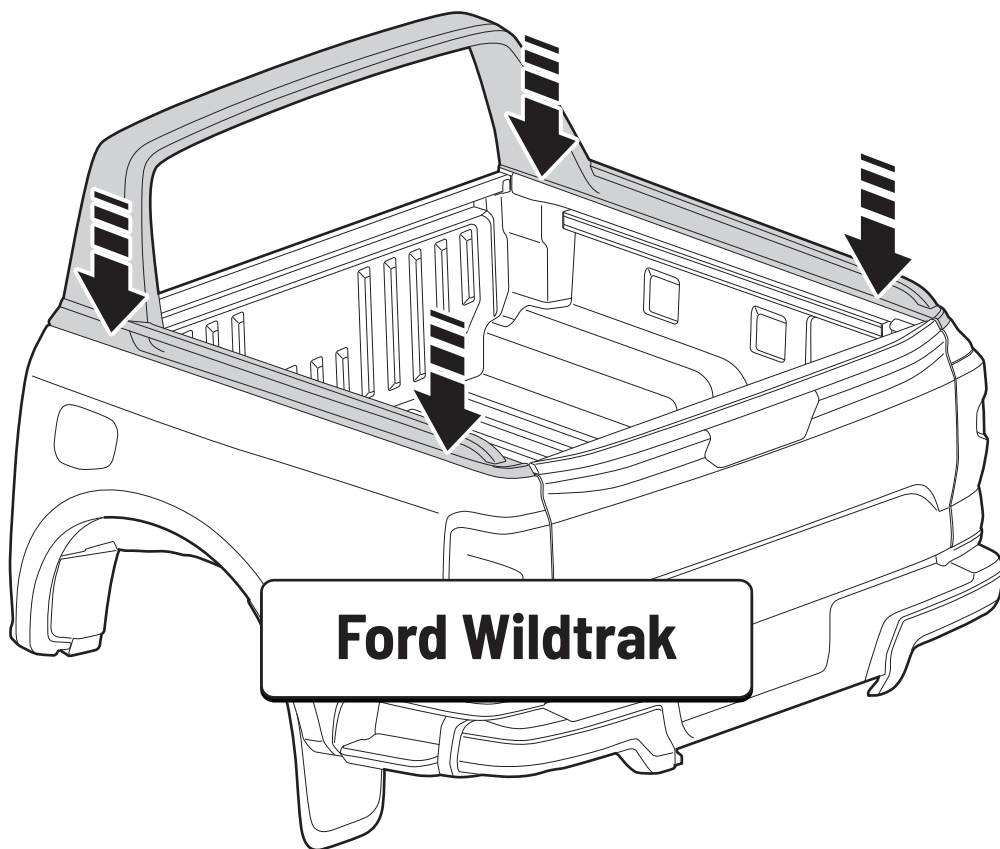


**! ONLY FOR FORD RANGER XLT / RAPTOR**

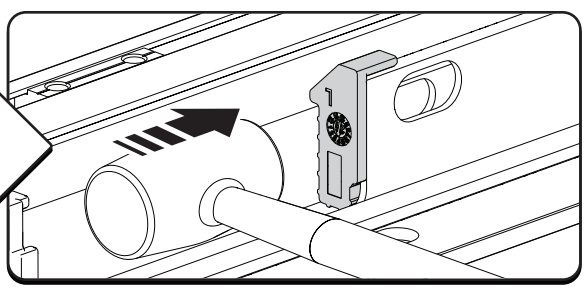
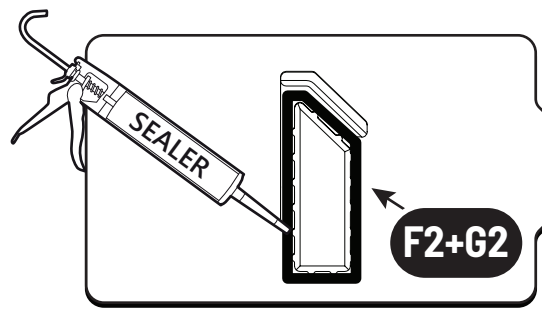
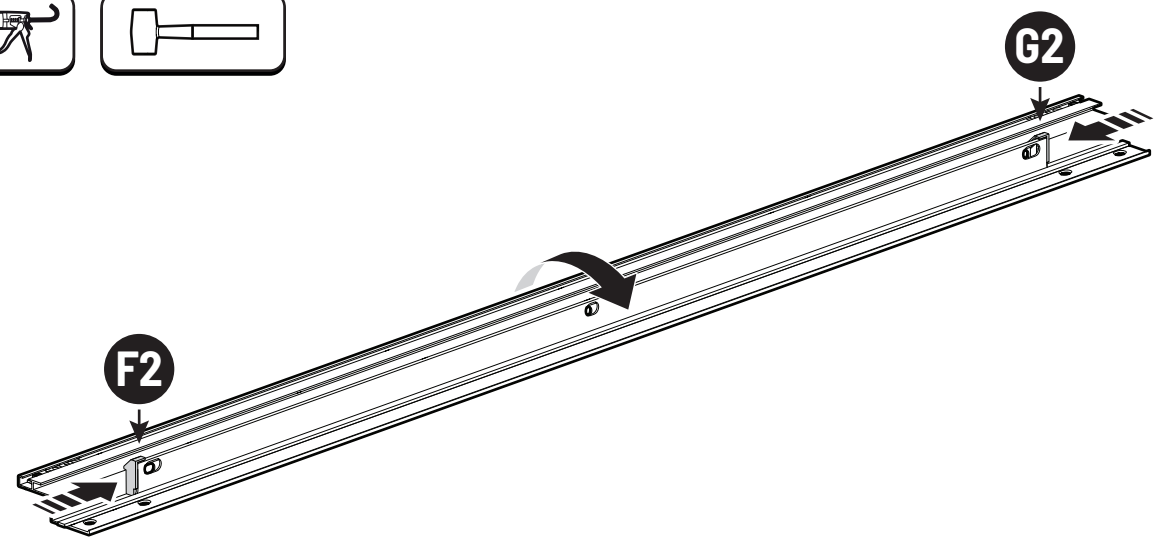
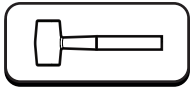
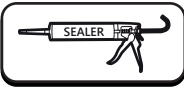
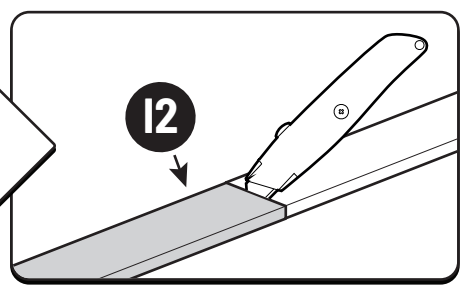
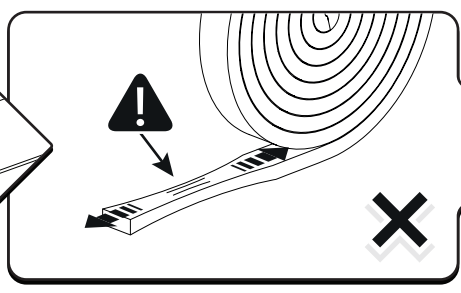
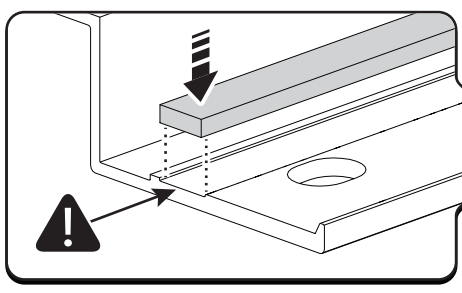
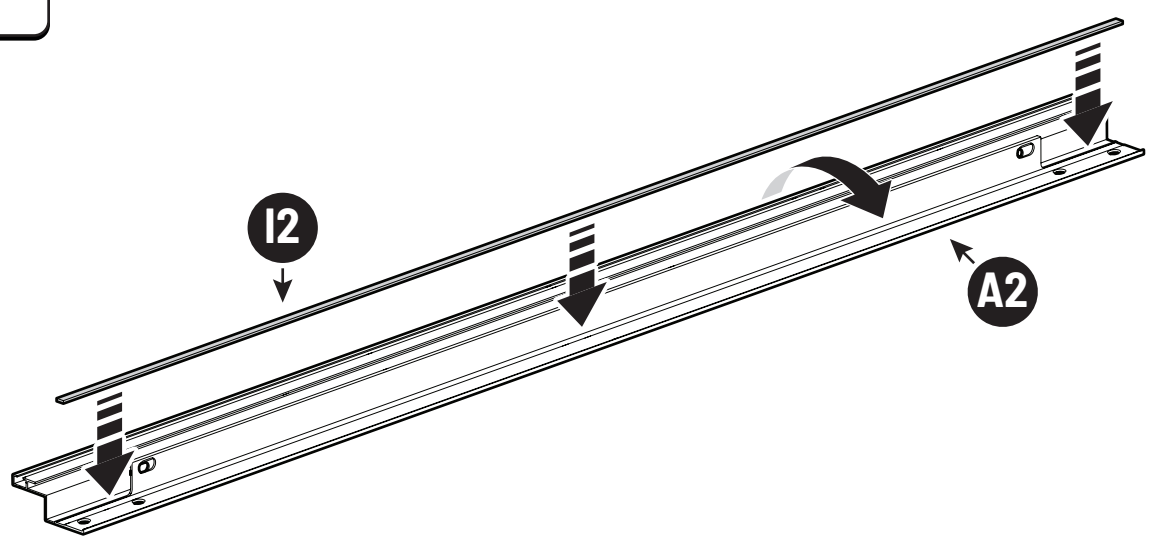
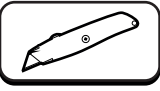


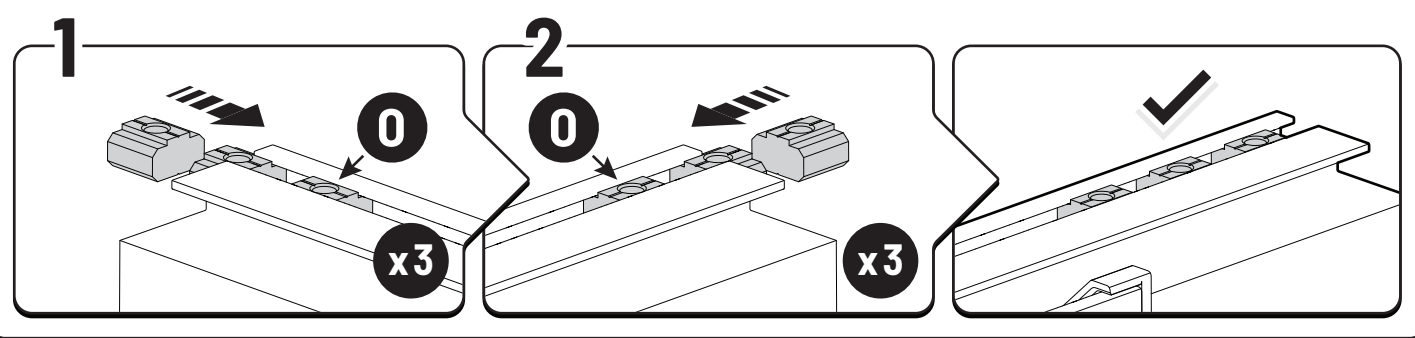
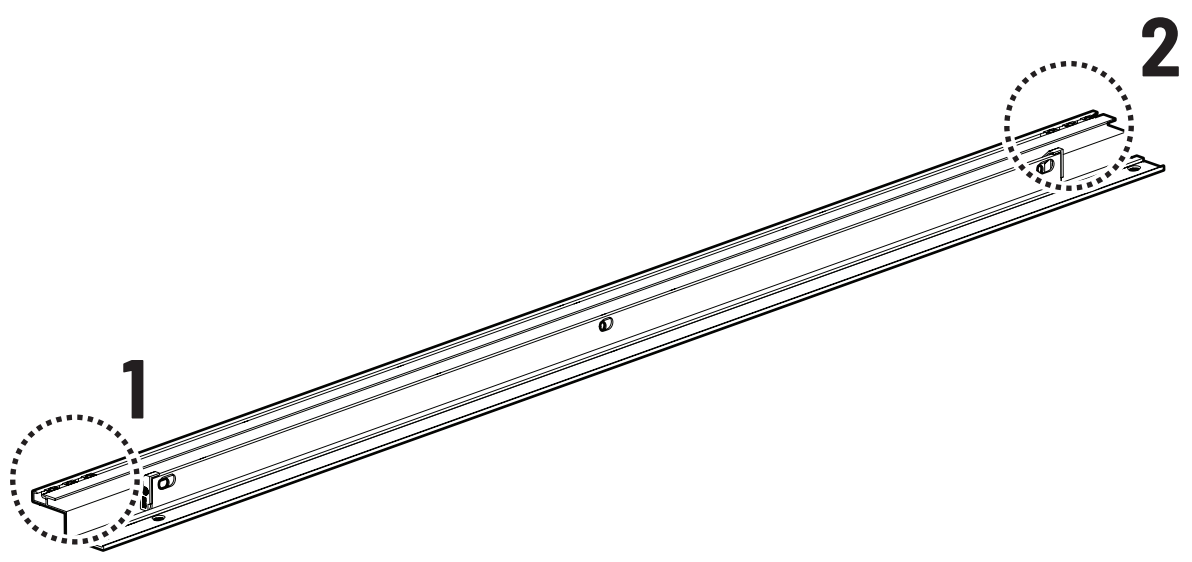


**Ford XLT / Raptor**

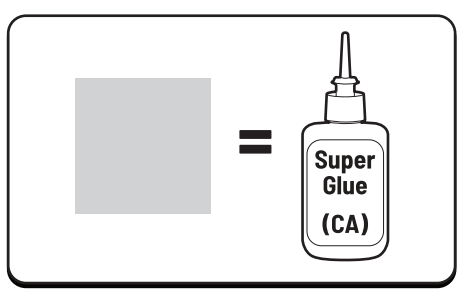
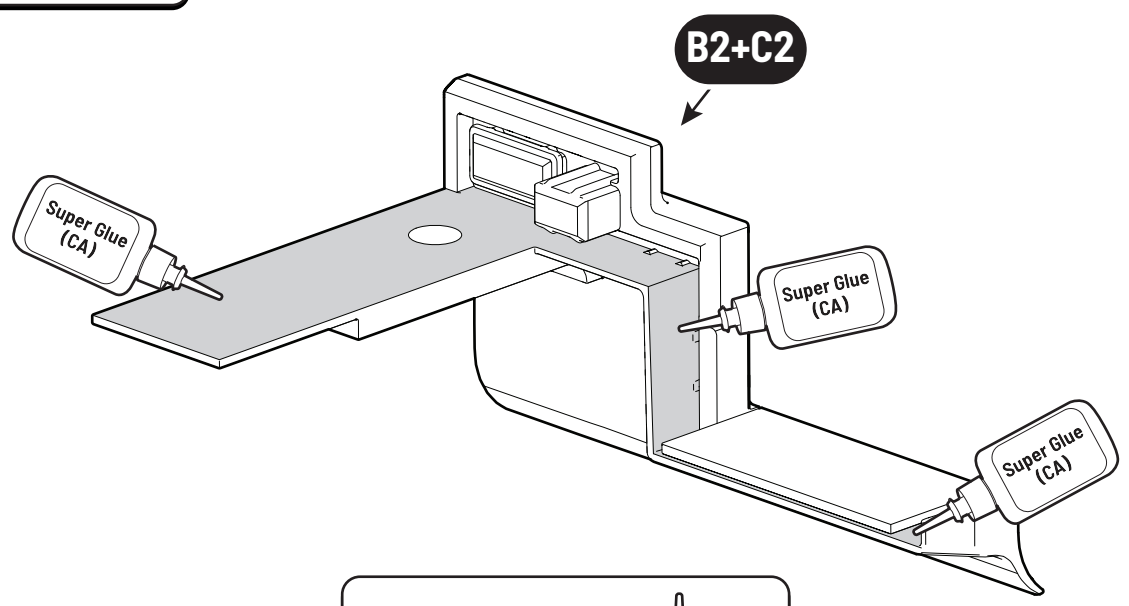


**Ford Wildtrak**





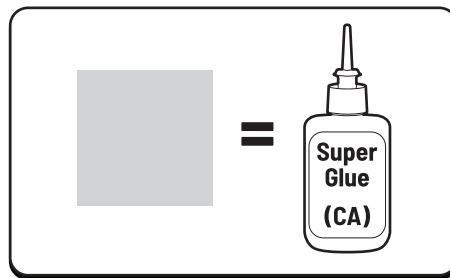
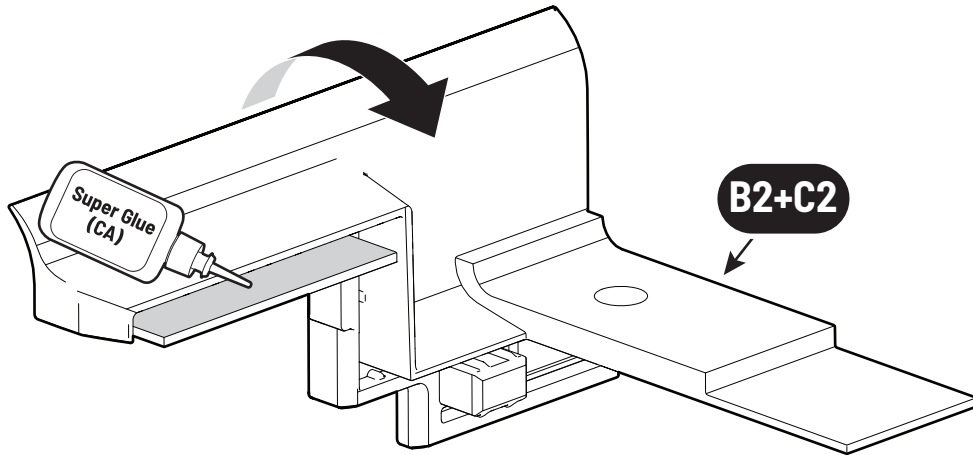
 **Super Glue (CA)**



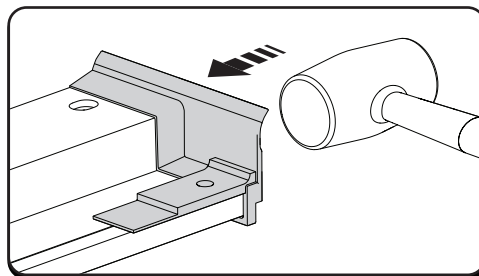
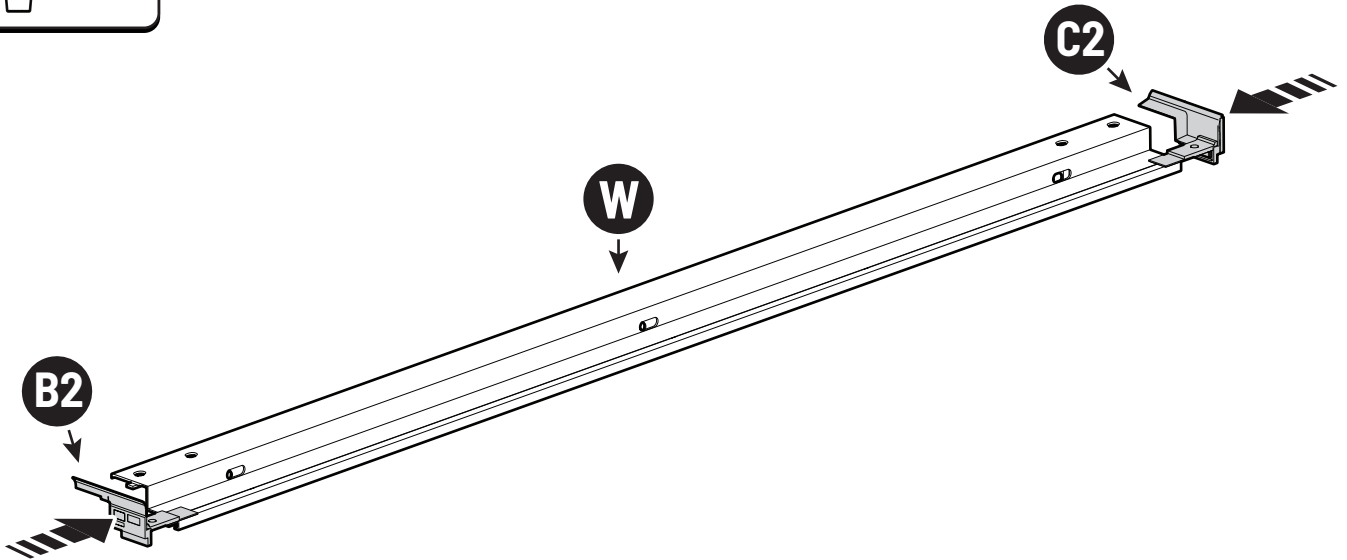


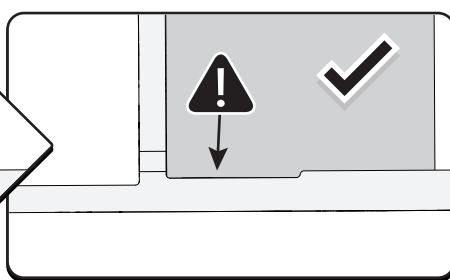
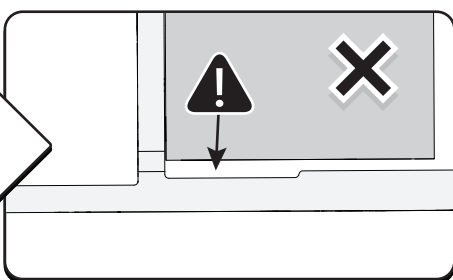
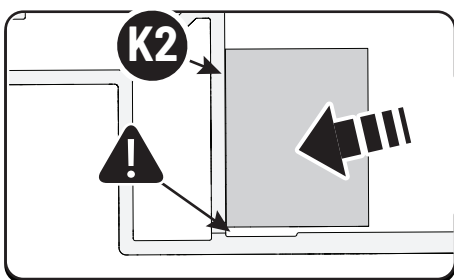
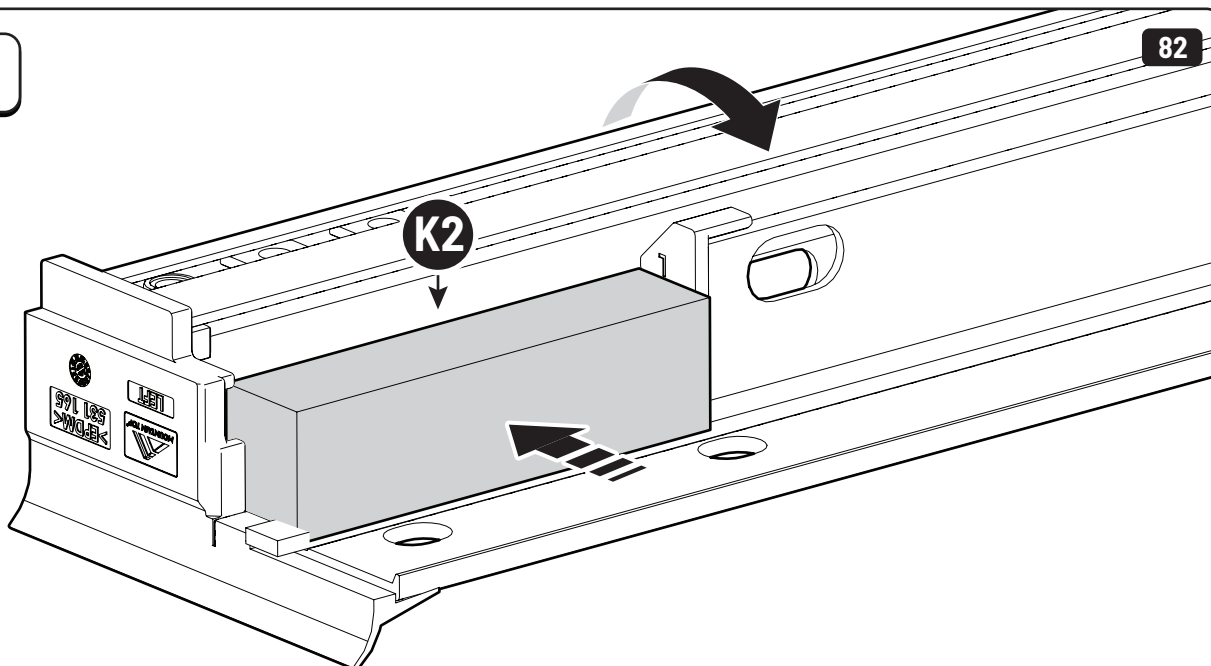
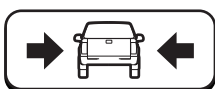
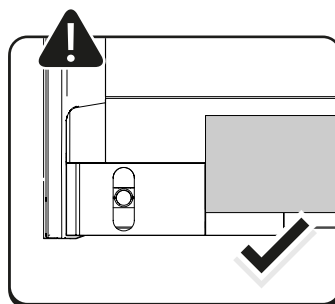
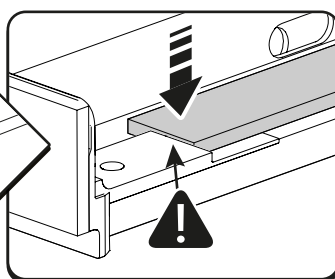
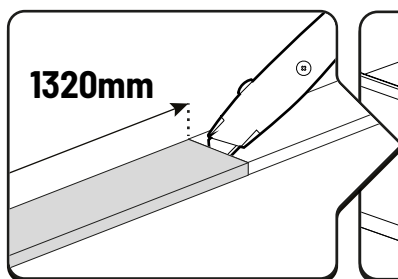
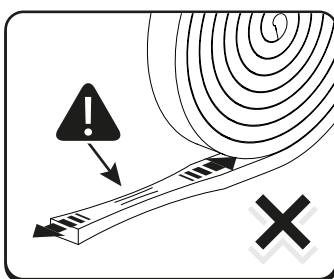
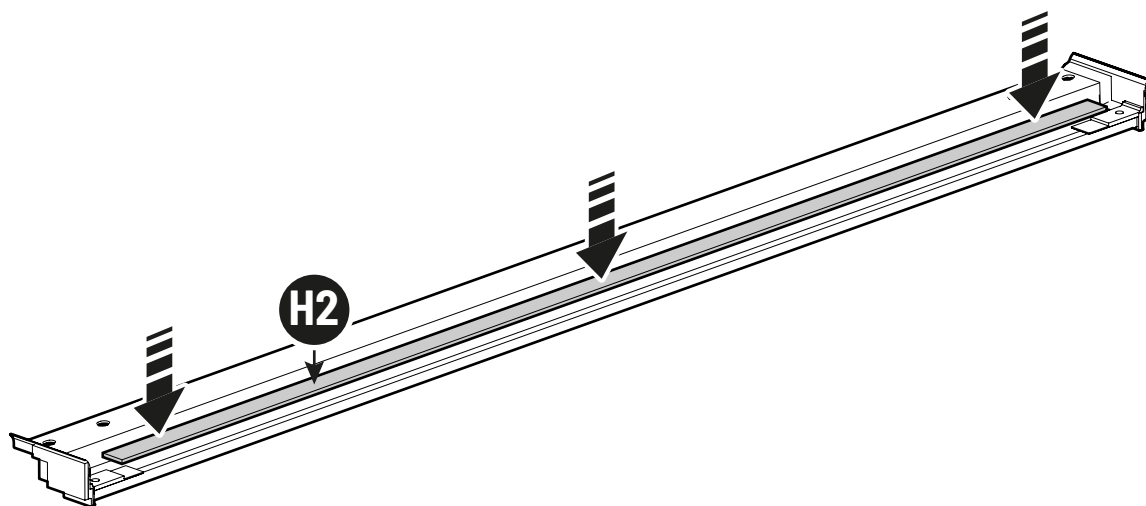
Super Glue (CA)

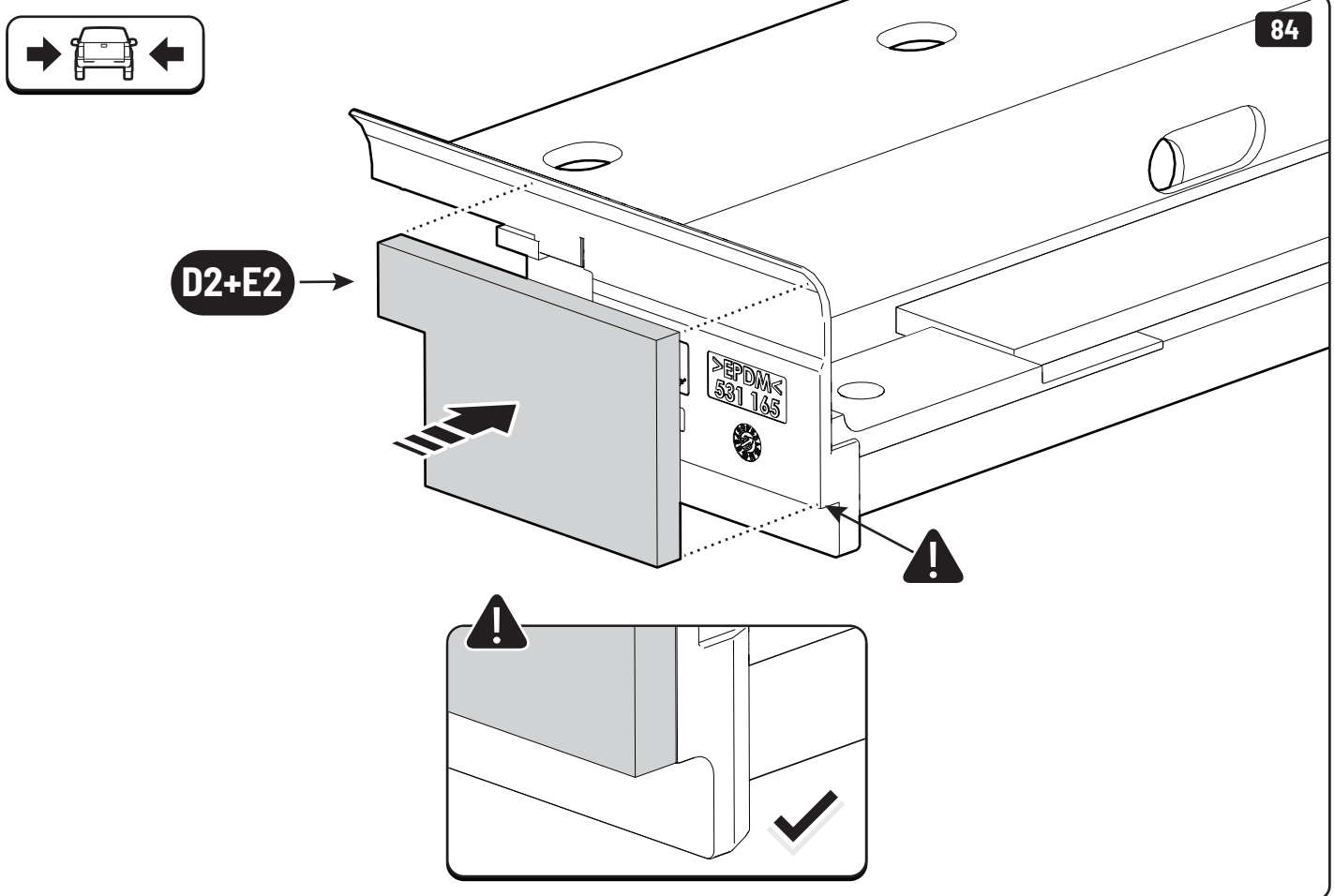
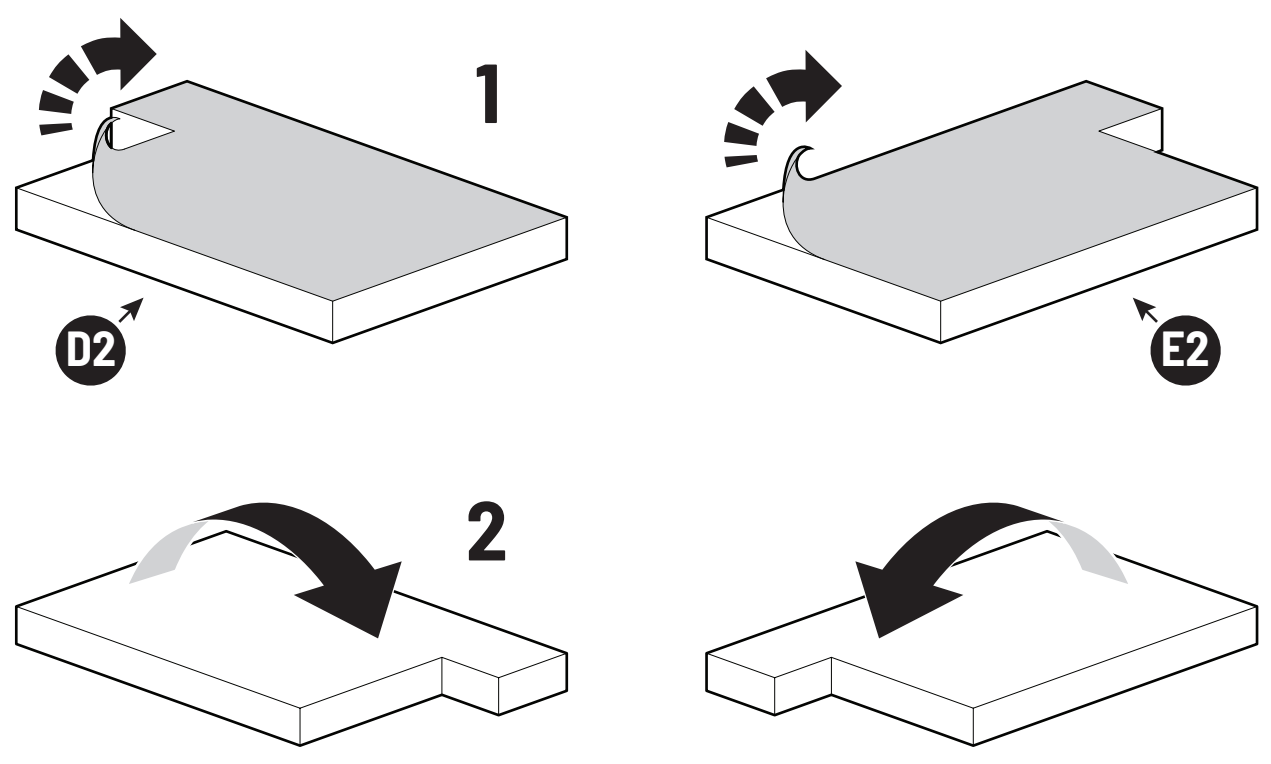
79



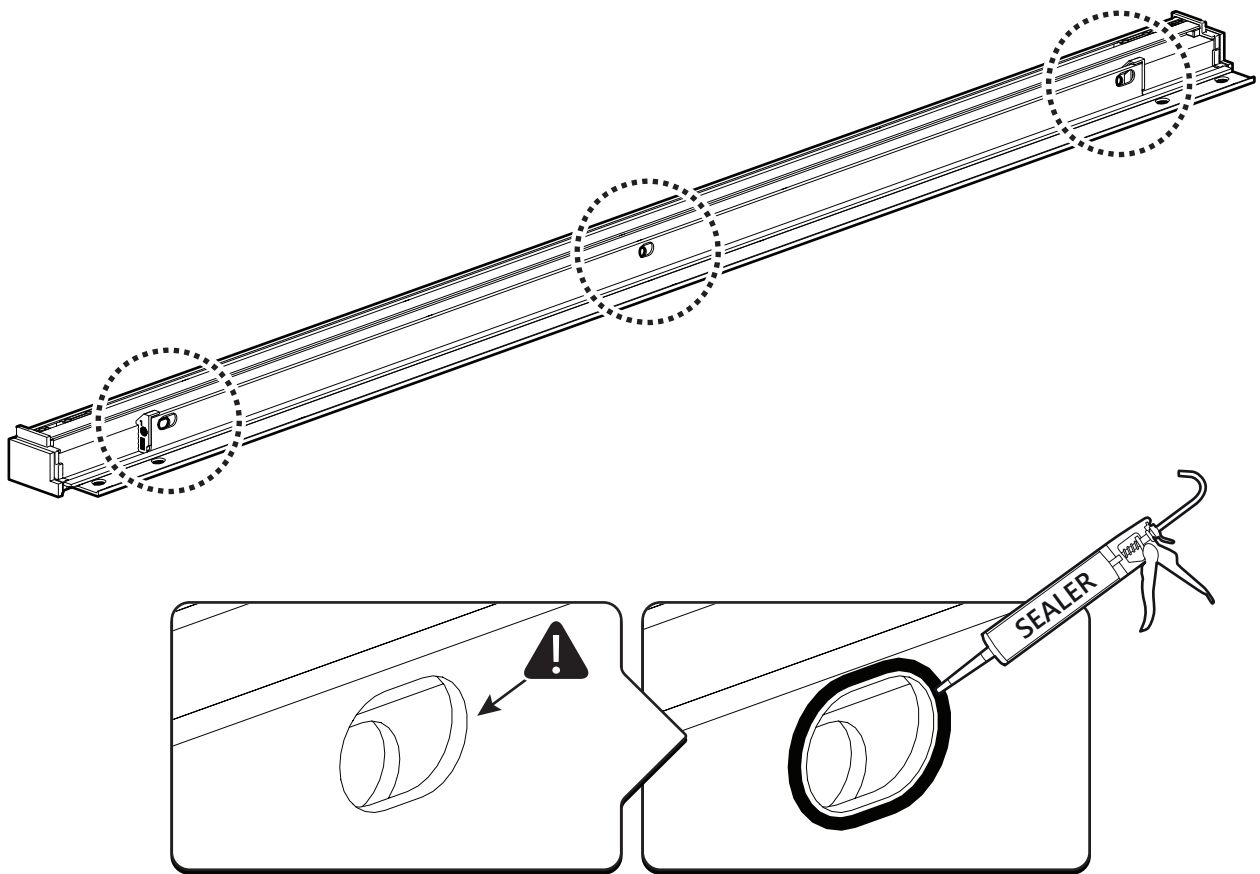
80





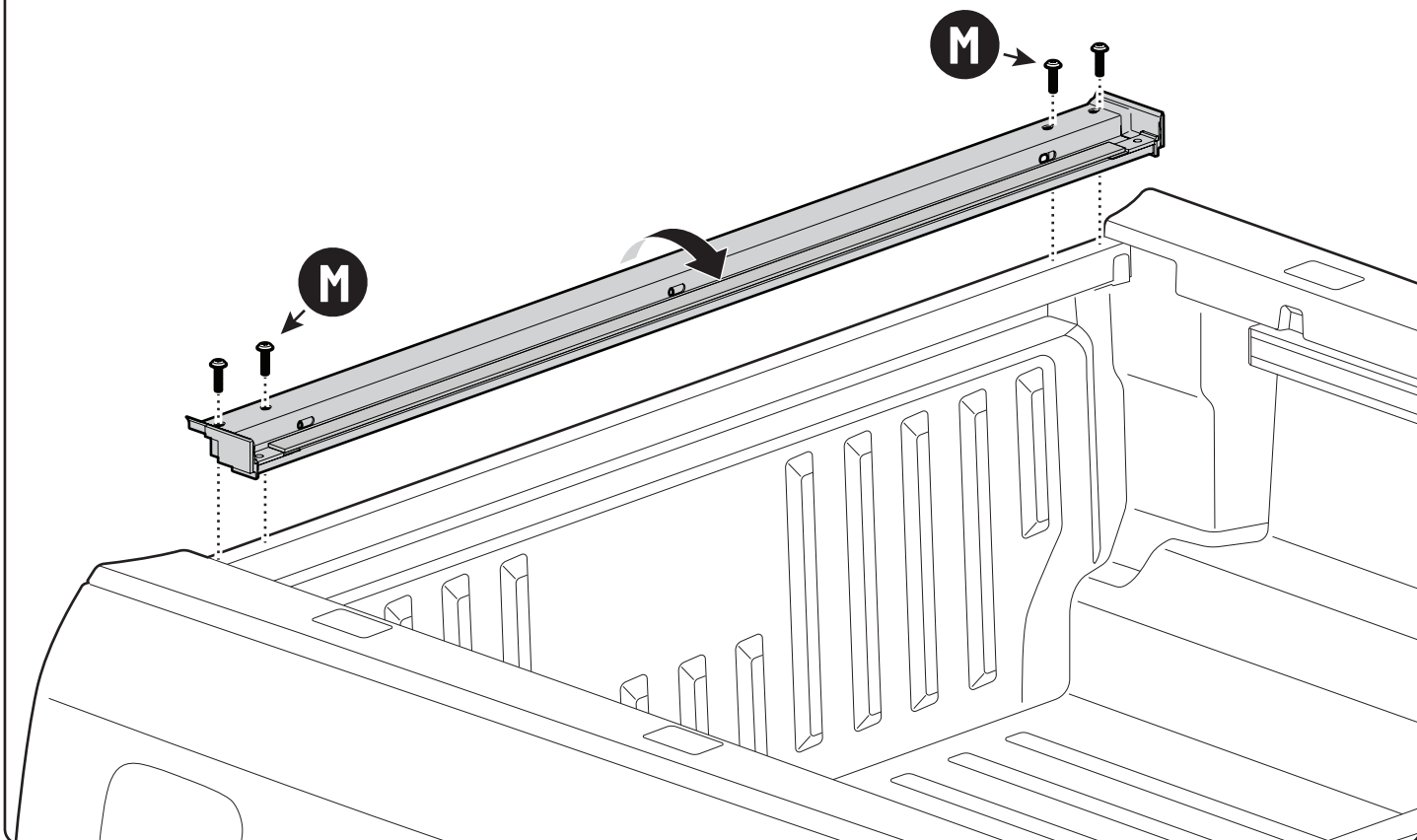


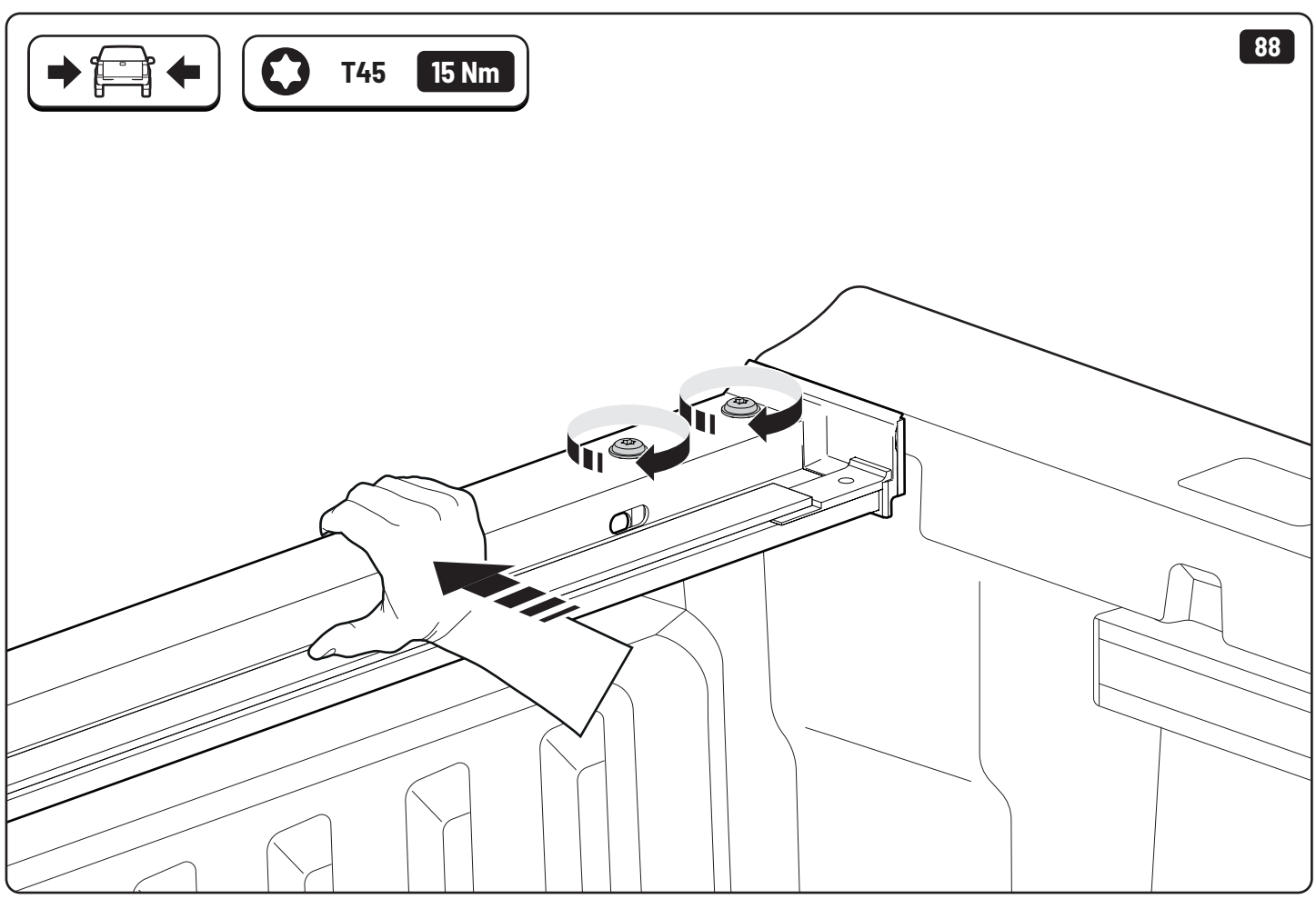
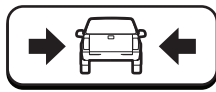
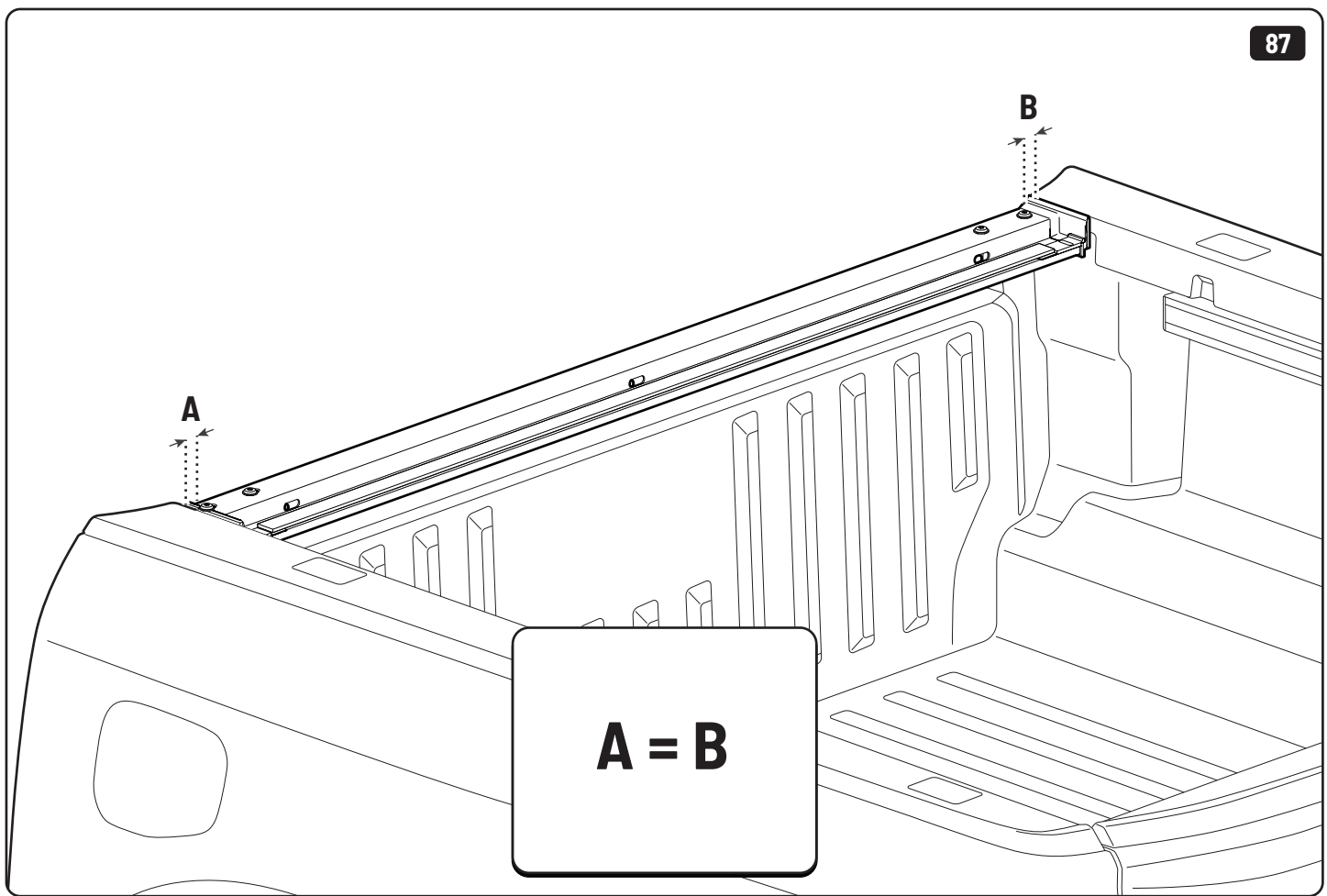


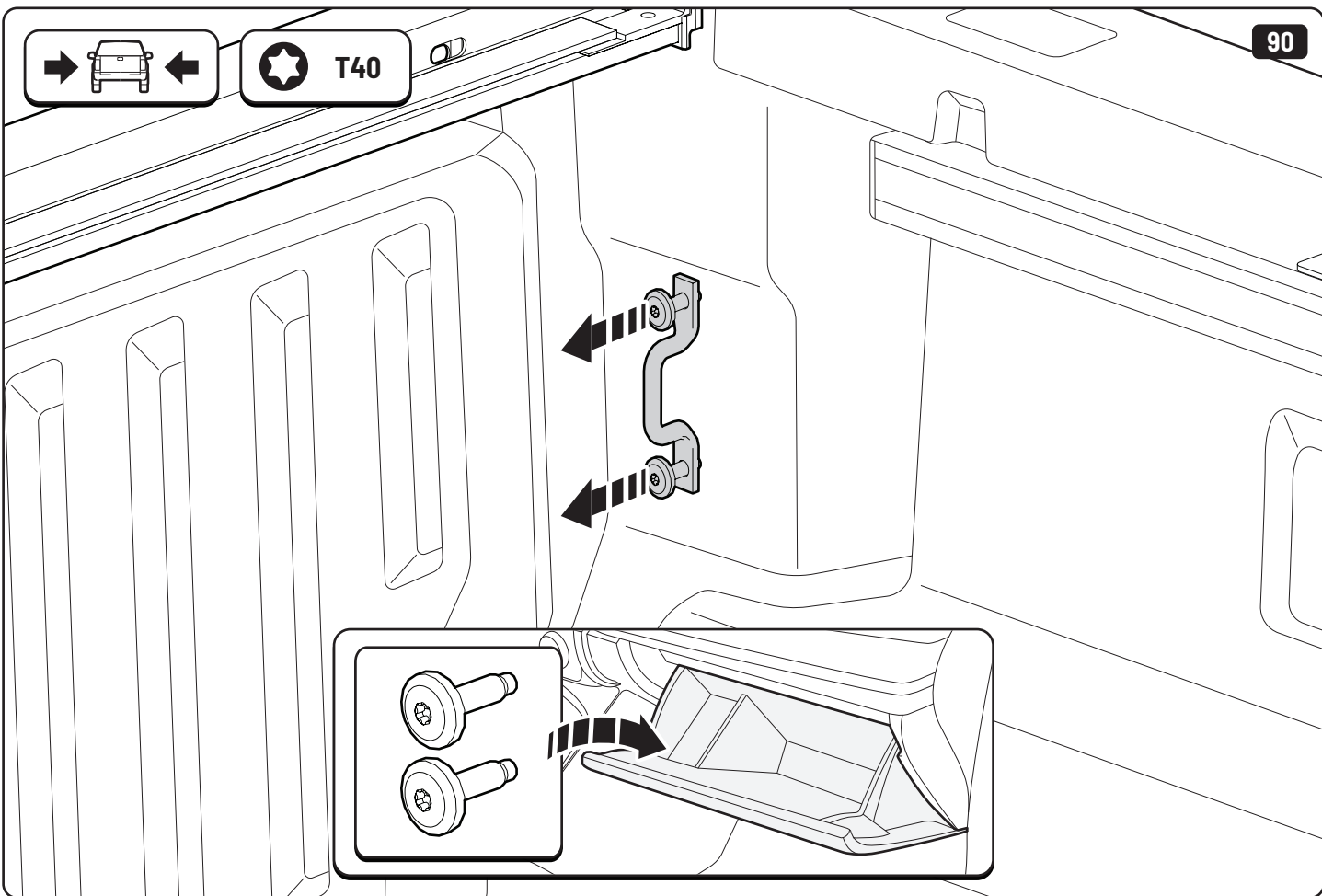
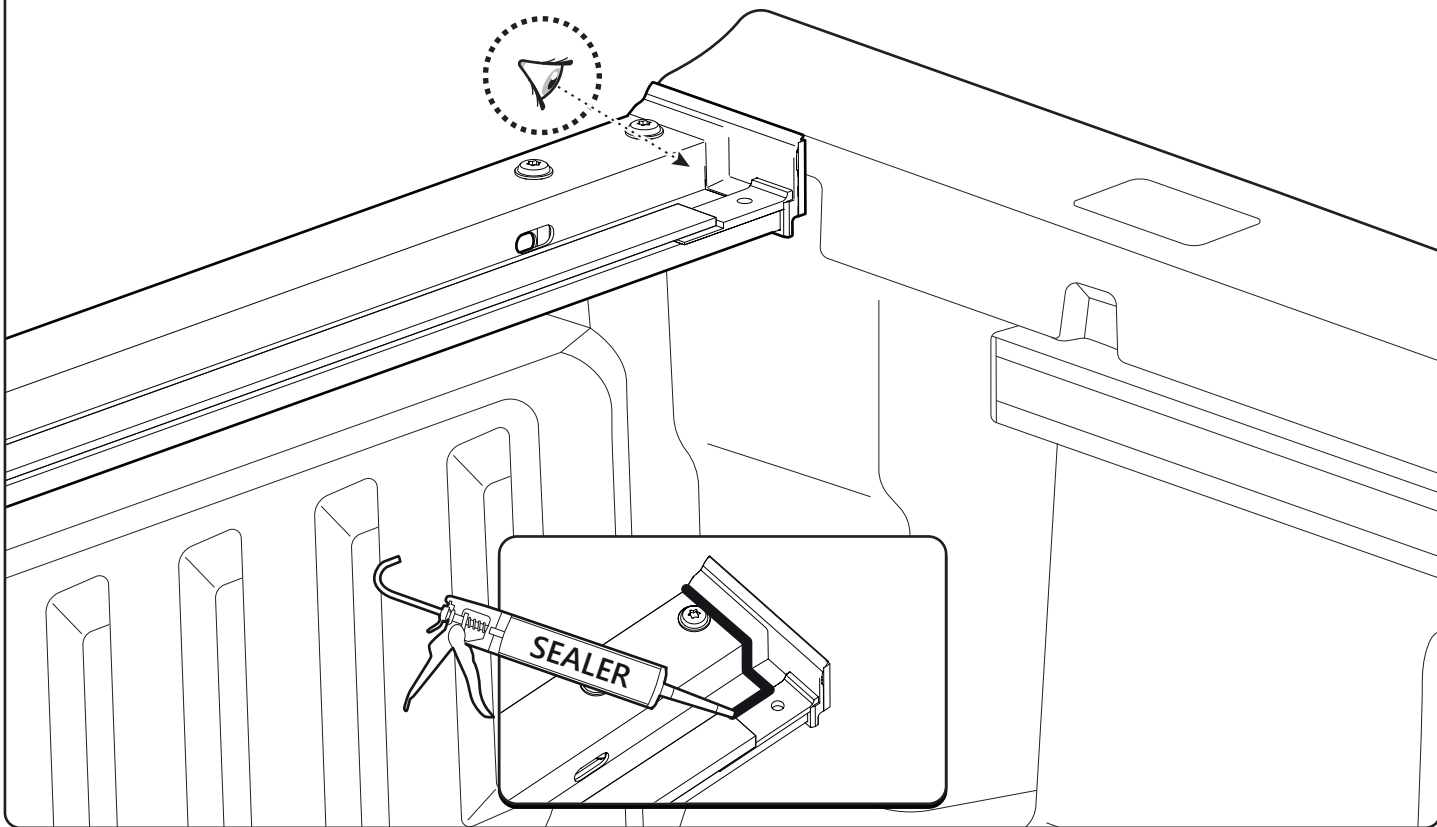


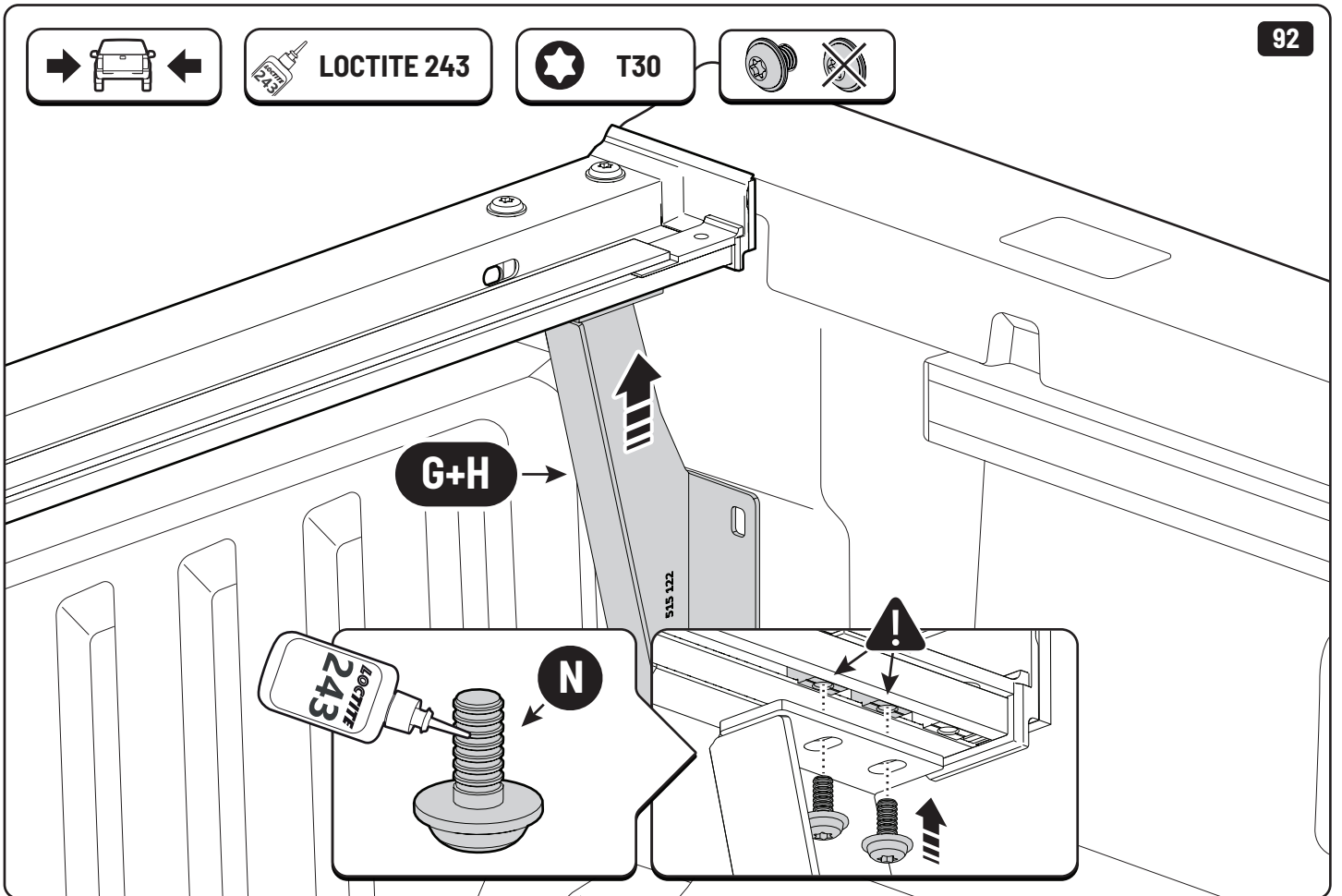
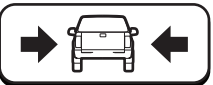
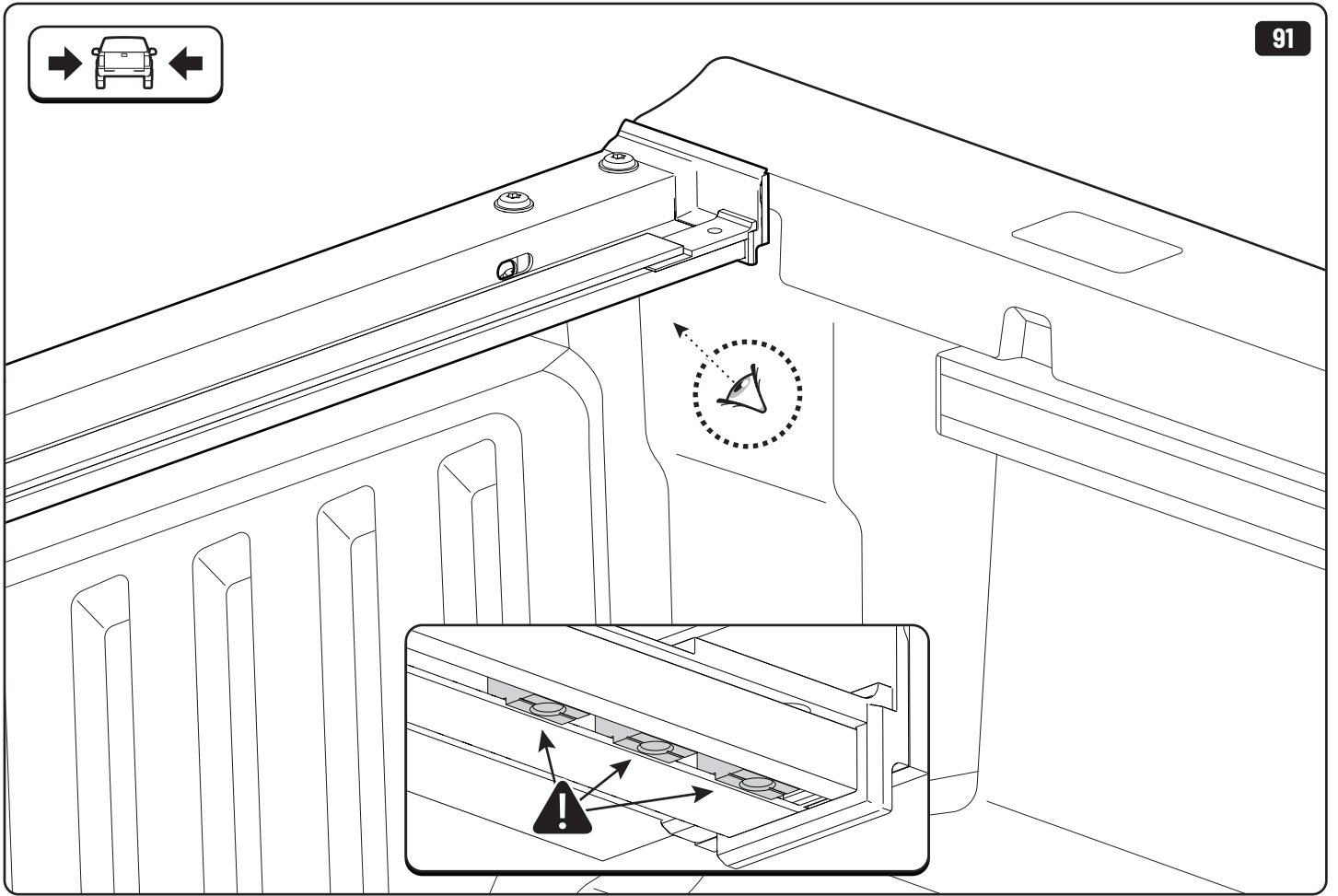
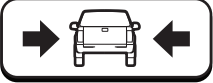
 **LOCTITE 243**

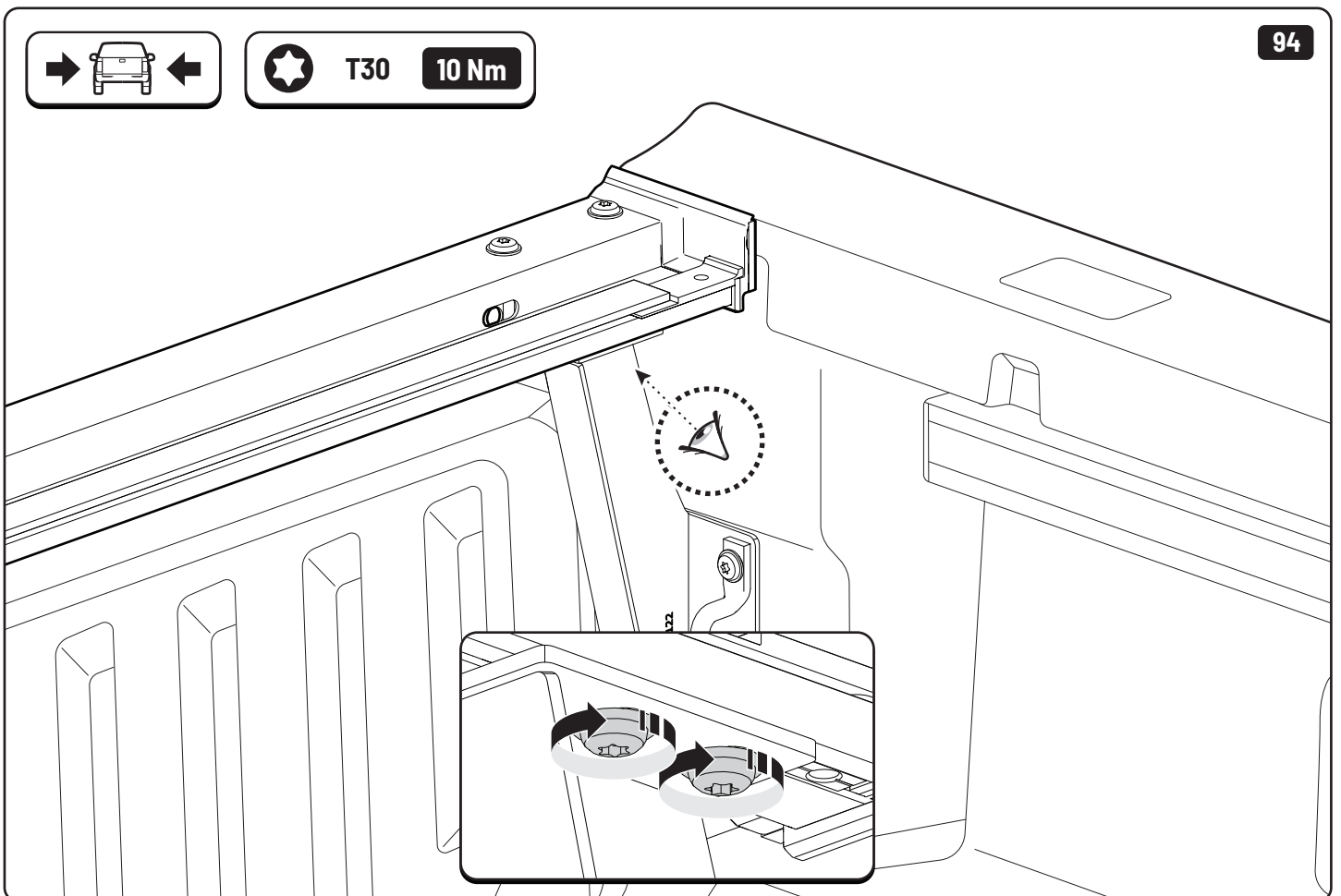
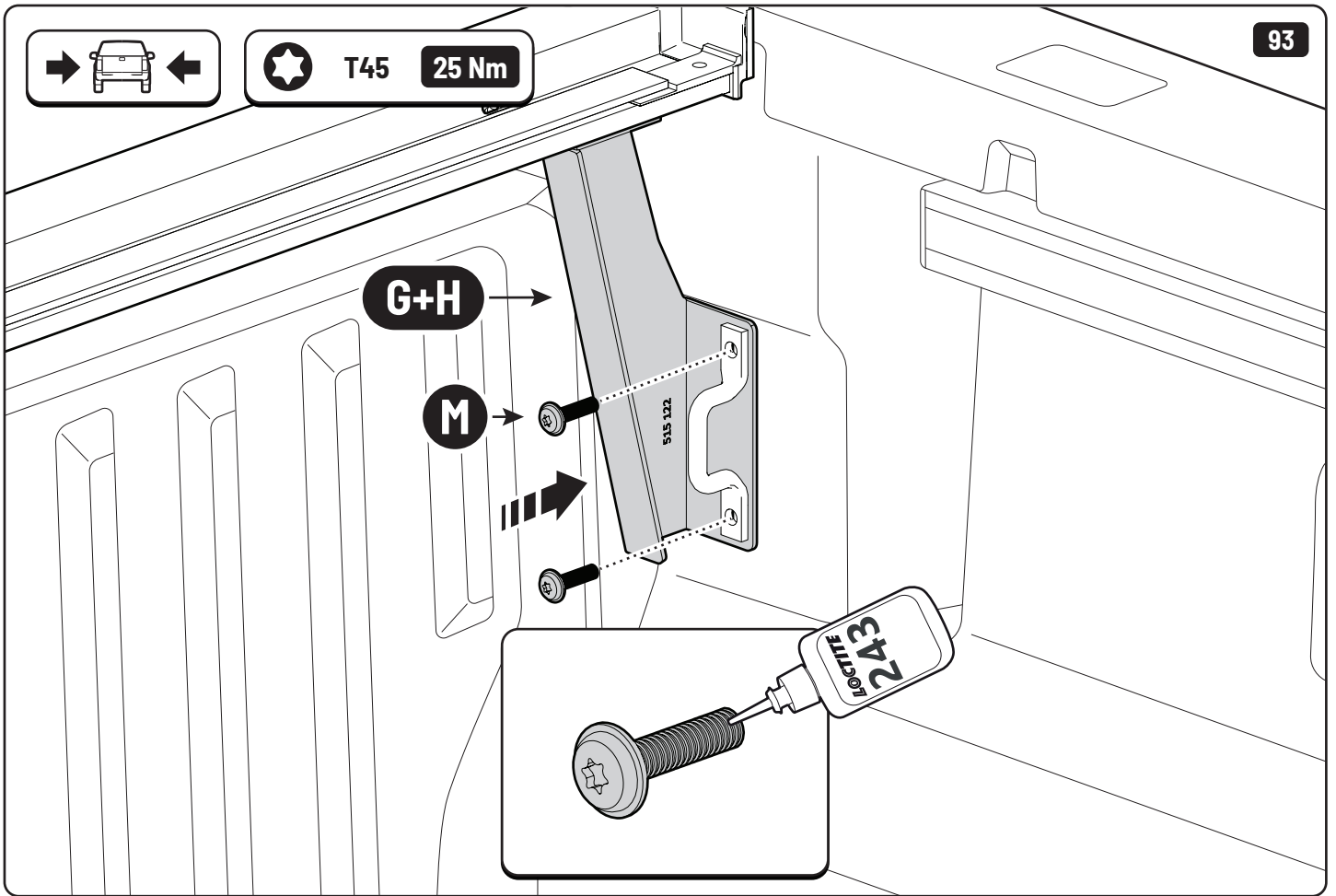
 **T45**

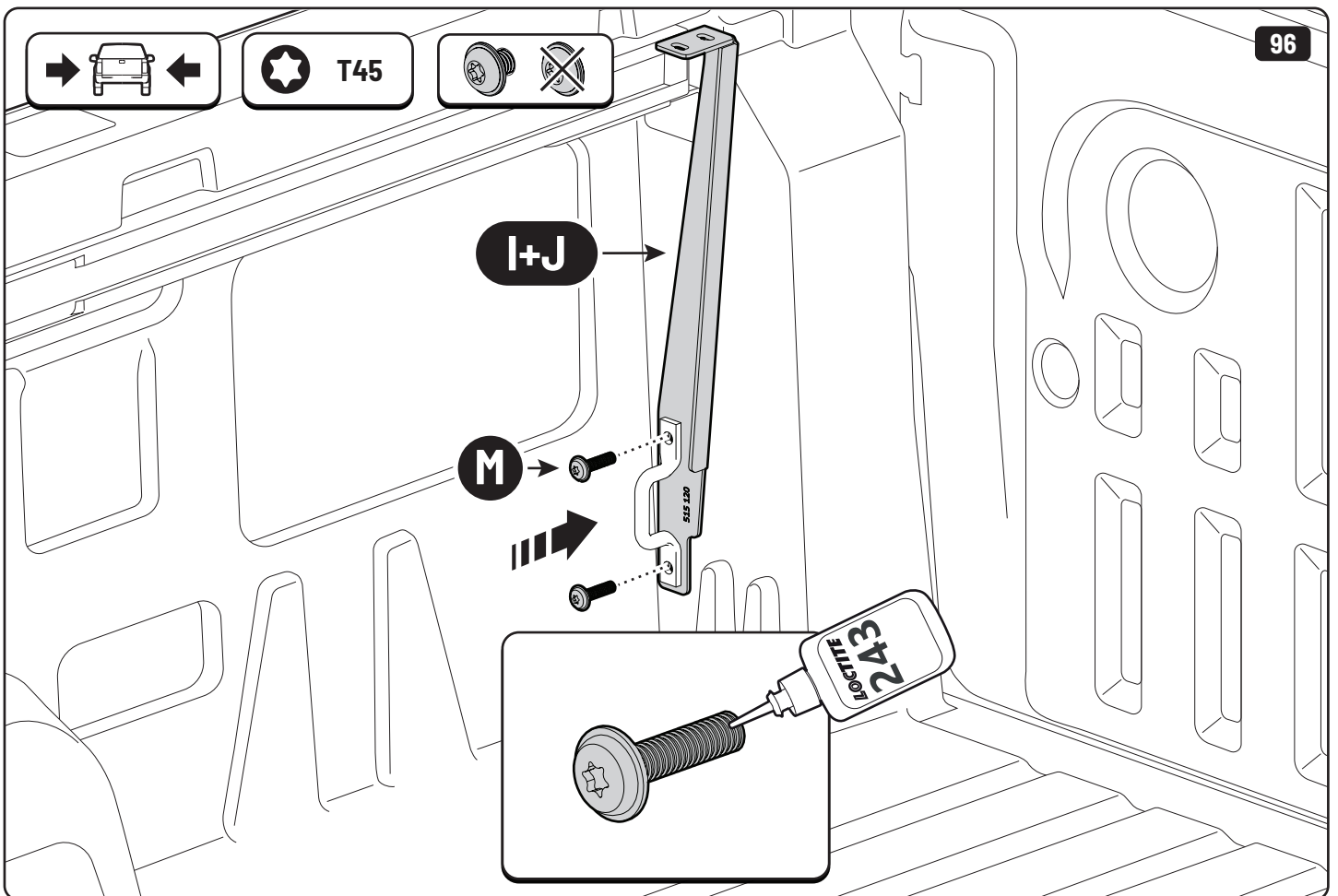
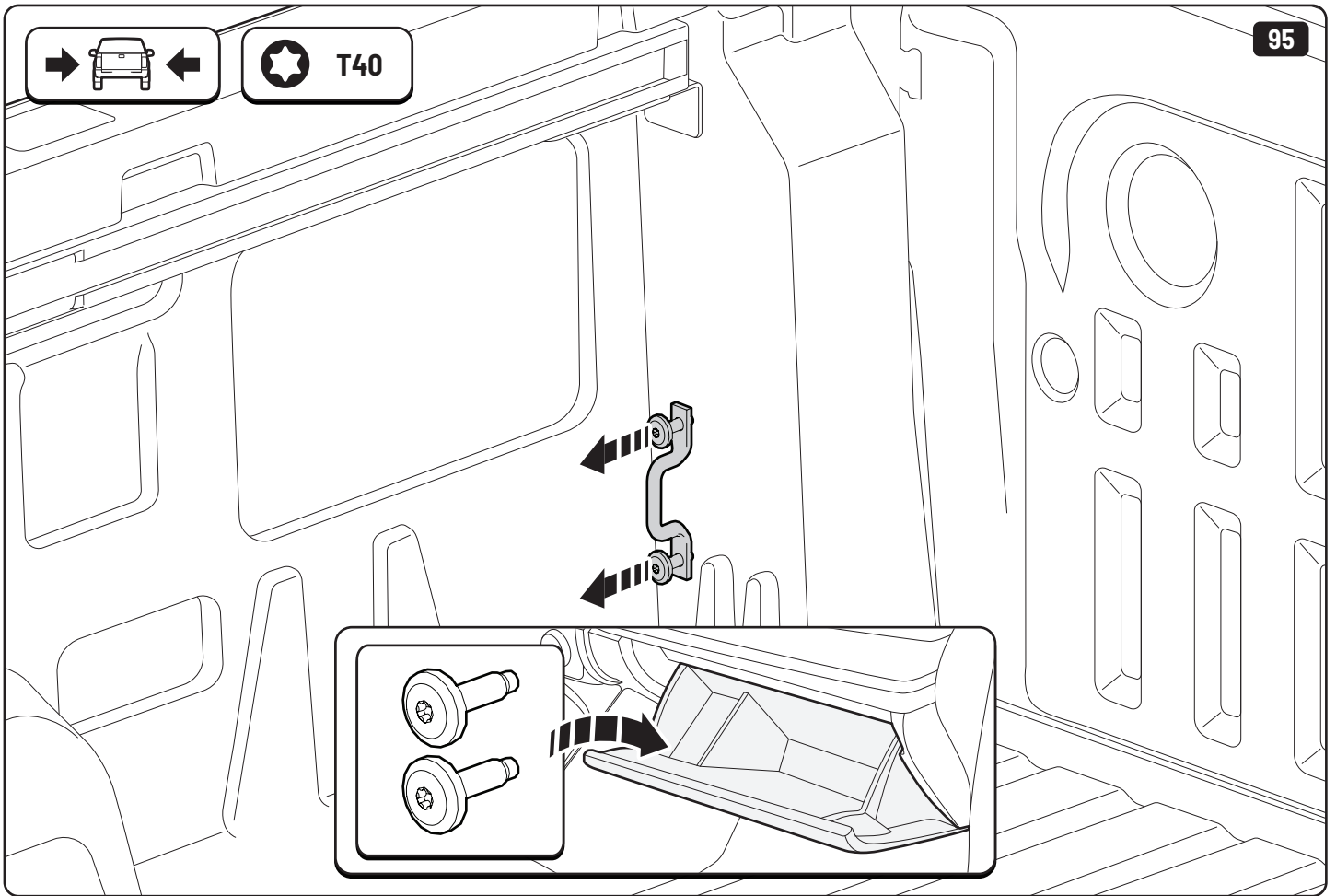


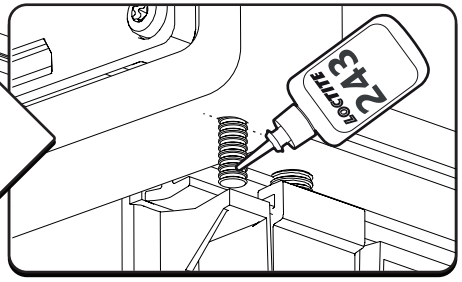
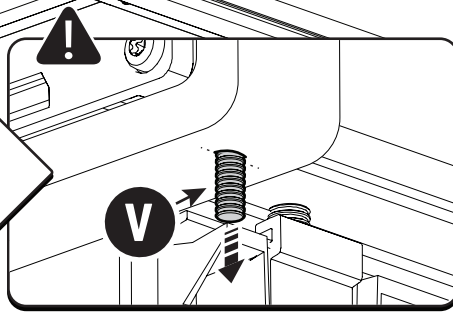
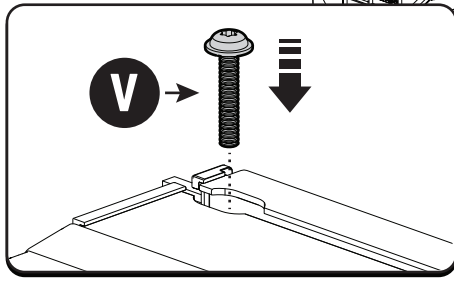
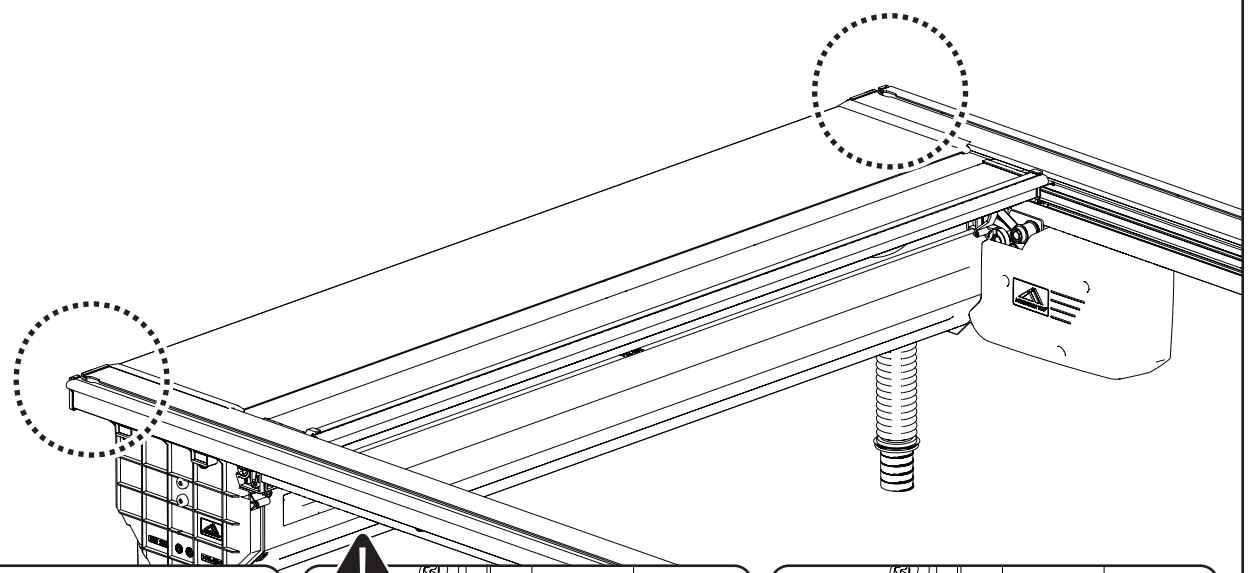
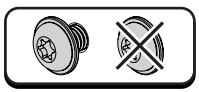
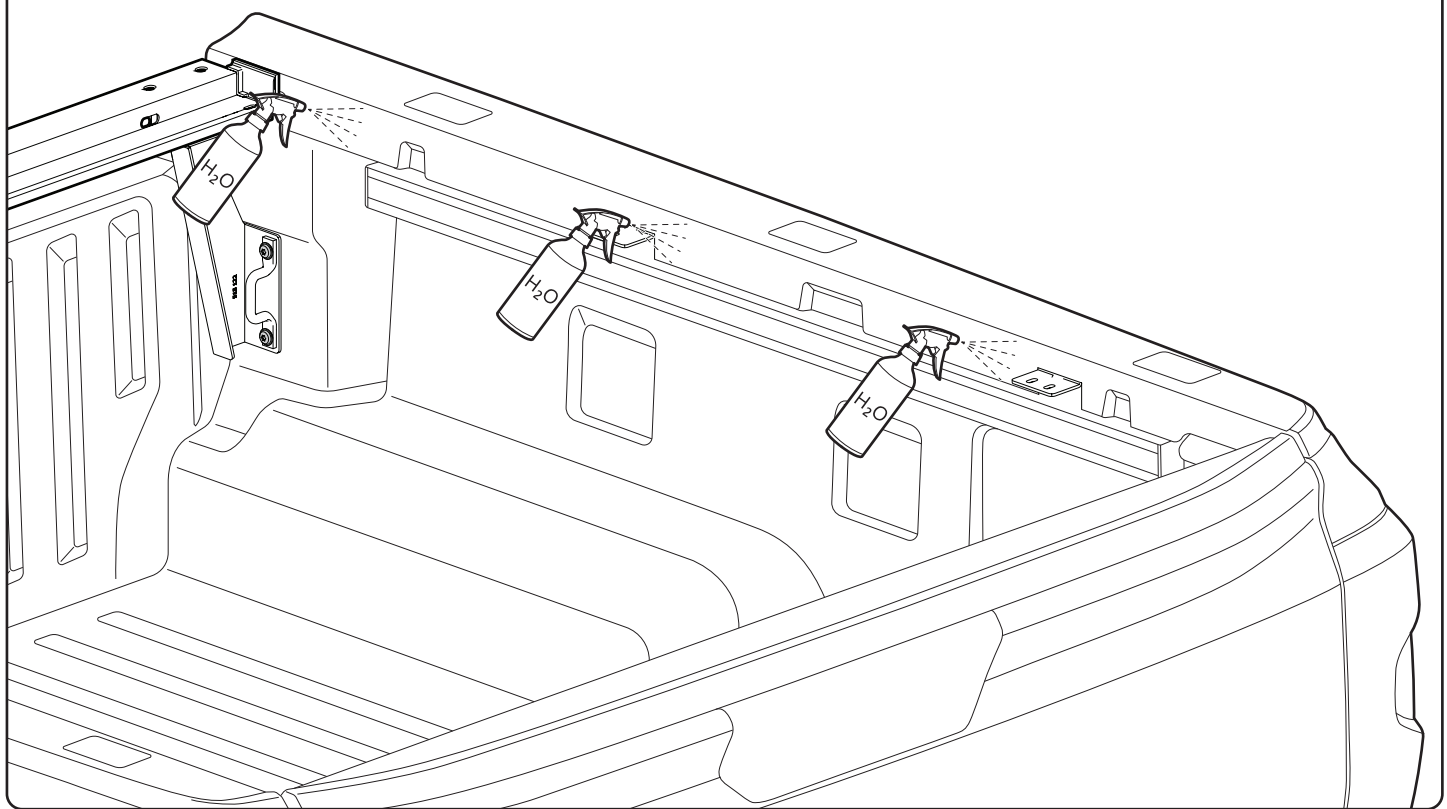


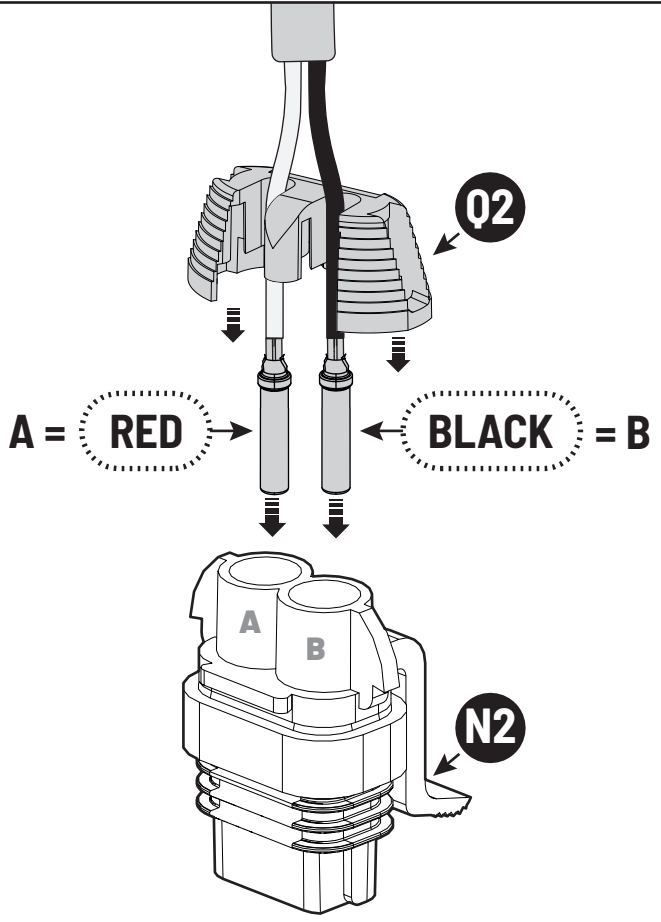
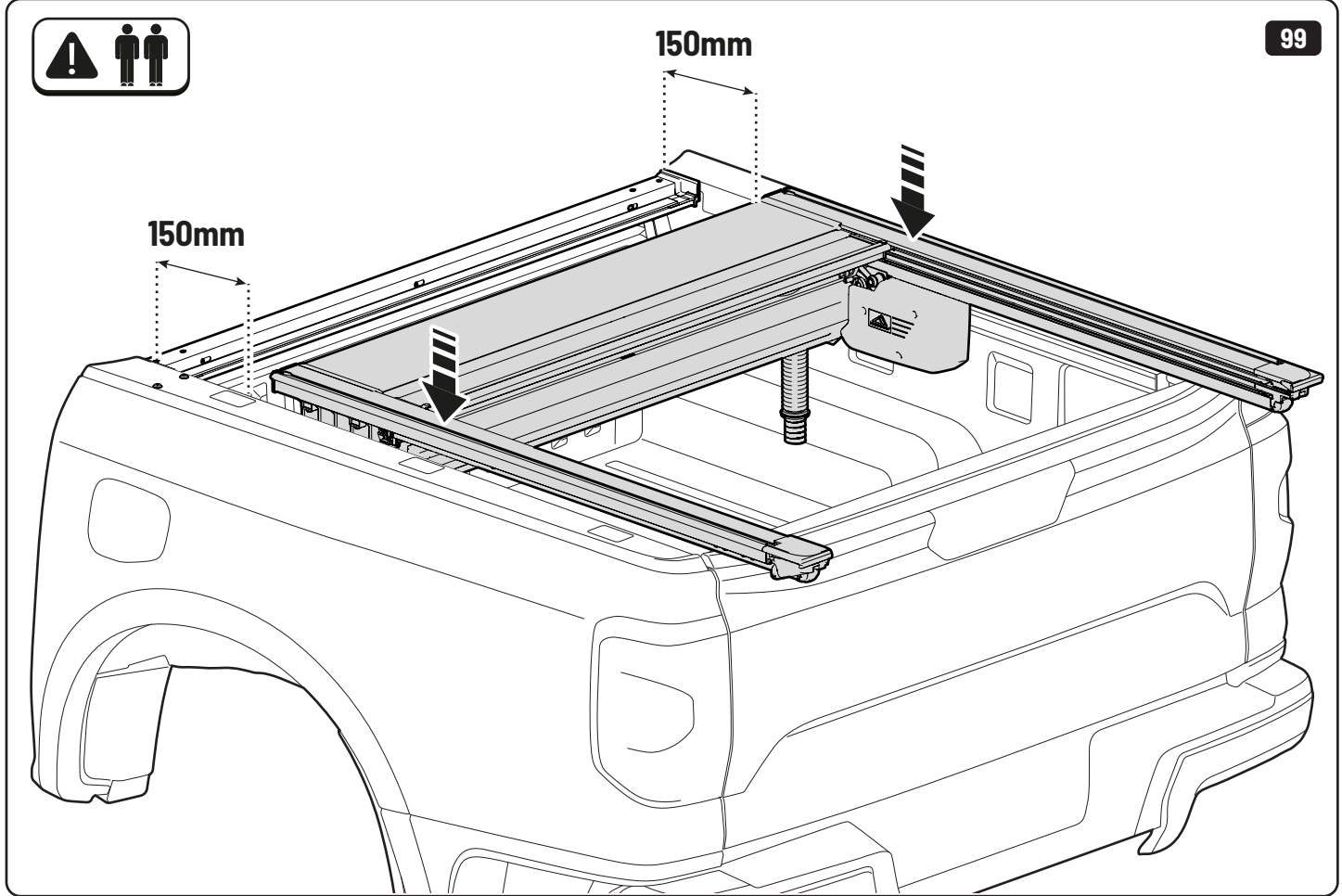




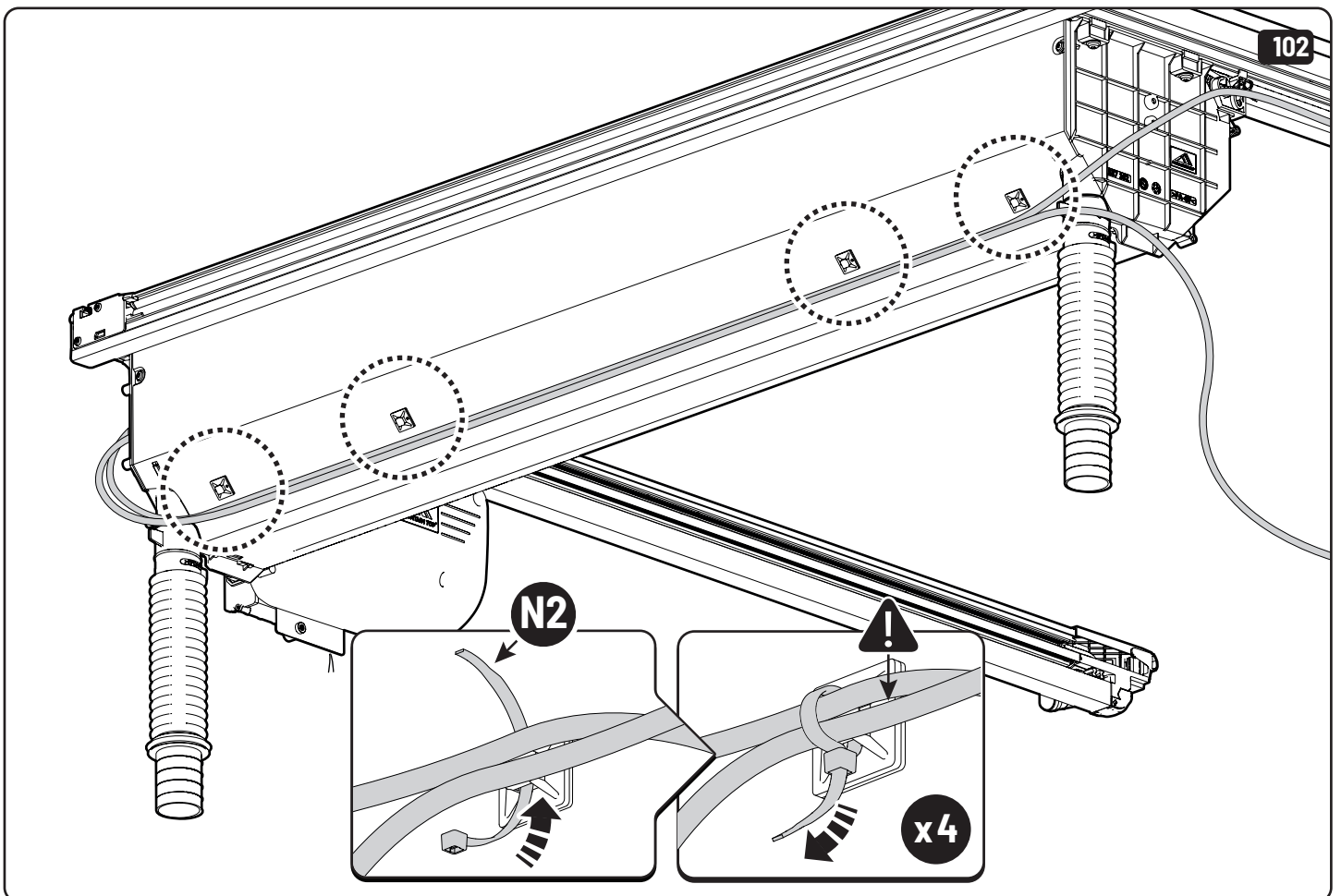
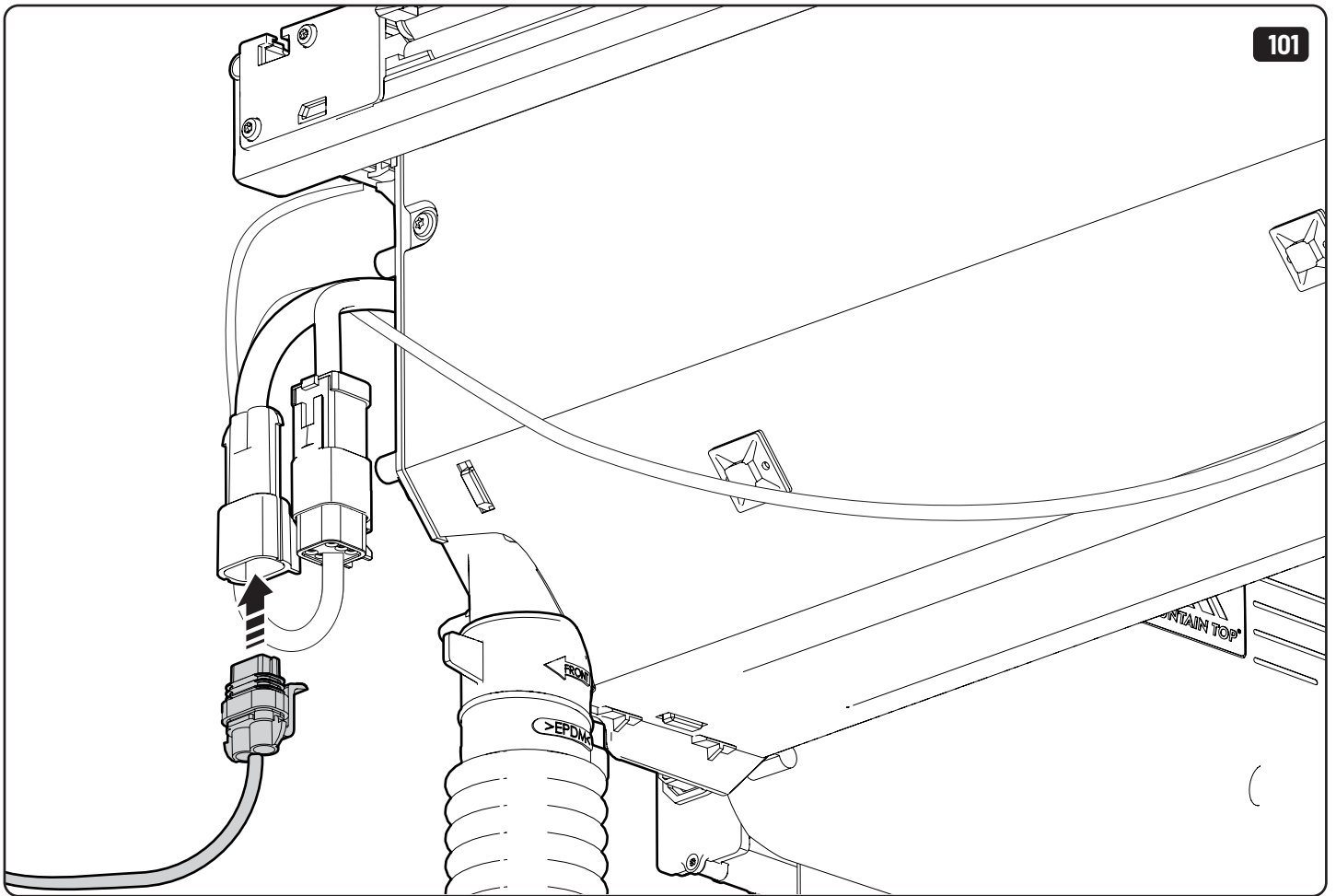


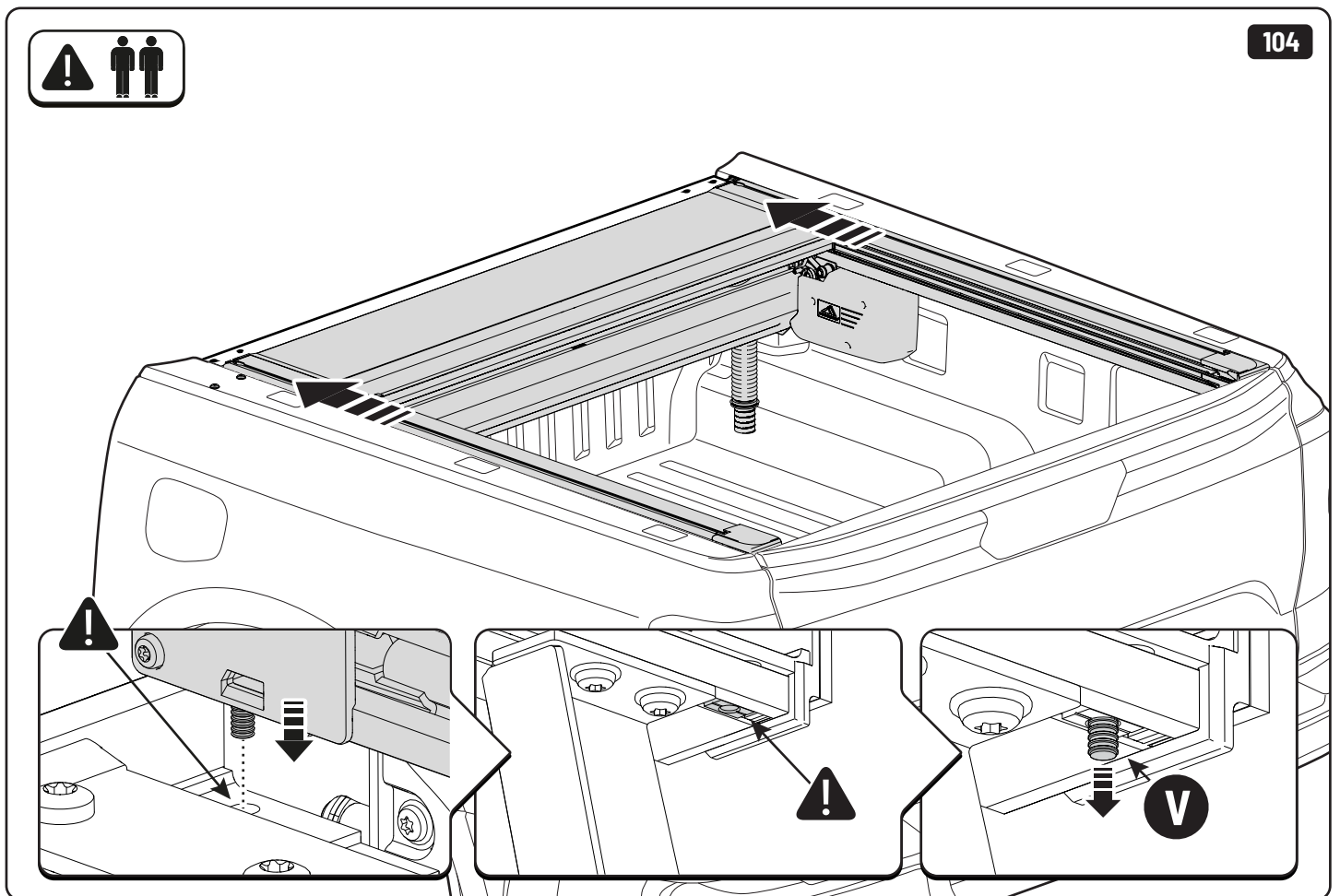
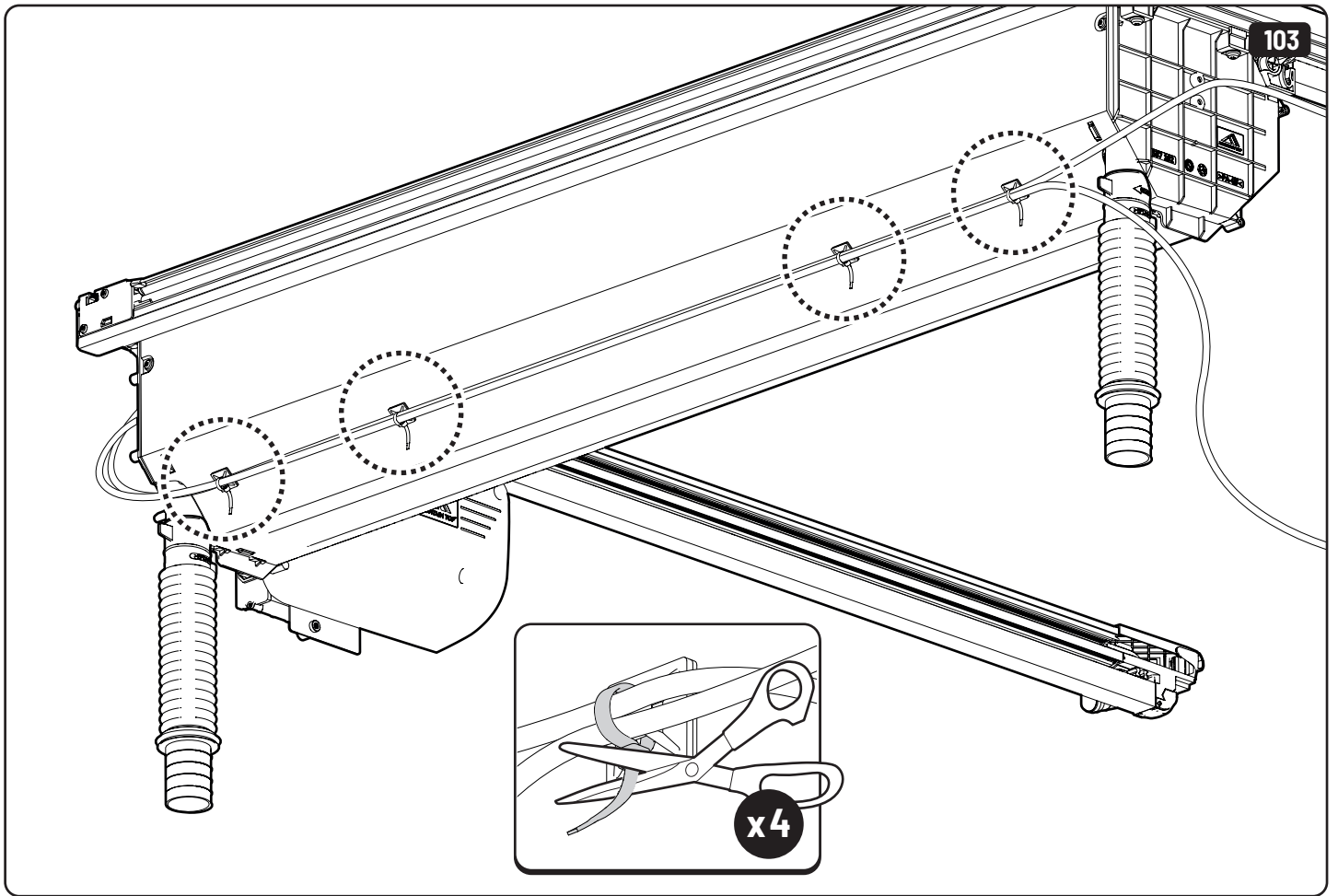


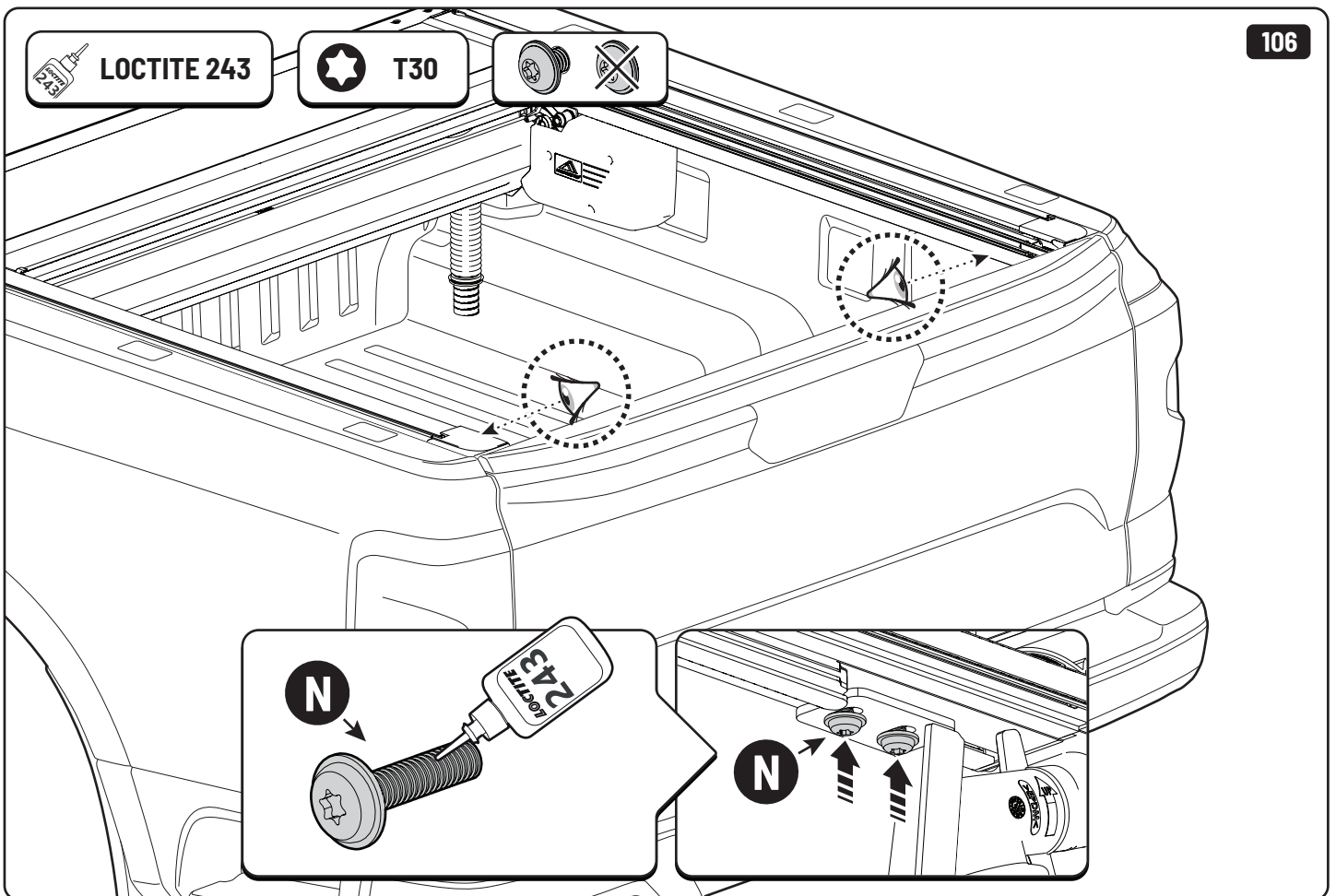
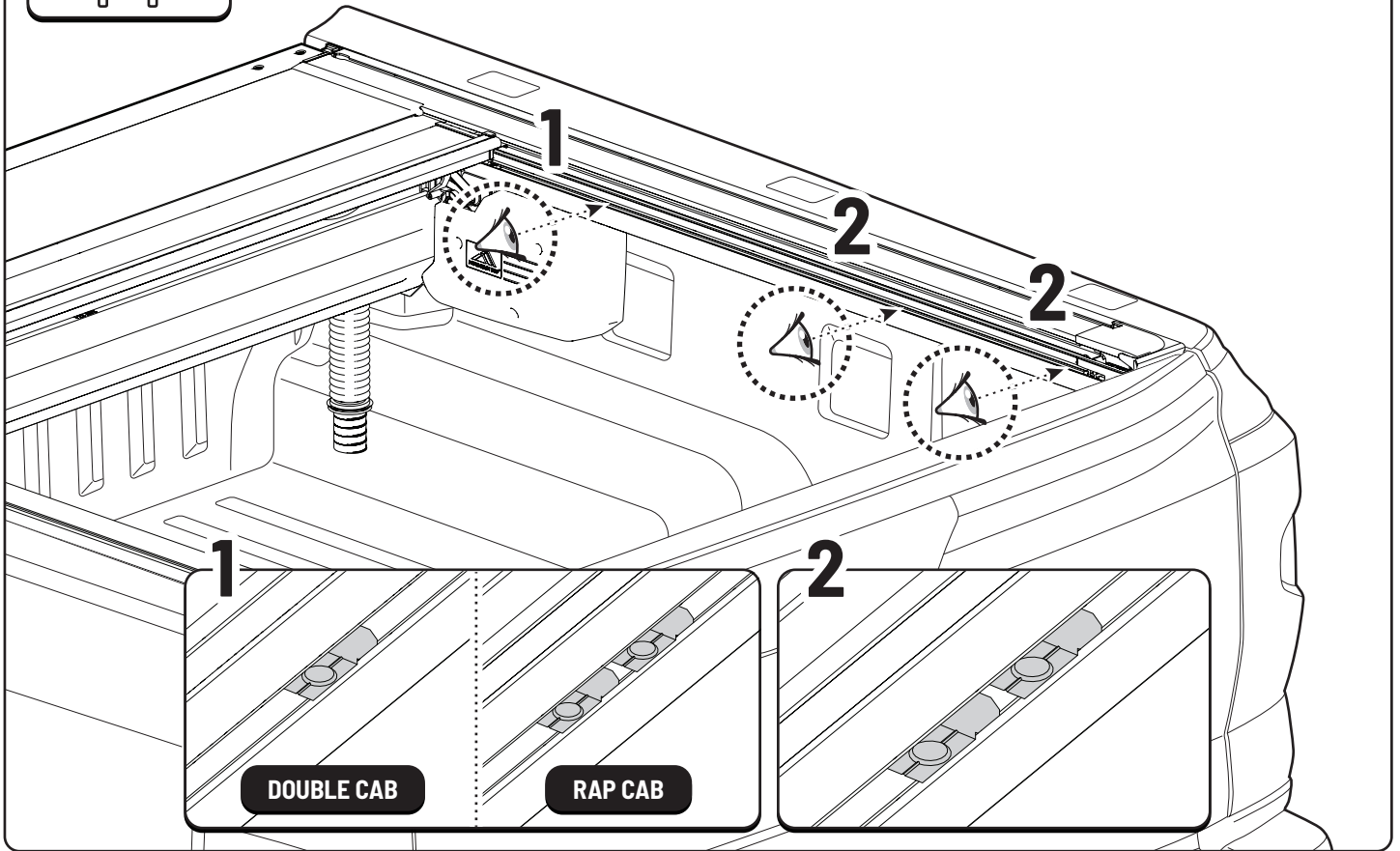










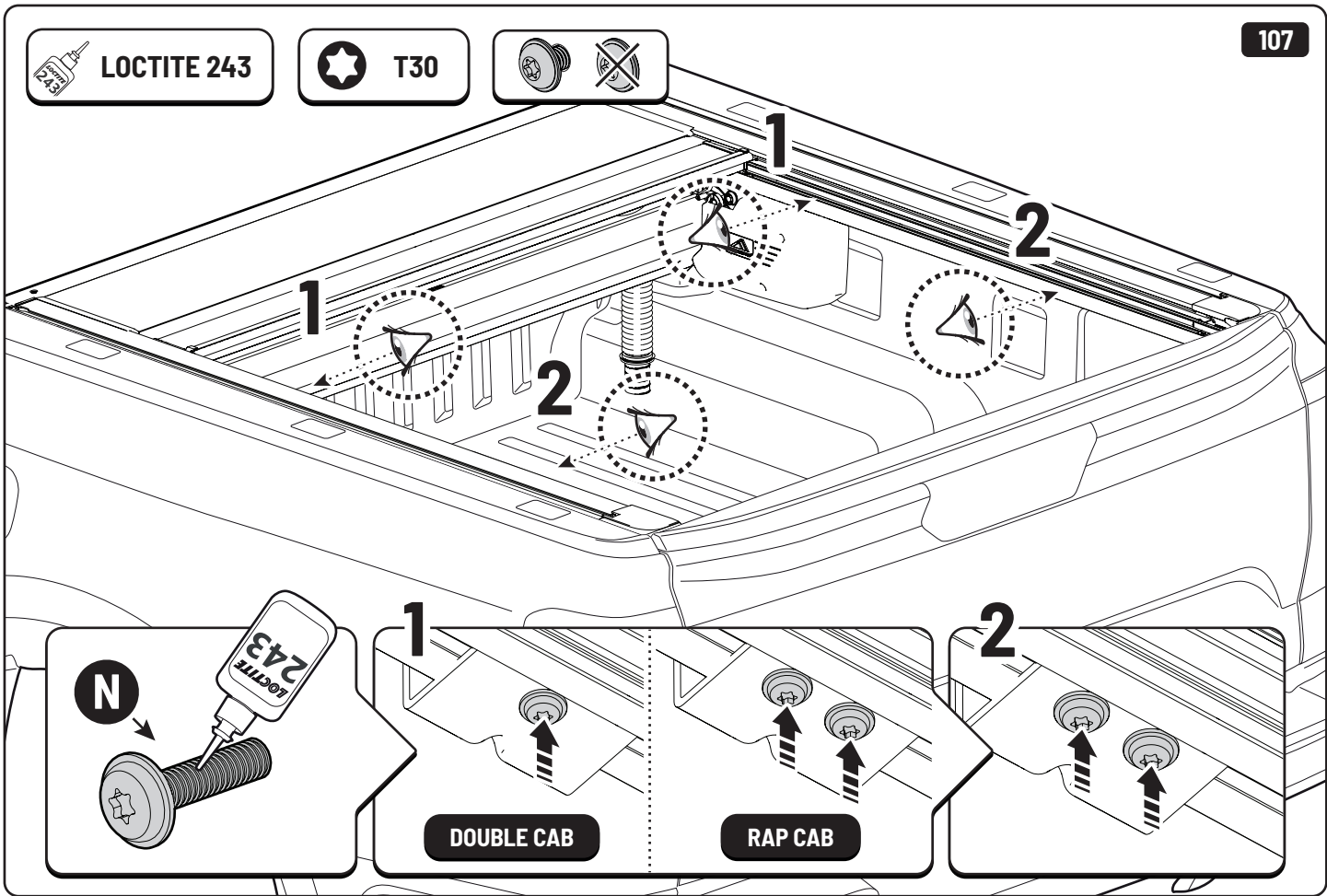


LOCTITE 243

T30



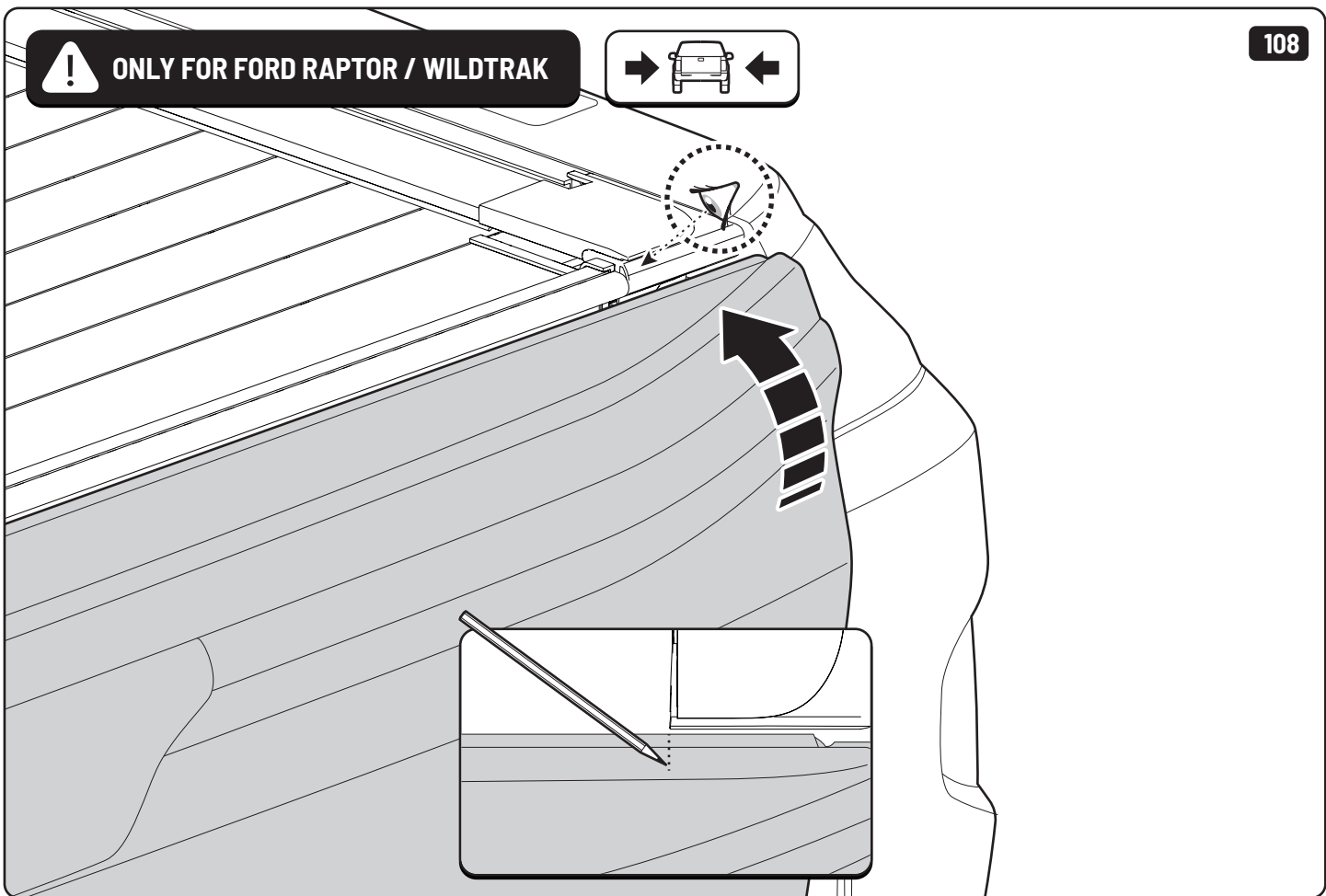
107



**!** ONLY FOR FORD RAPTOR / WILDTRAK



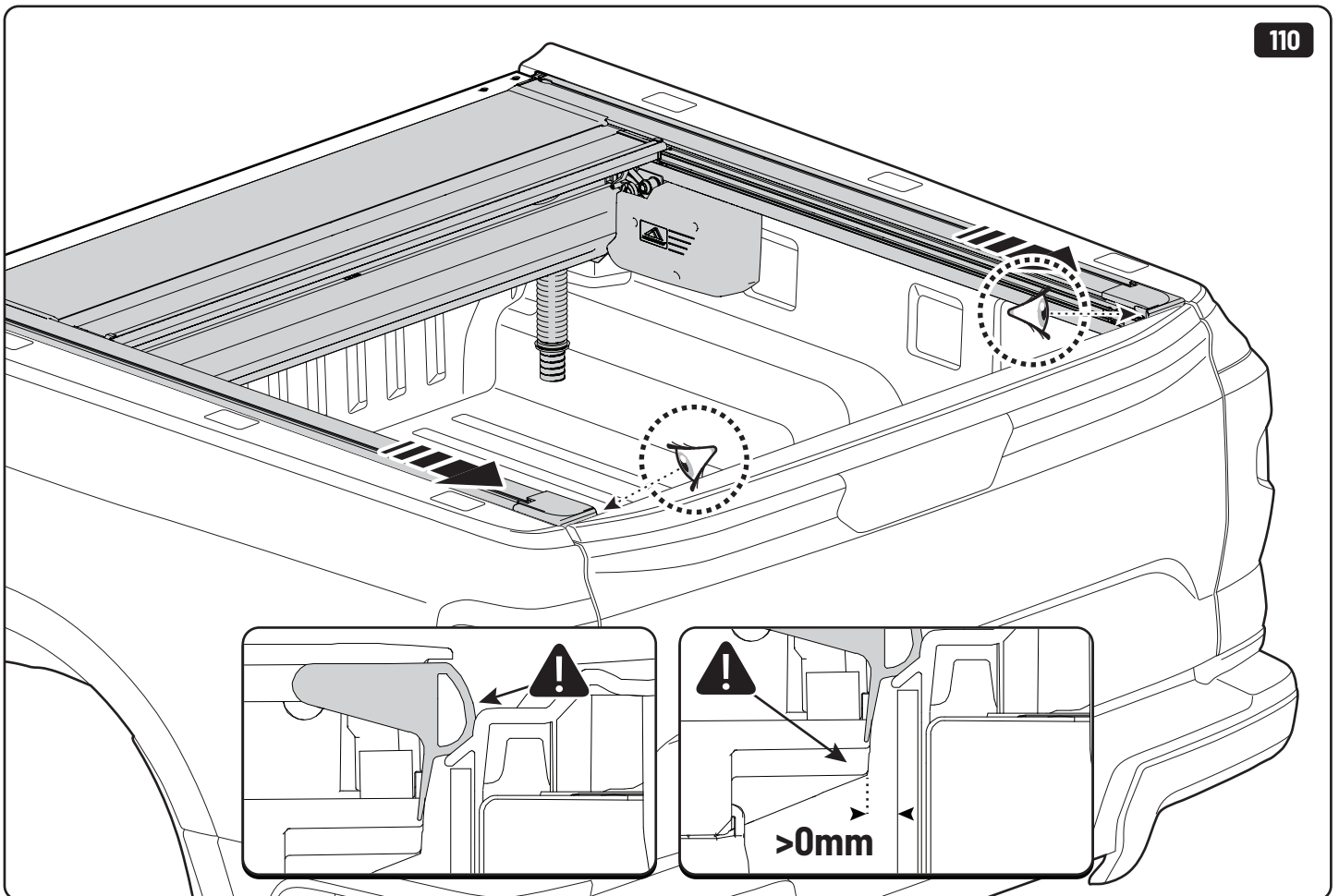
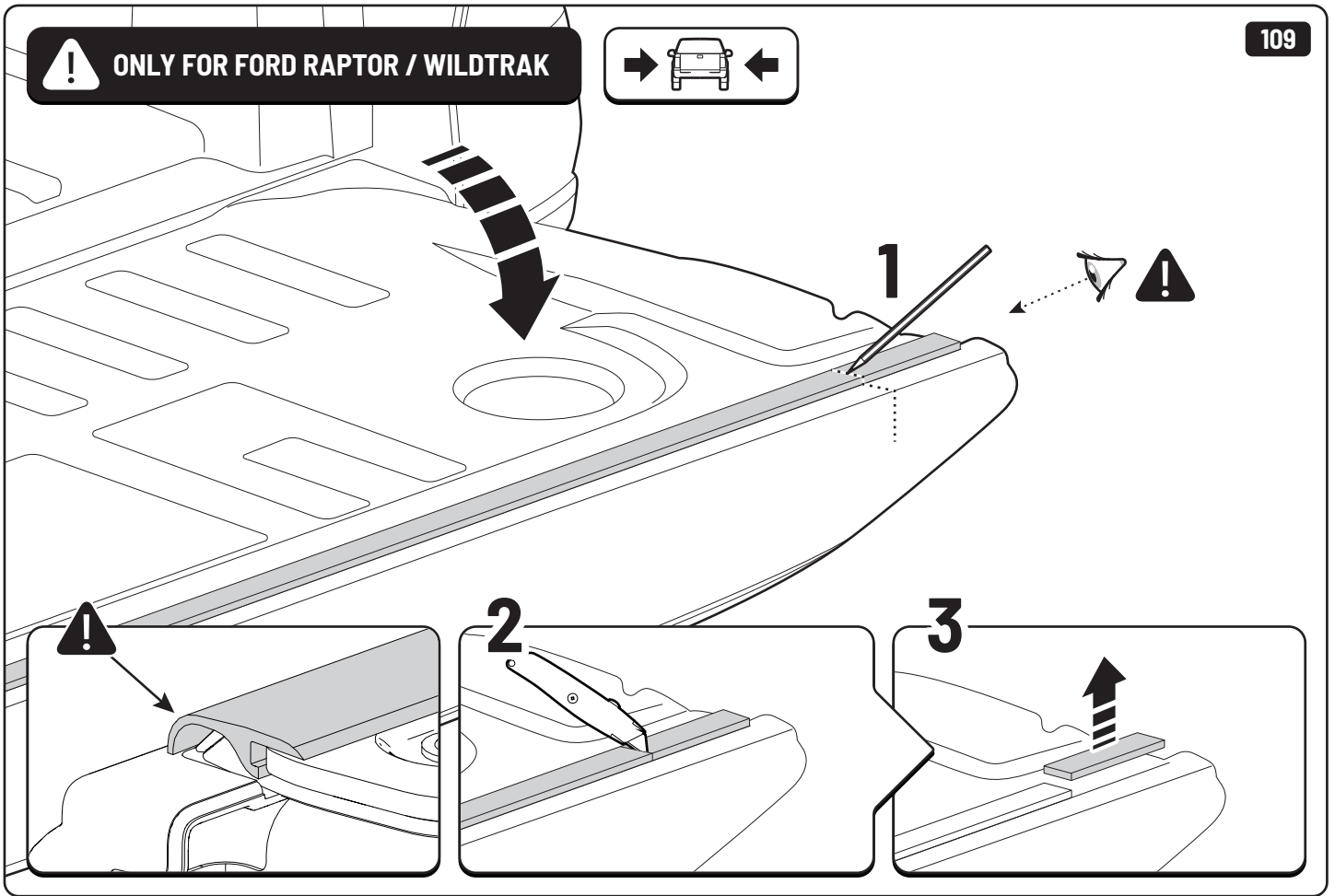
108



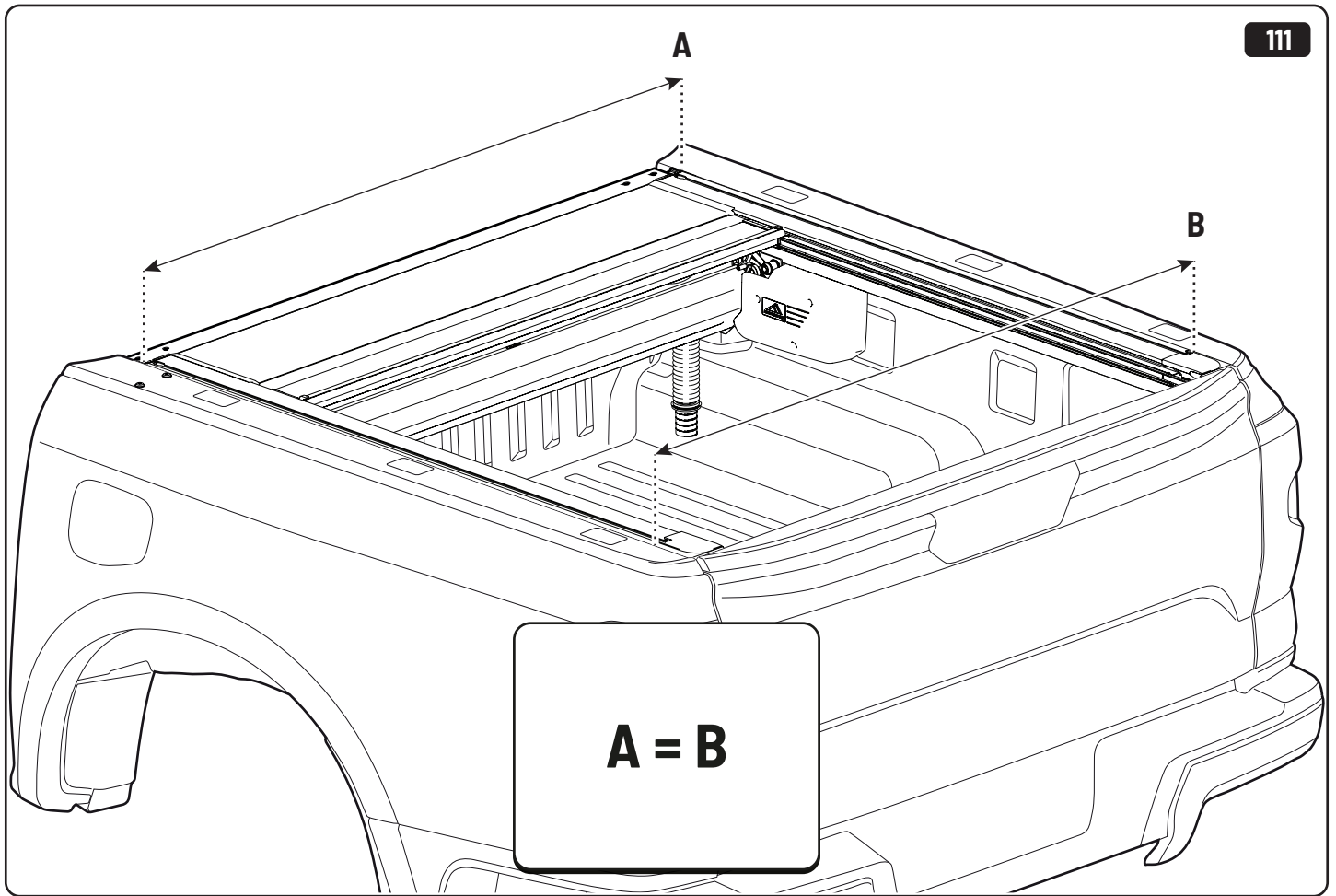
**!** ONLY FOR FORD RAPTOR / WILDTRAK



109

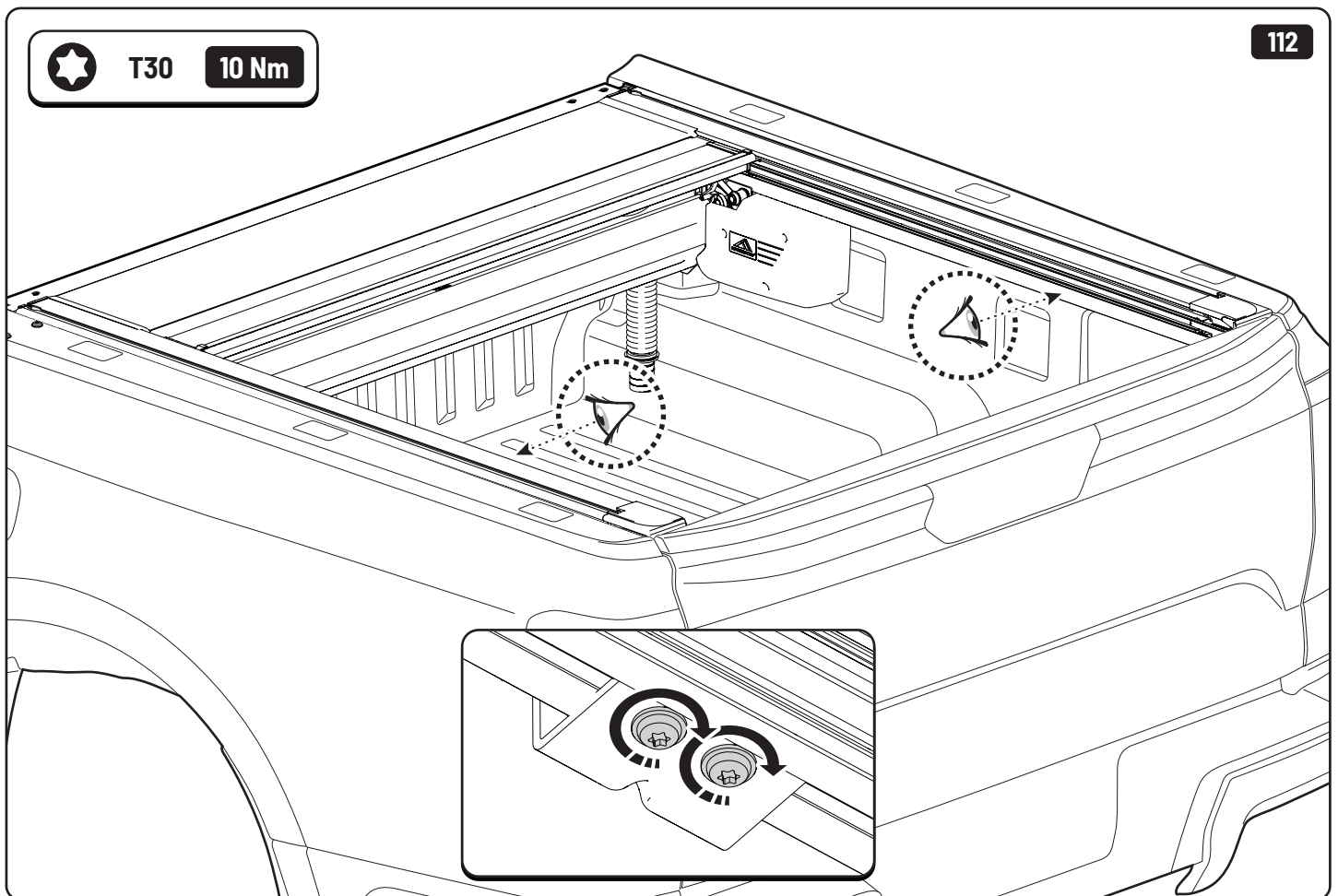


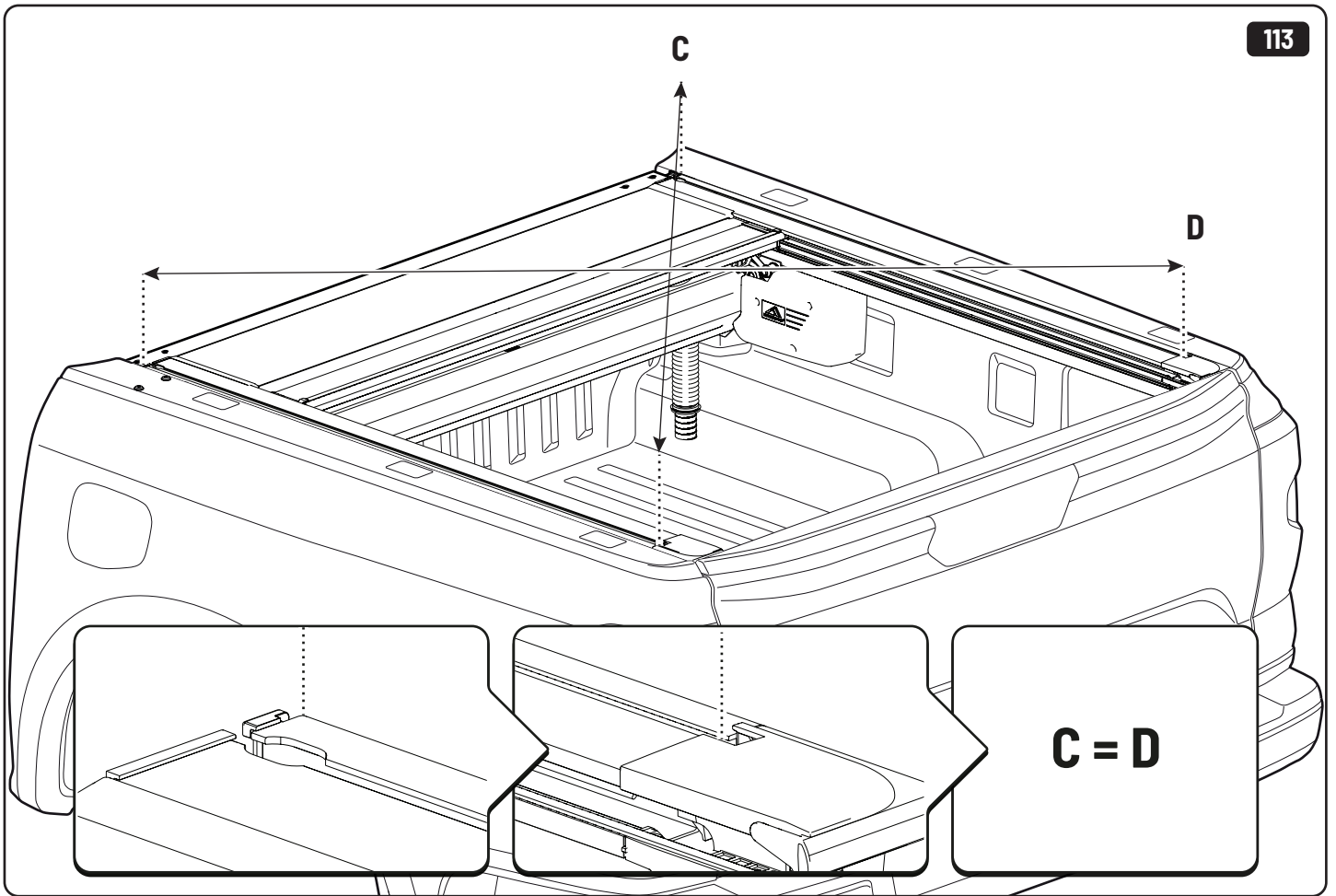
110



T30

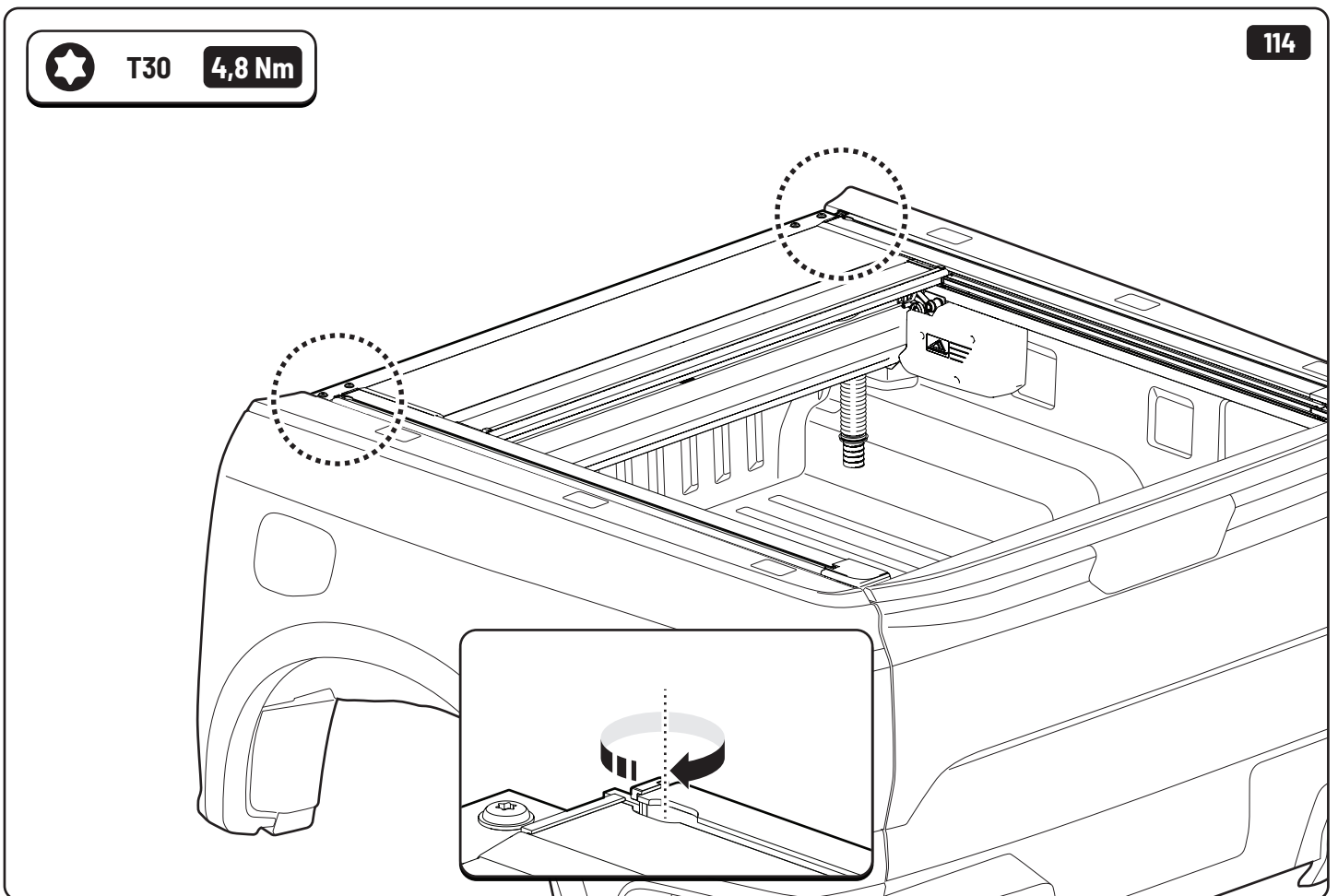
10 Nm



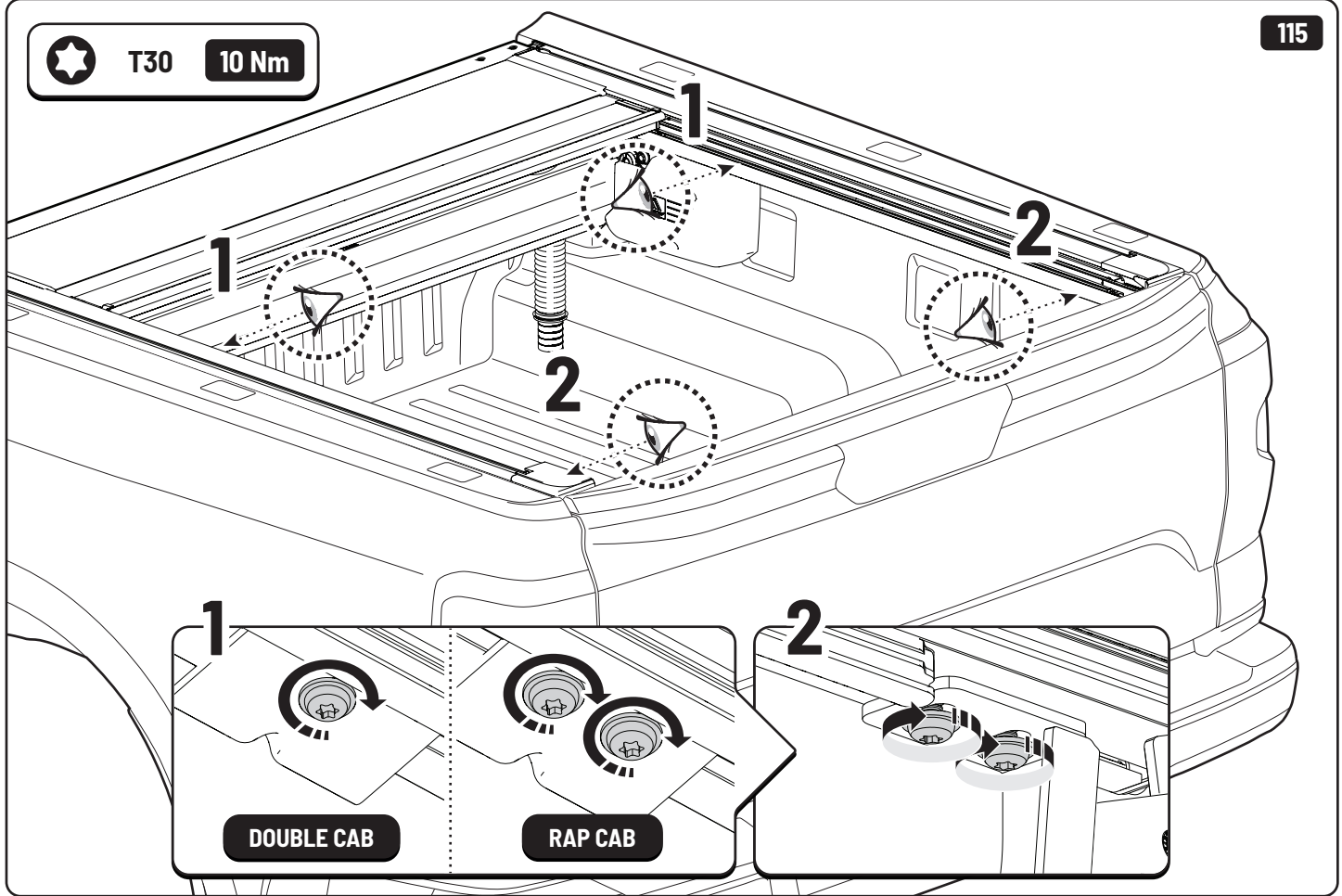


T30

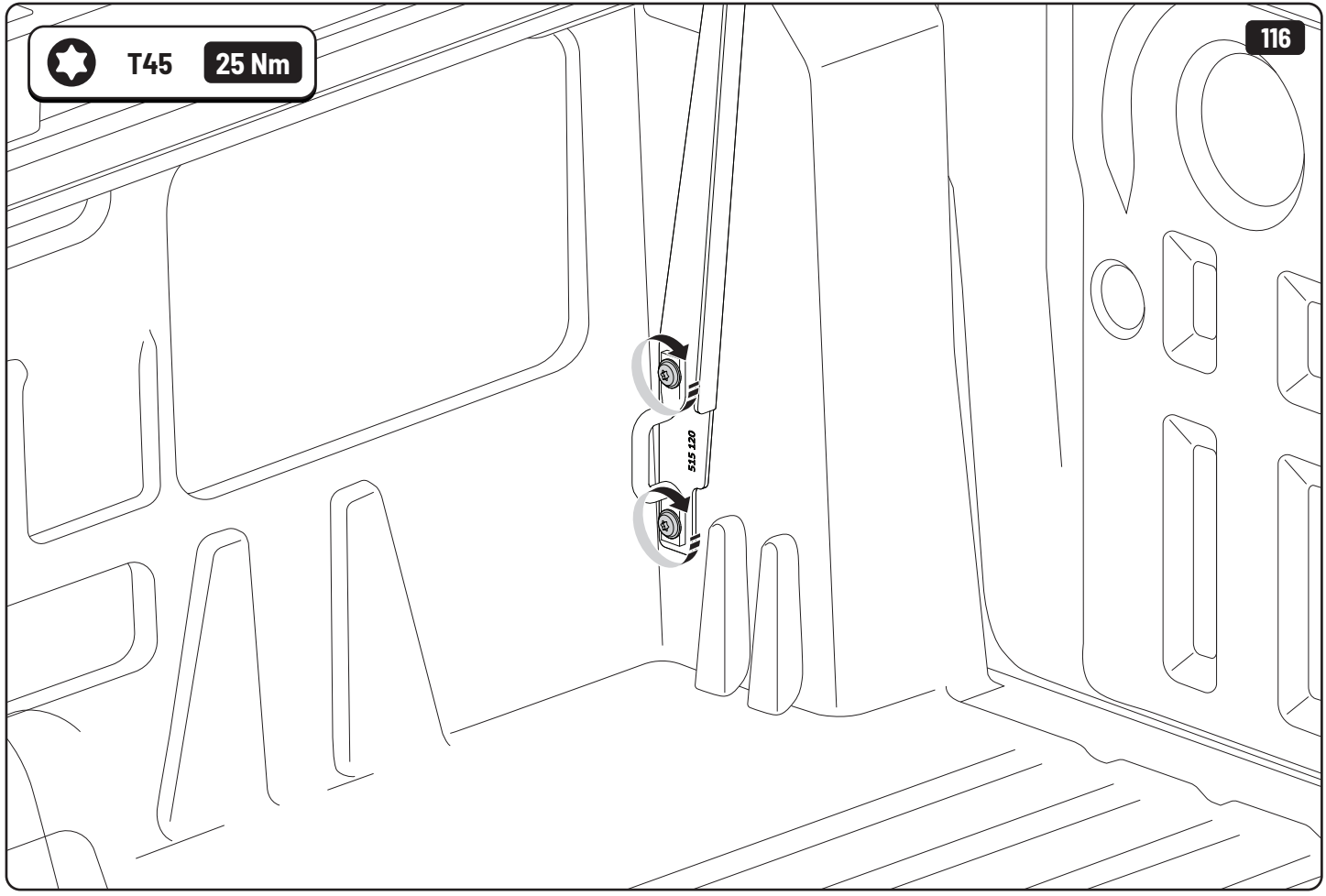
4,8 Nm



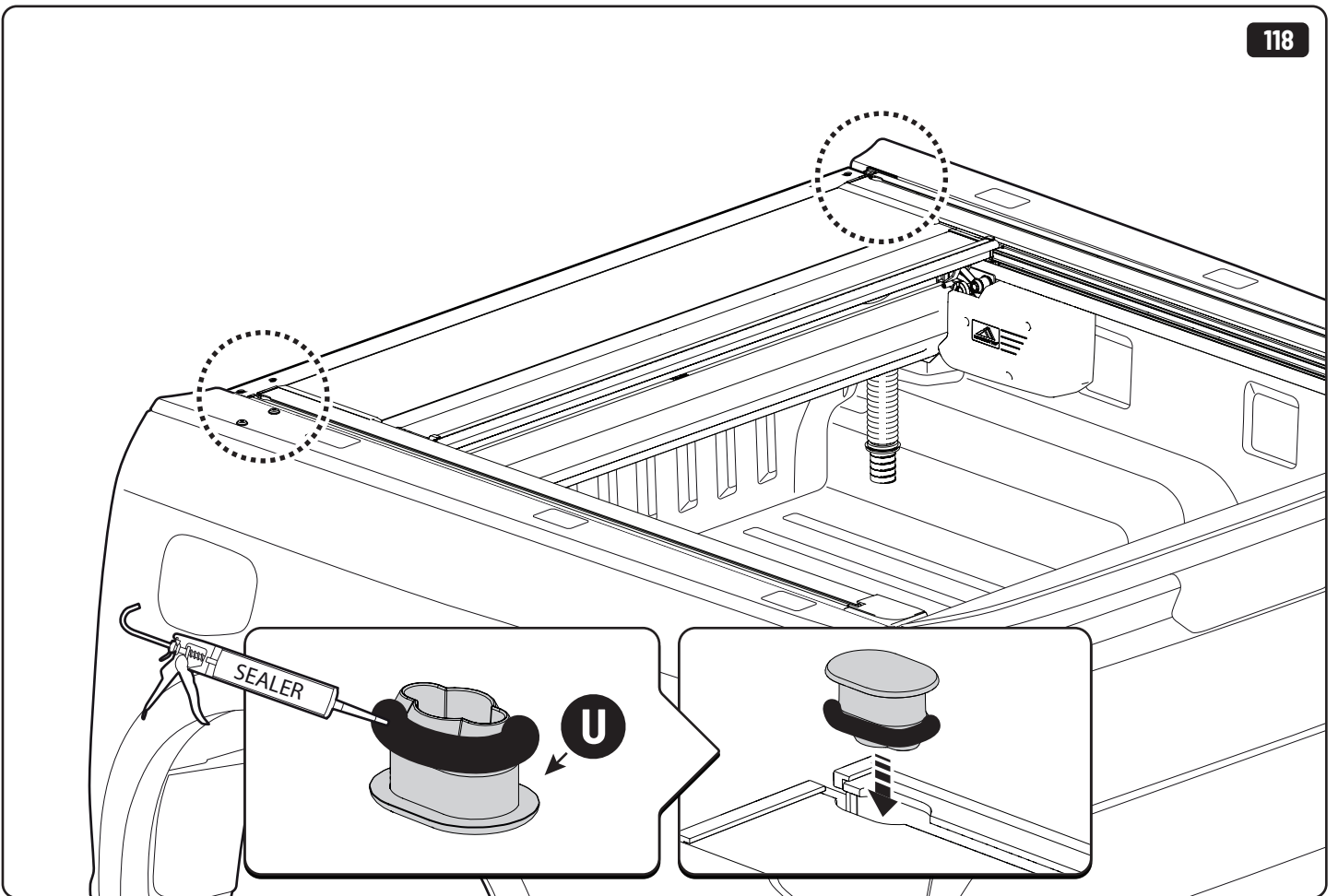
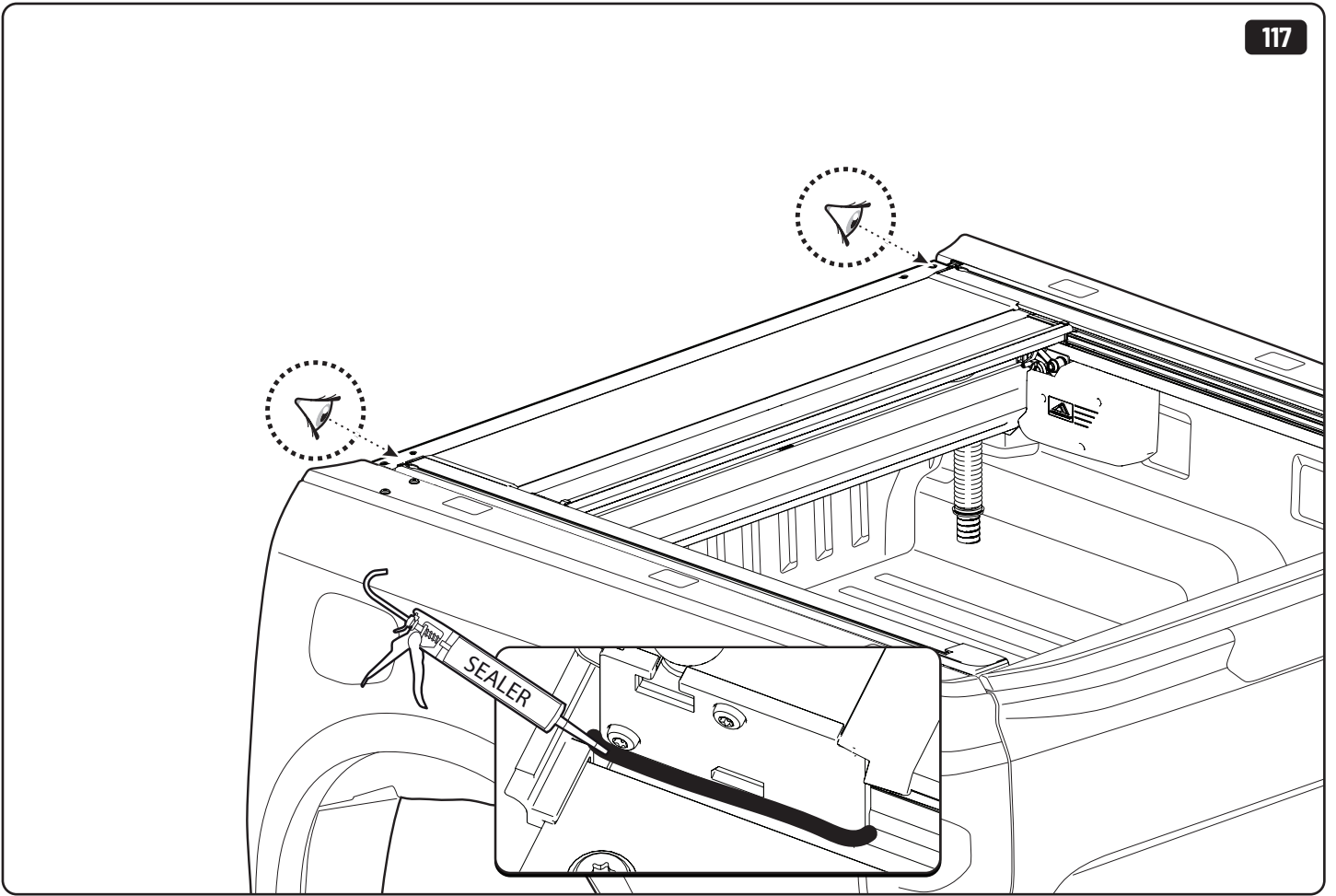
 T30 10 Nm

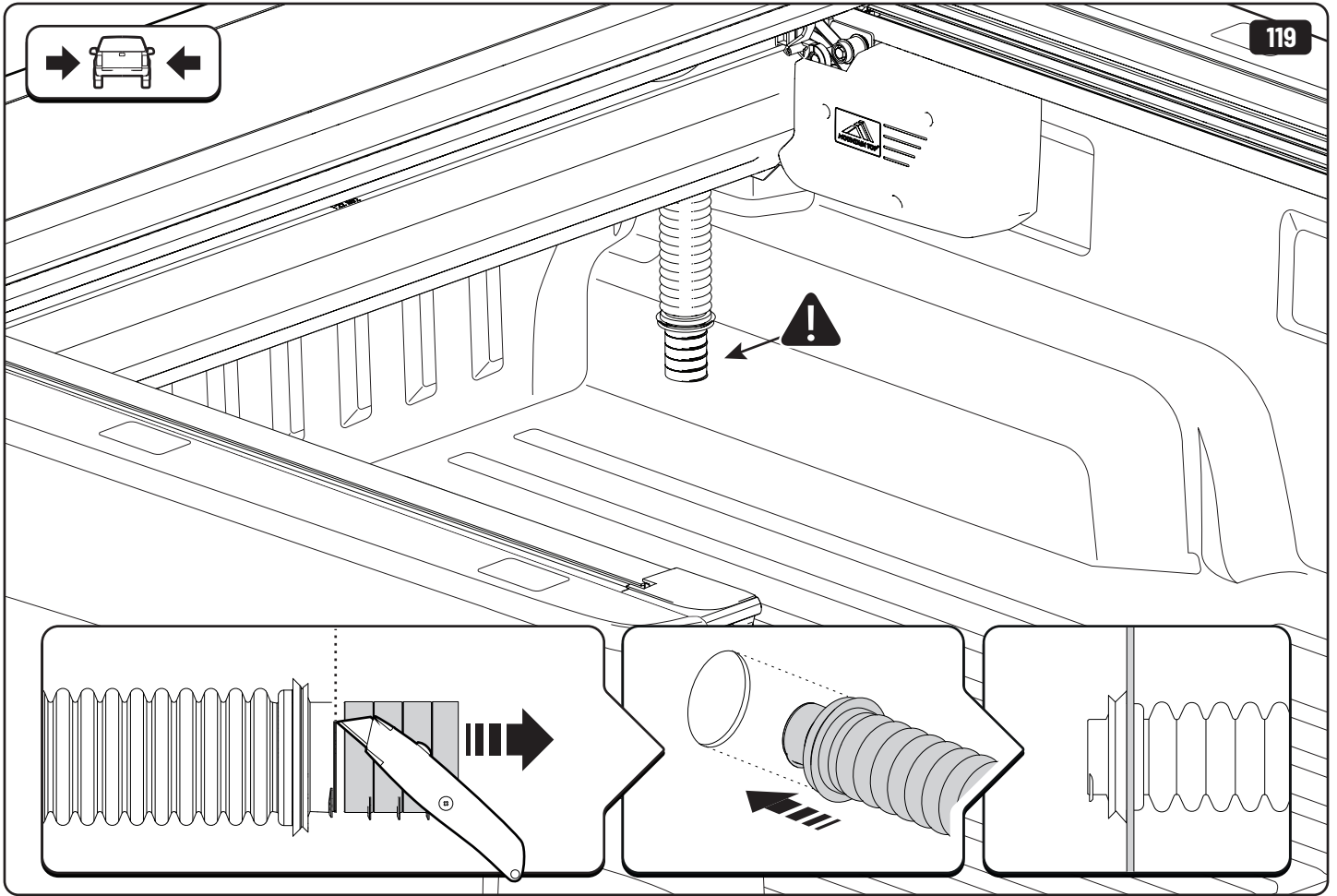
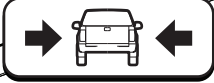


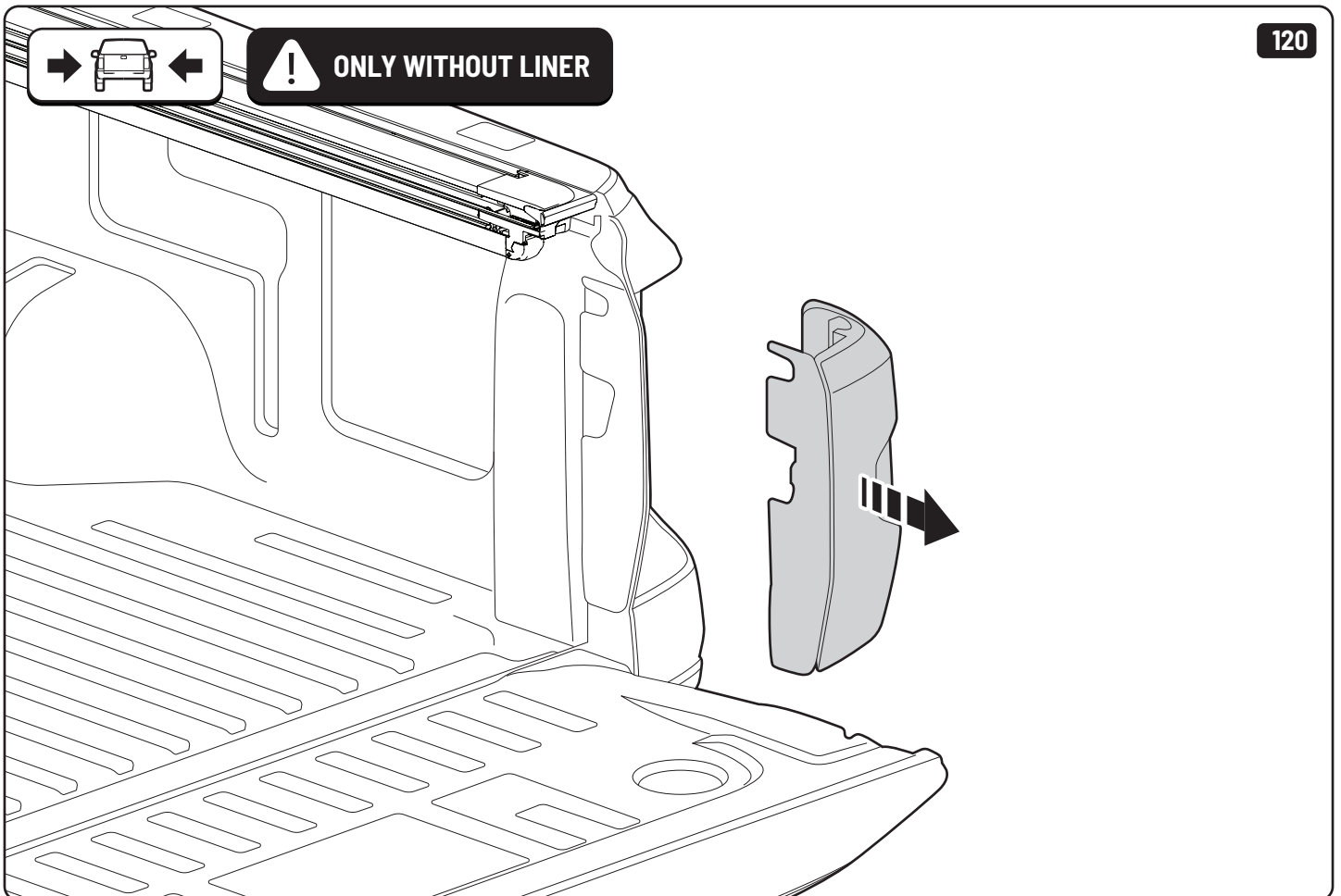
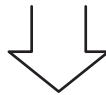
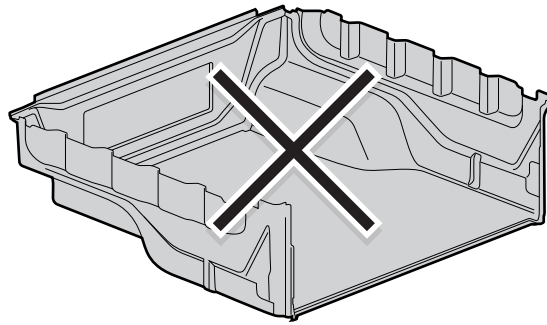
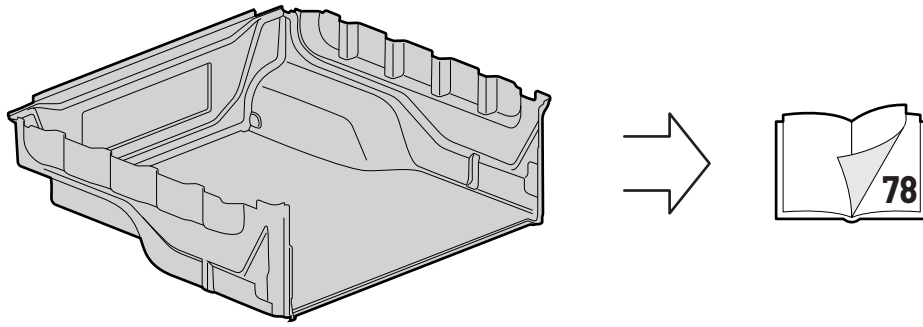
 T45 25 Nm





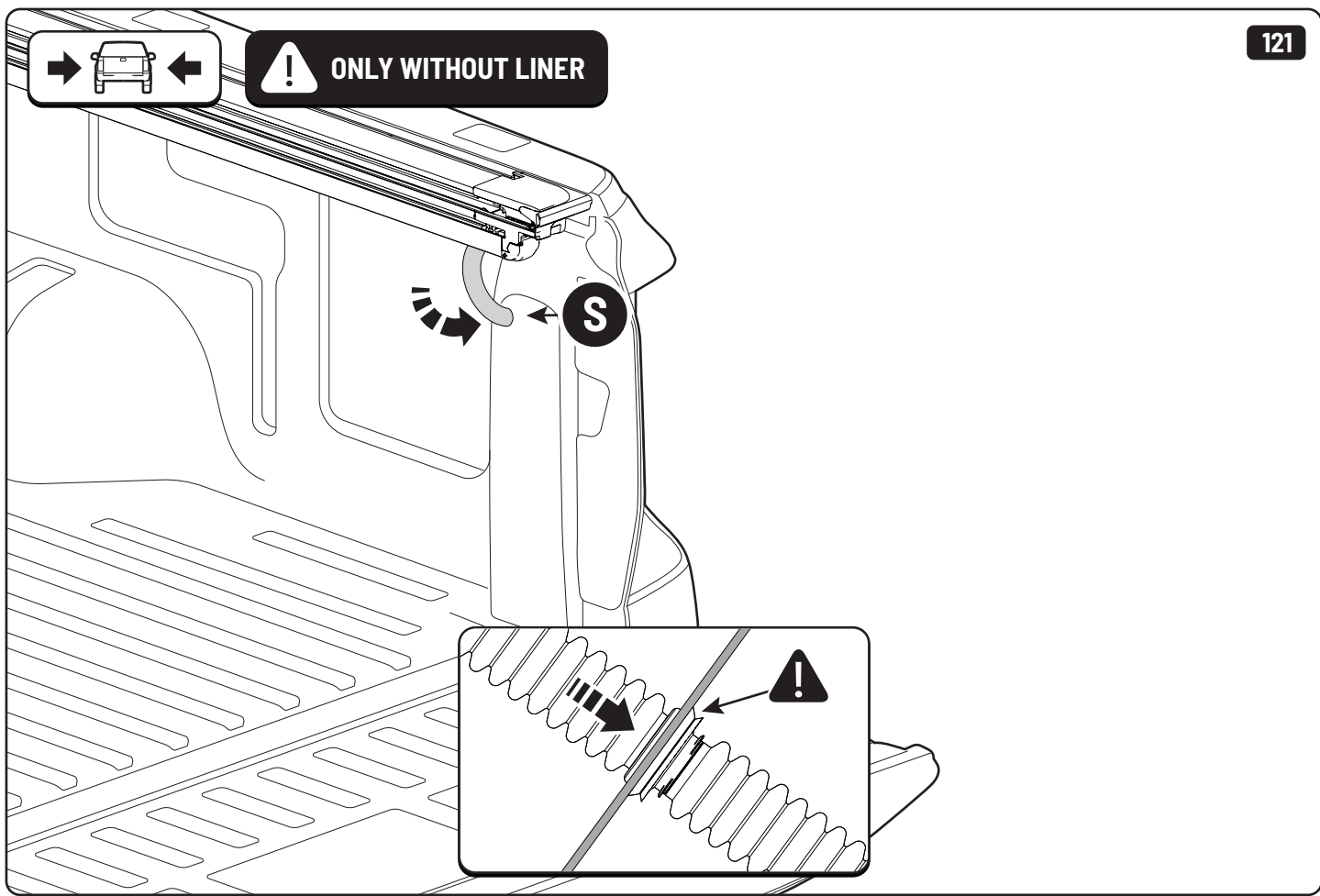




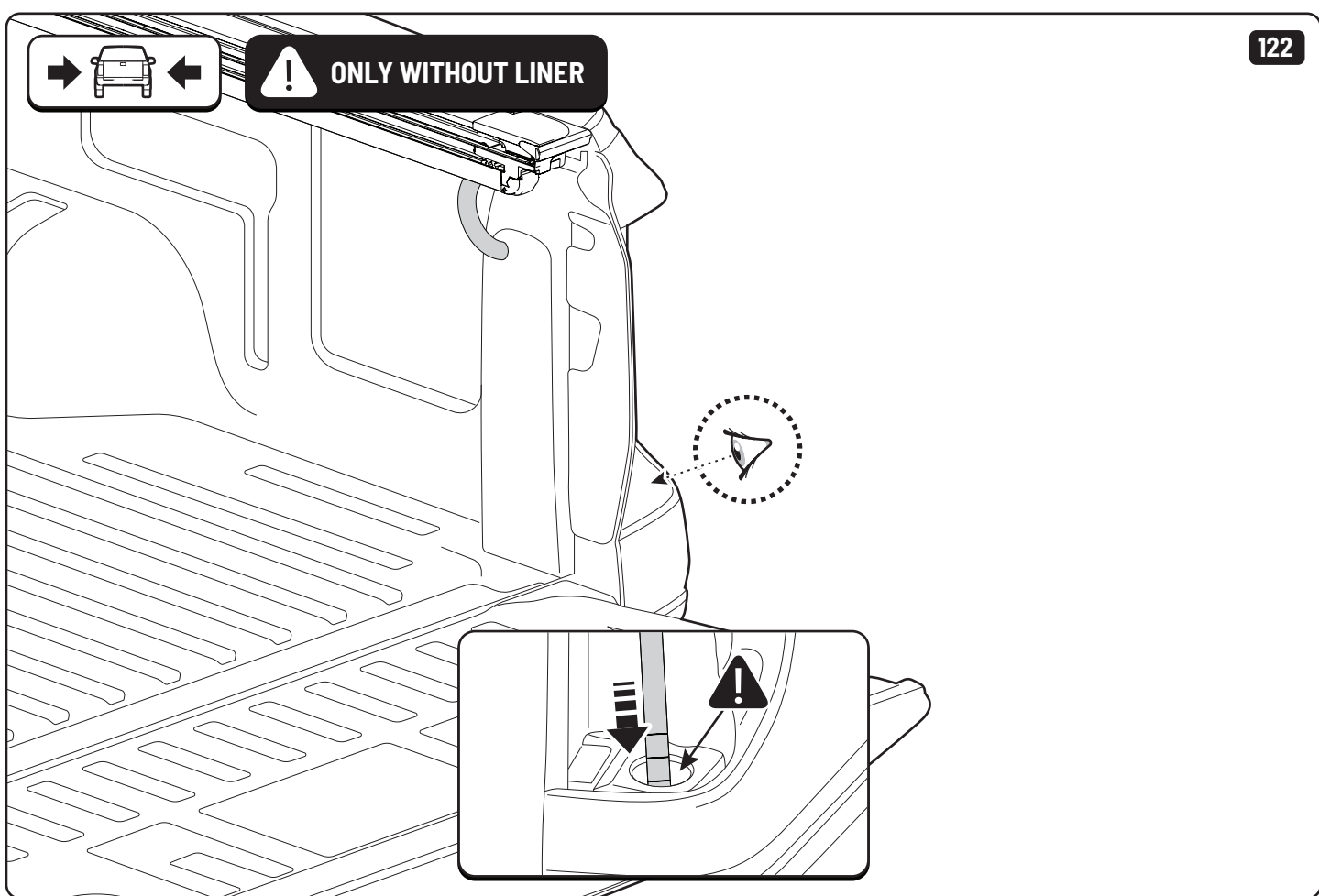




**! ONLY WITHOUT LINER**

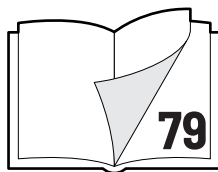
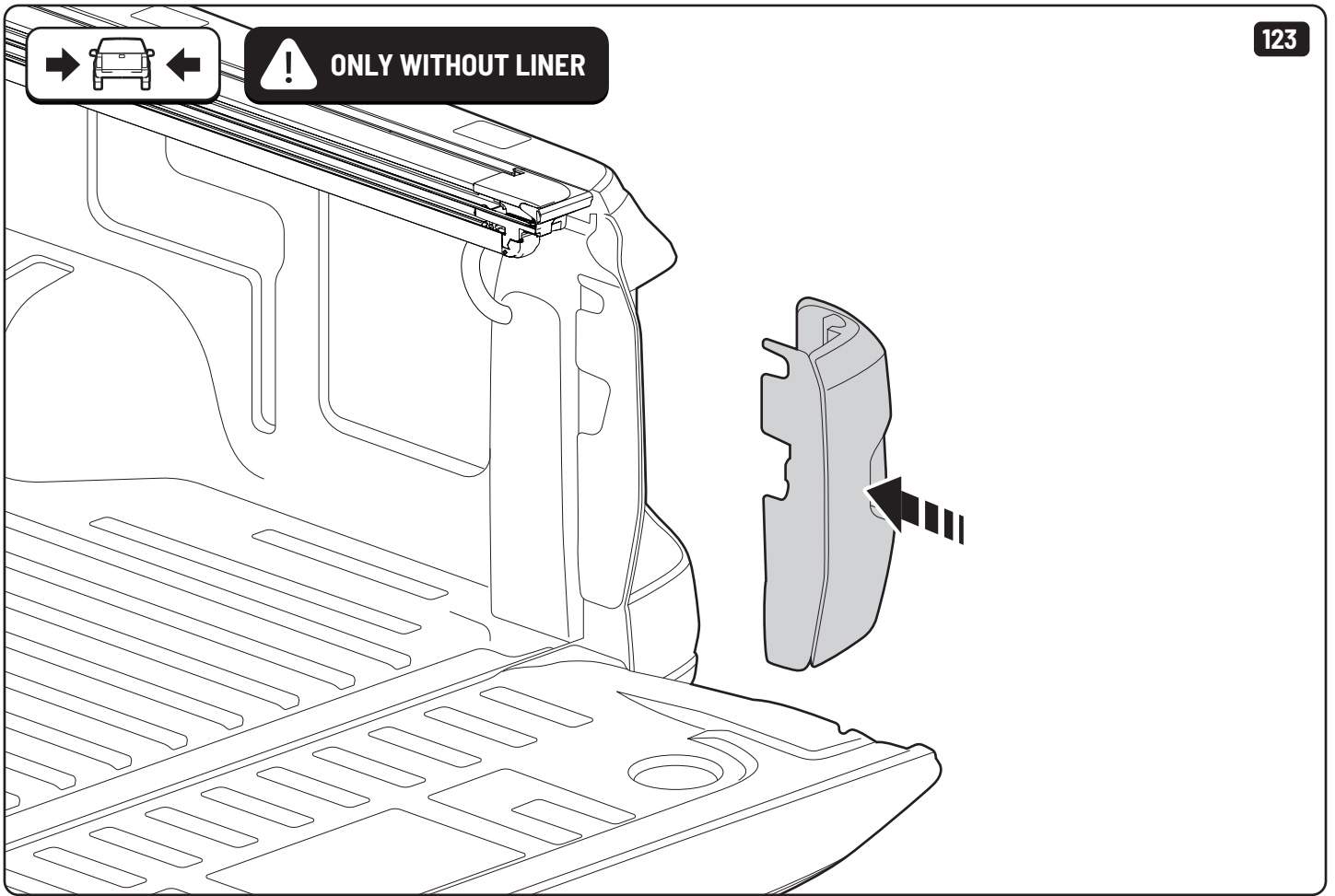


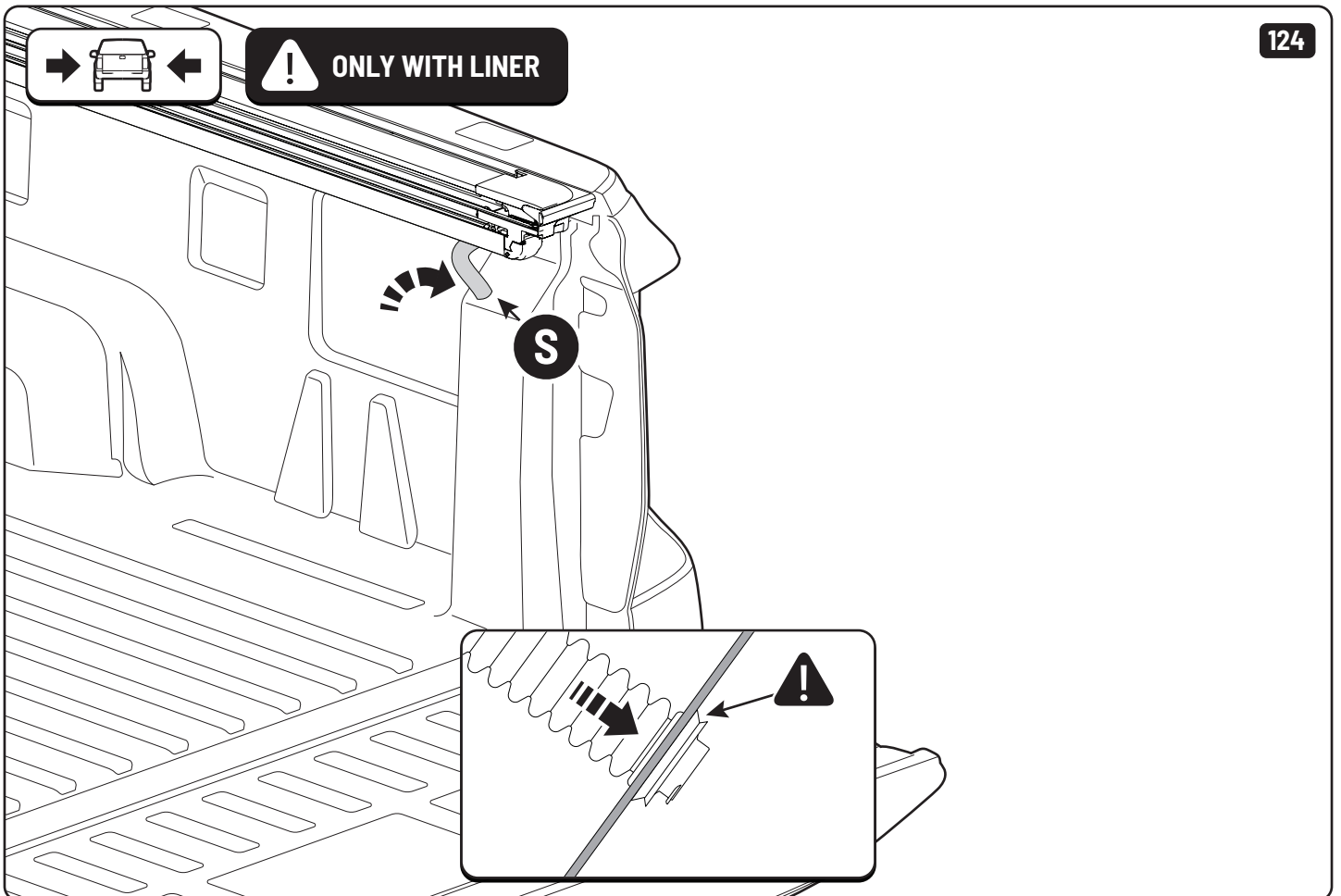
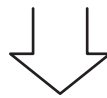
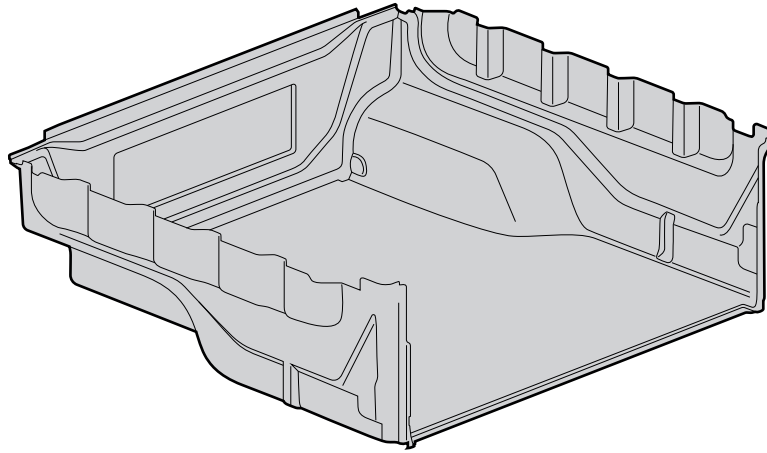
**! ONLY WITHOUT LINER**

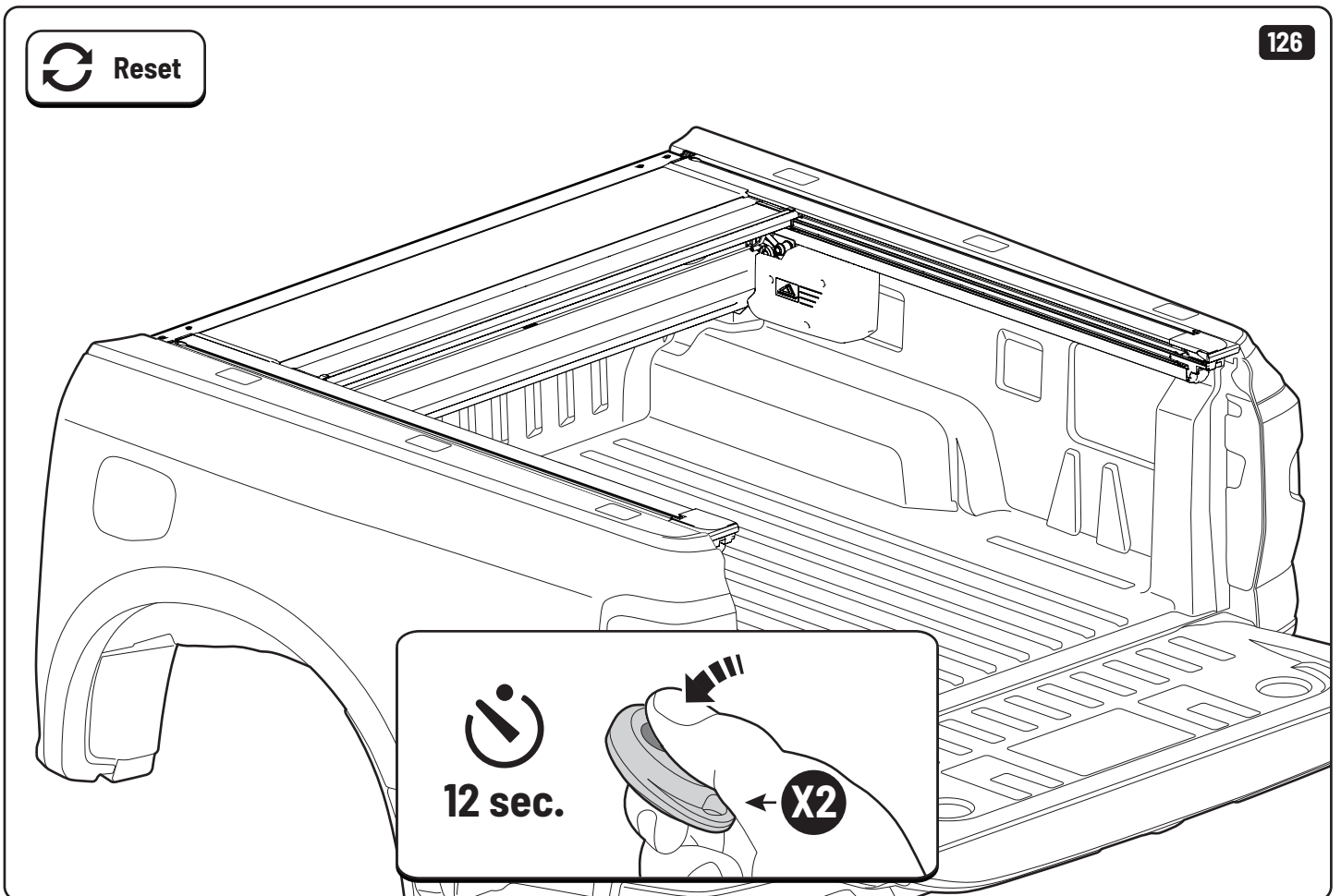
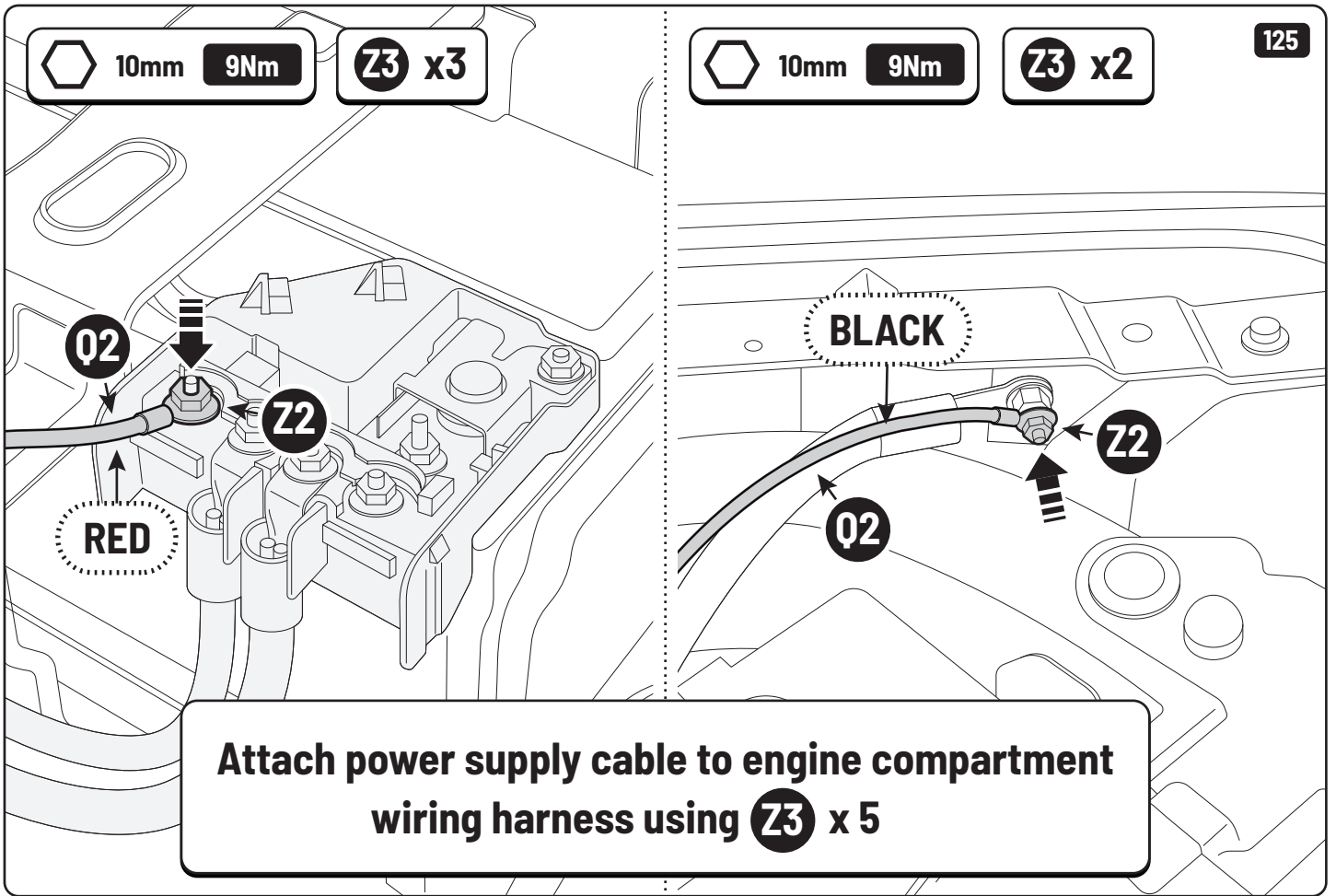


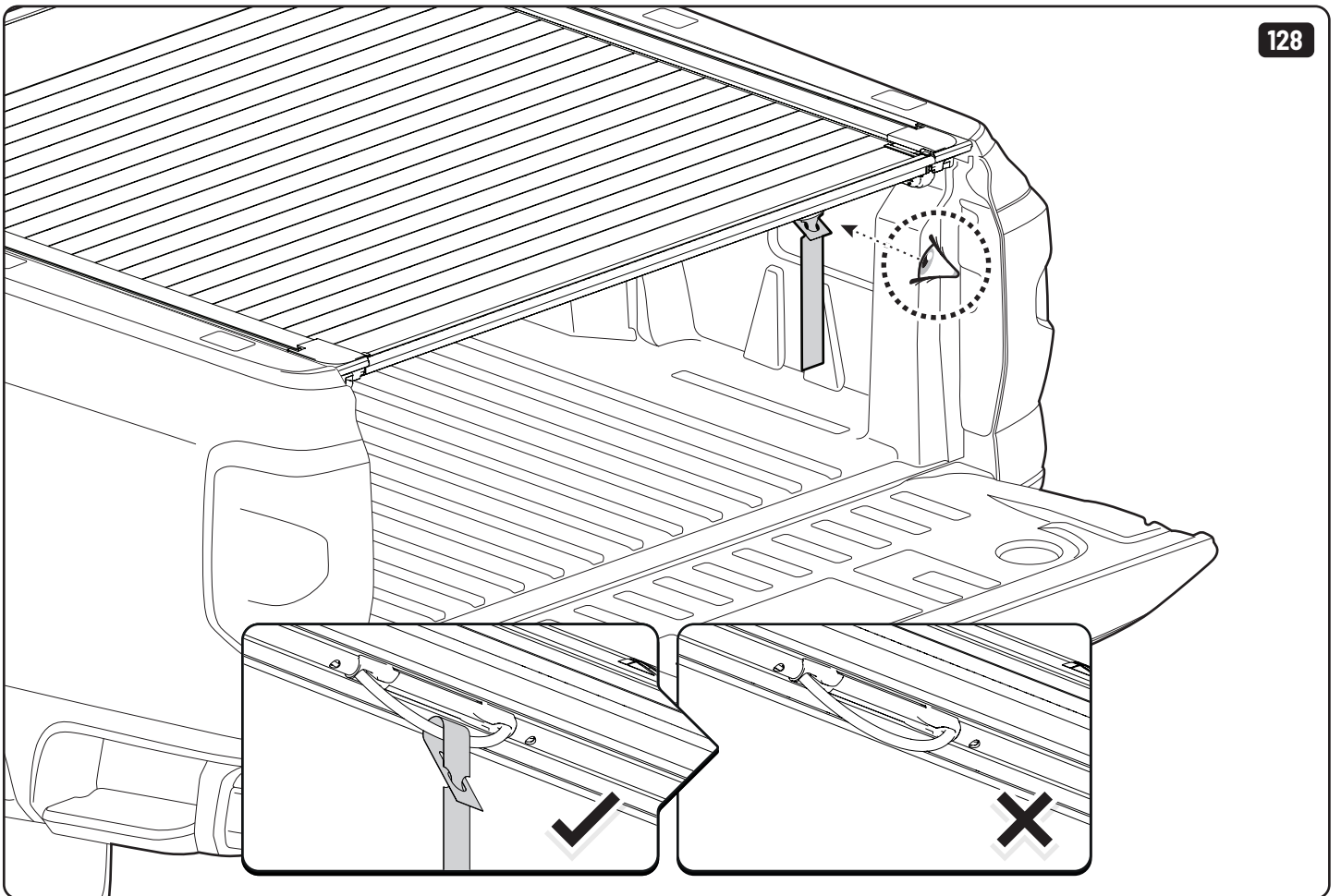
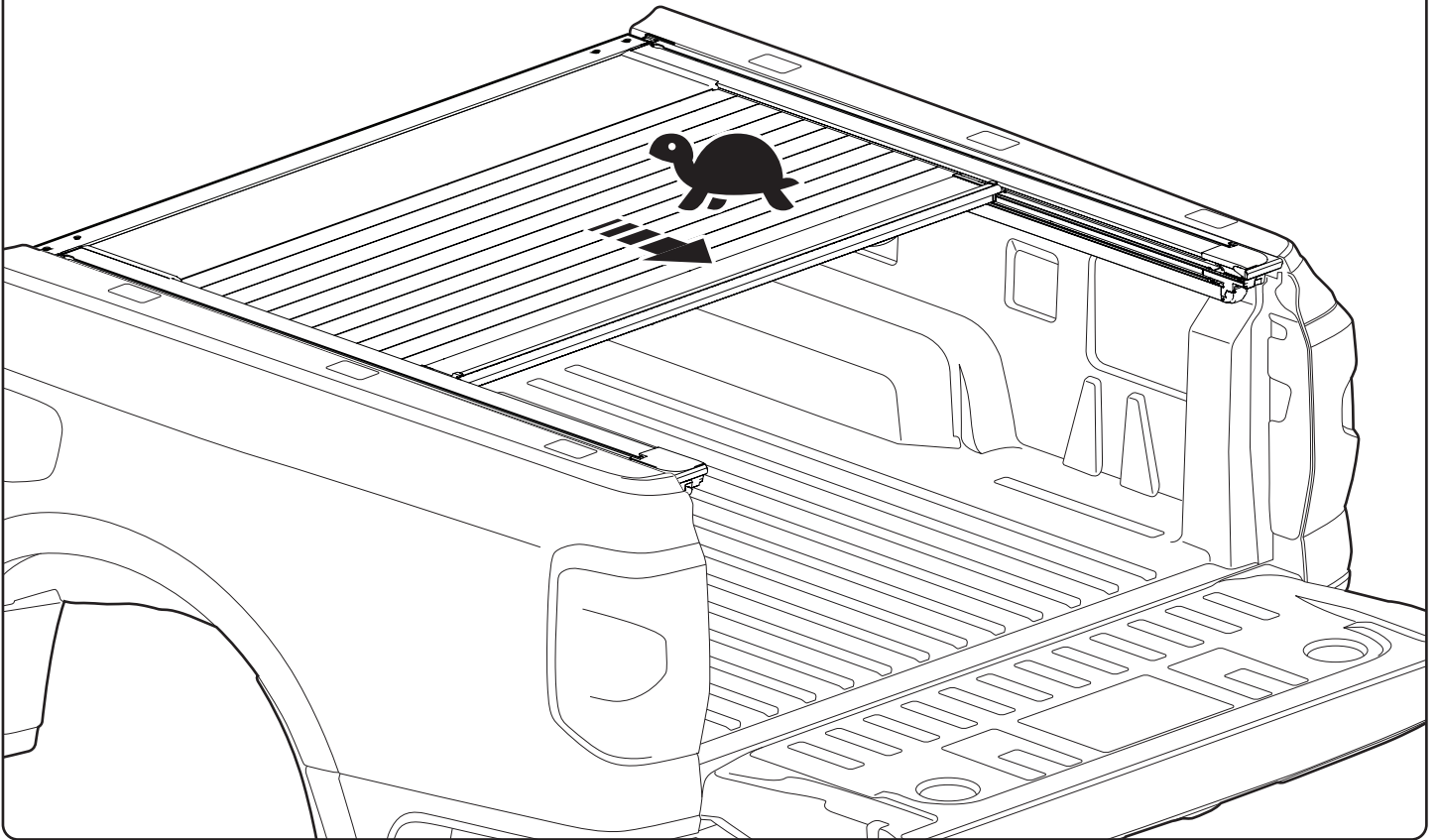


**! ONLY WITHOUT LINER**

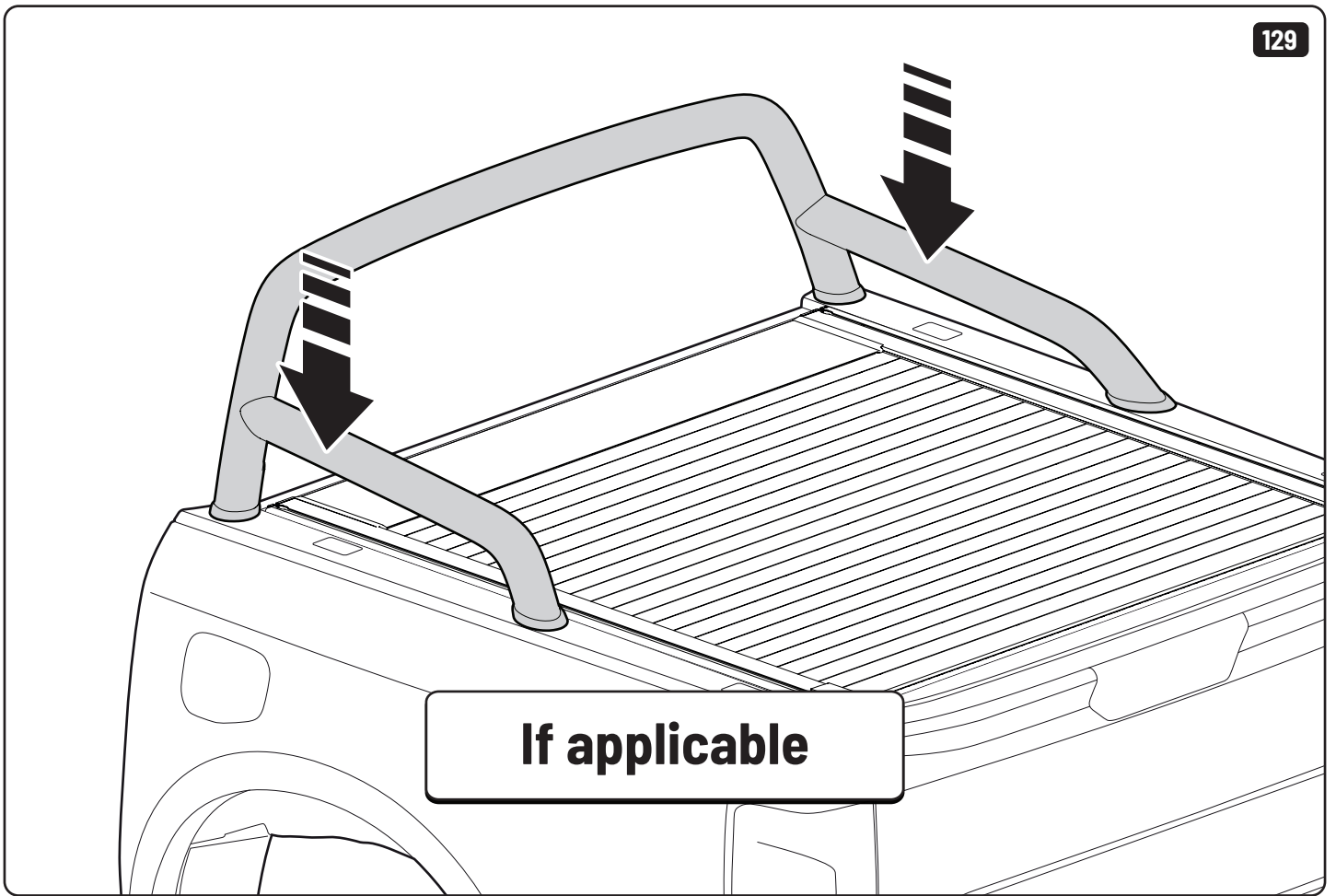












**If applicable**



Steps	Page	Done by
Mounting gliding rail in canister	19-20	
Holes for drain	34-37 / 39-43	
Width + Cross measurement	70+71	
Tightening bracket screws	70-72	
Mounting drain	74+75-77 / 78	
Calibrate EVOe	79-80	





Customer Service +45 4810 2950 (08:00 - 16:00 CET)  
Support info@mountaintop.dk  
Website www.mountaintop.dk  
Address Pedersholmparken 10, 3600 Frederikssund, Denmark

Part number (s)	Model / Year	Cab type (s)	Installation time	Weight
EVOe FO10 HB02	Ford Ranger/ 2022 ->	Double Cab	2 hour (s)	33 kg
EVOe FO11 HB02	Ford Ranger/ 2022 ->	Rap Cab	2 hour (s)	40 kg

<b>GB</b> Installation manual	<b>S</b> Monteringsanvisning	<b>D</b> Einbauanleitung
<b>SF</b> Asennusohje	<b>E</b> Instrucciones de montaje	<b>CZ</b> Návod k instalaci
<b>F</b> Notice de montage	<b>H</b> Szerelési utasítás	<b>I</b> Istruzioni di montaggio
<b>PL</b> Instrukcja montażu	<b>P</b> Instruções de instalação	<b>GR</b> Οδηγίες Εγκατάστασης
<b>NL</b> Installatie-instructies	<b>RUS</b> Инструкция по установке	<b>DK</b> Monteringsvejledning
<b>TR</b> Montaj Talimatı	<b>N</b> Monteringsveiledning	<b>RO</b> Instructiuni de instalare