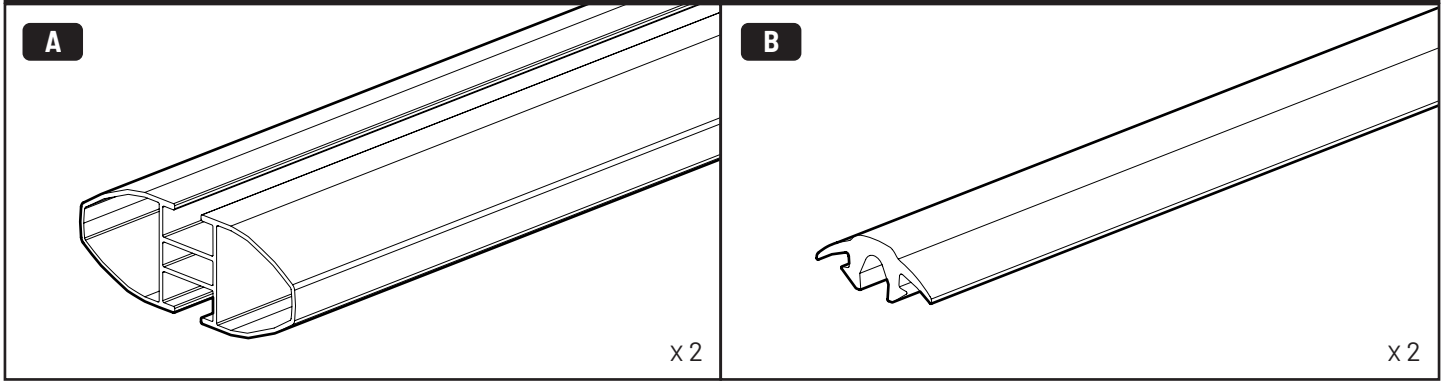


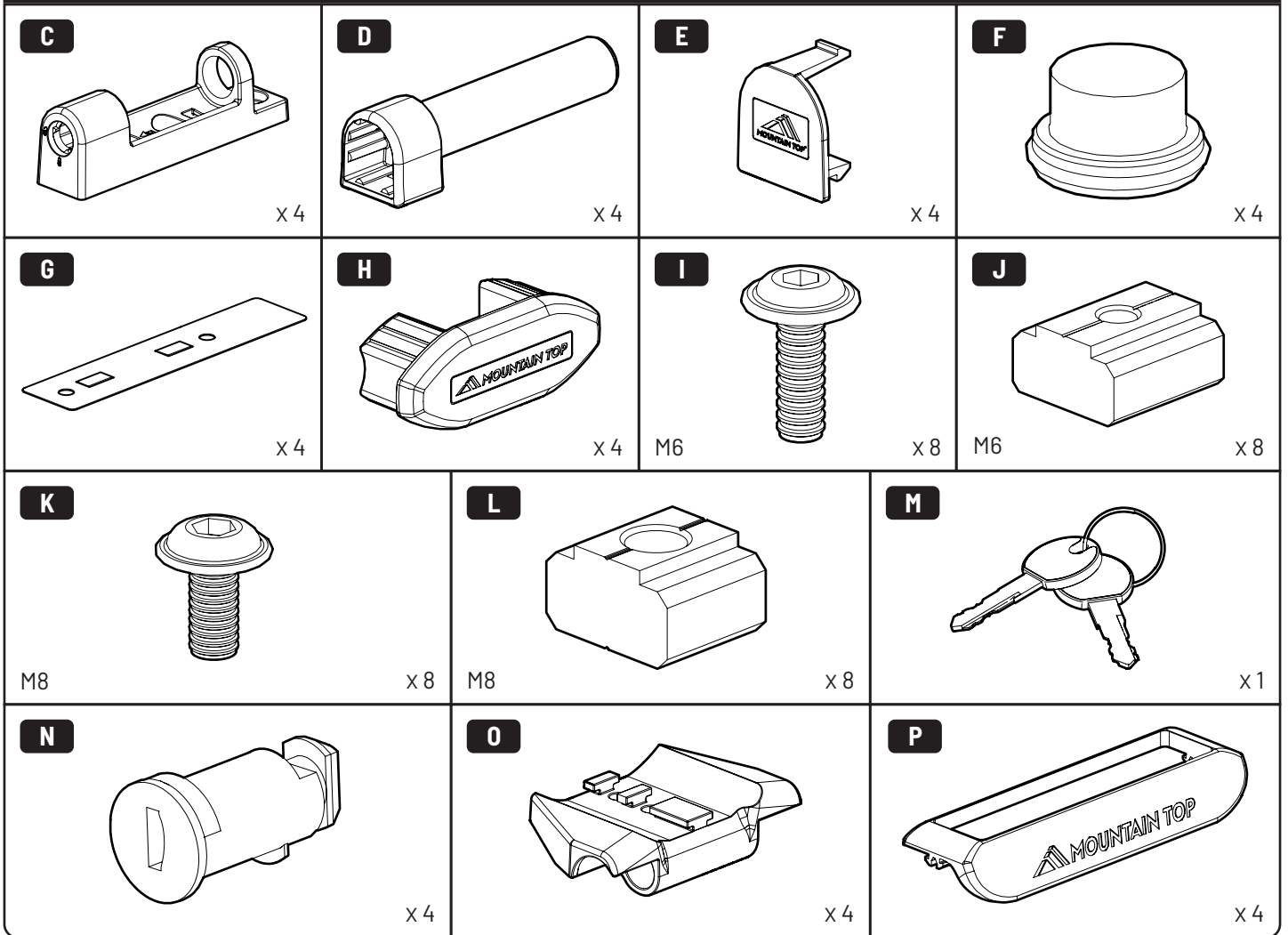
# **MOUNTAIN TOP® CROSS BAR (CURVED)**

Installation manual

Parts



Kit



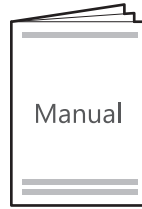
Kit

Q



x1

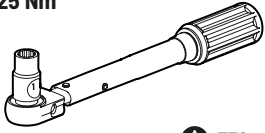
R



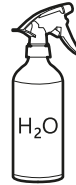
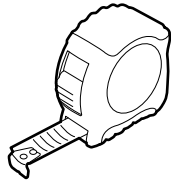
x1

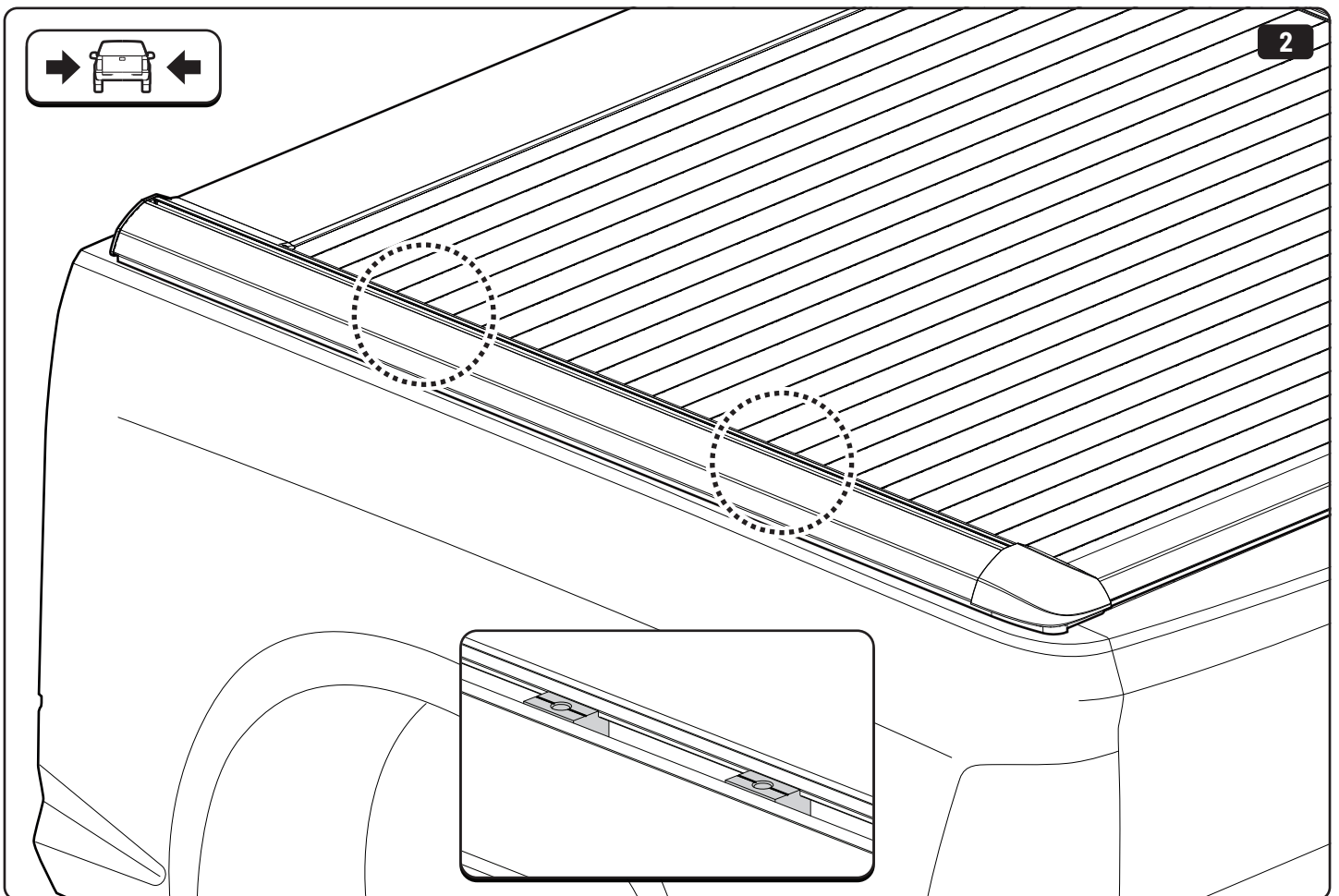
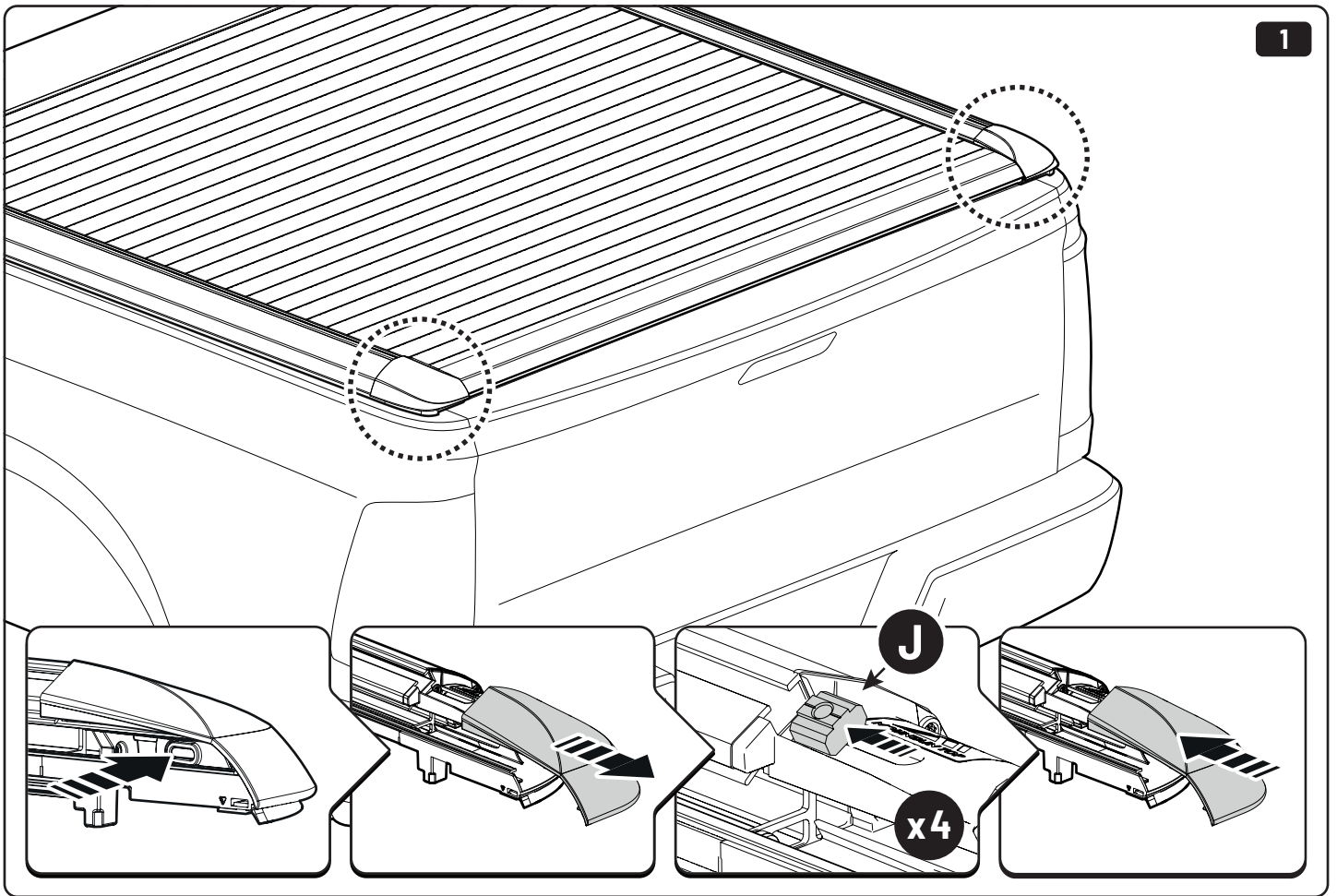
Tools and materials needed

1-25 Nm

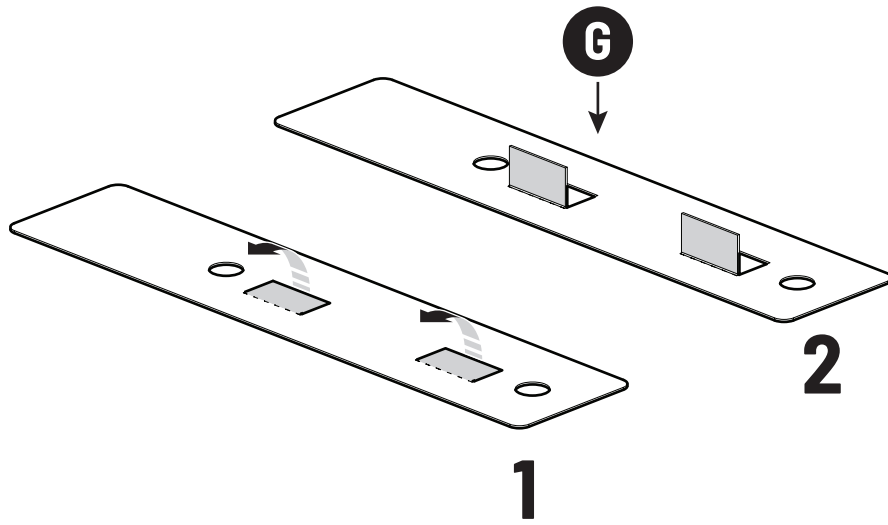


T30 + T40



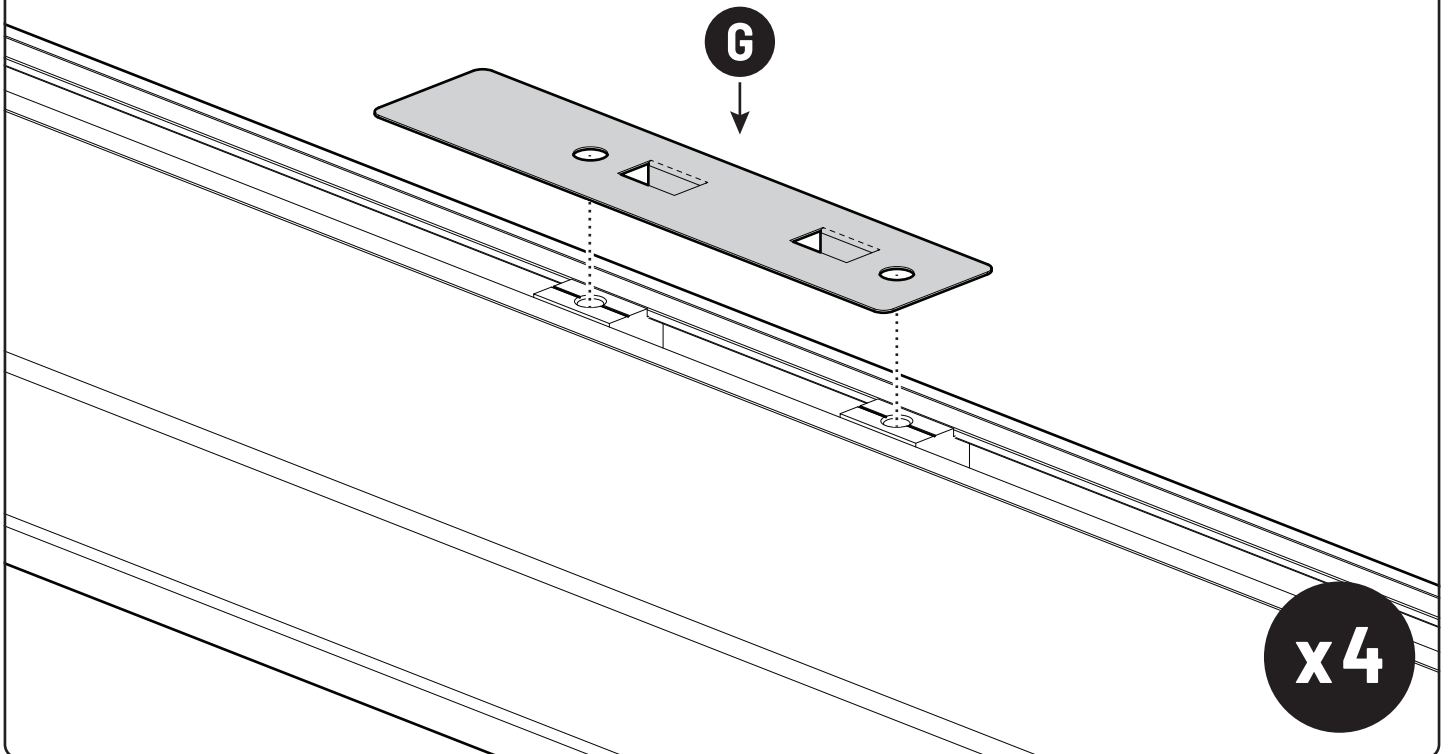


3



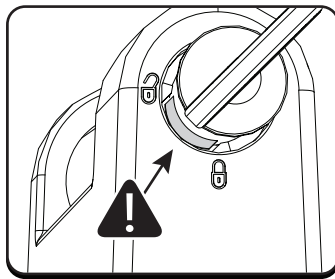
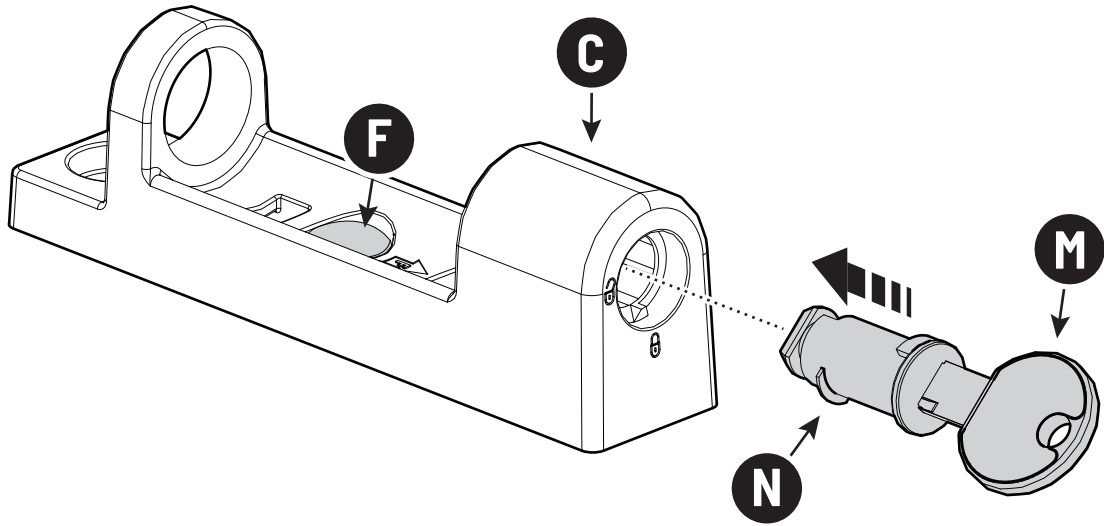
x4

4



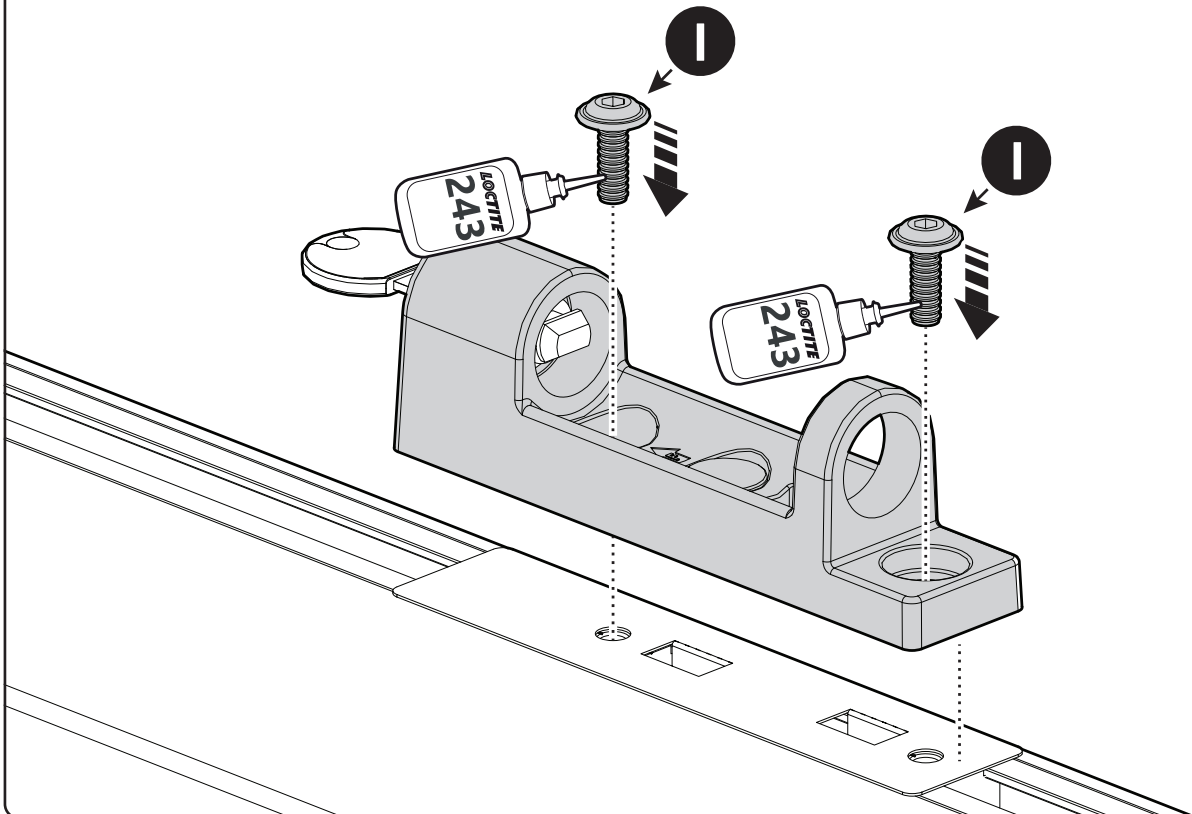
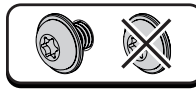
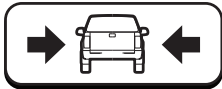
x4

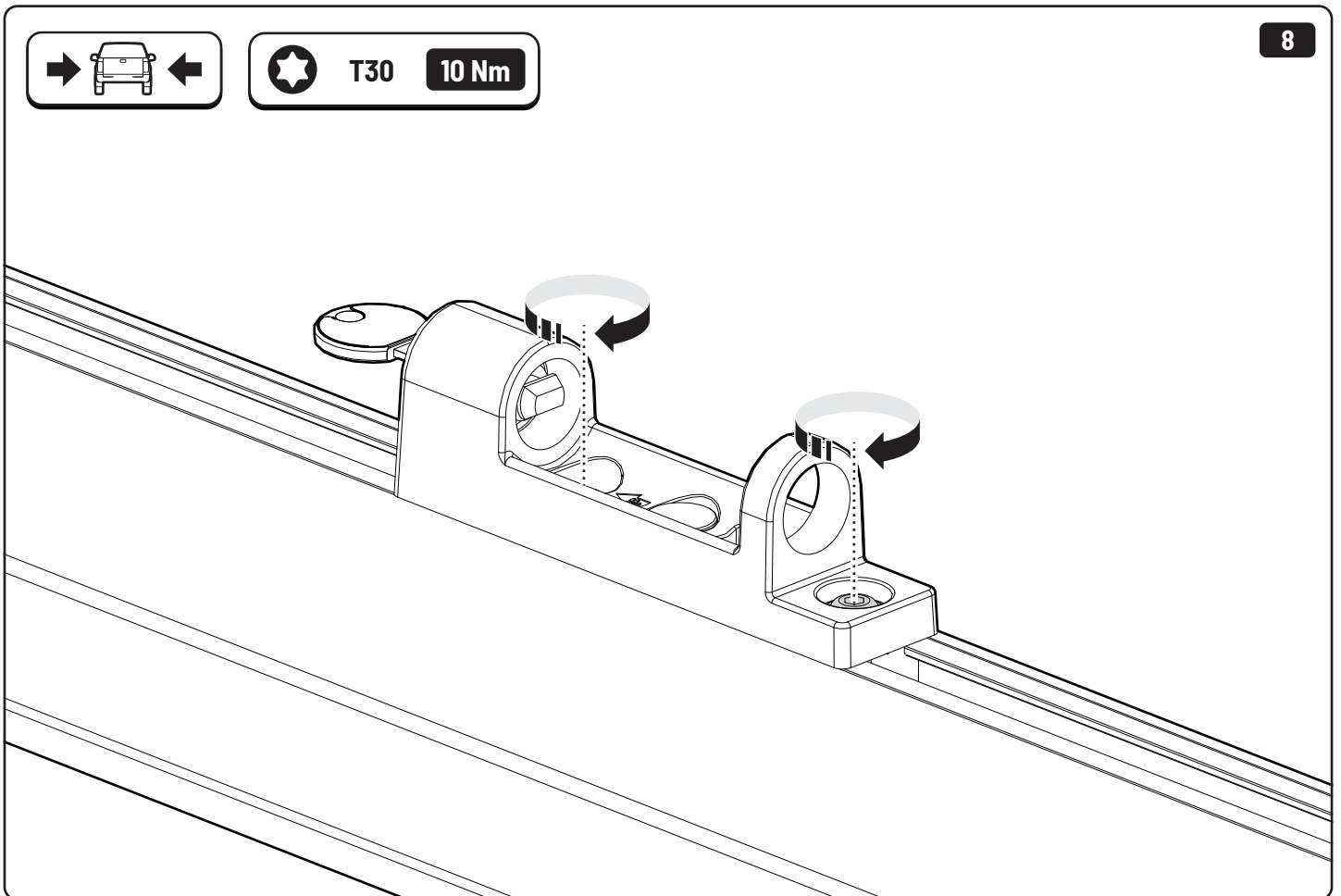
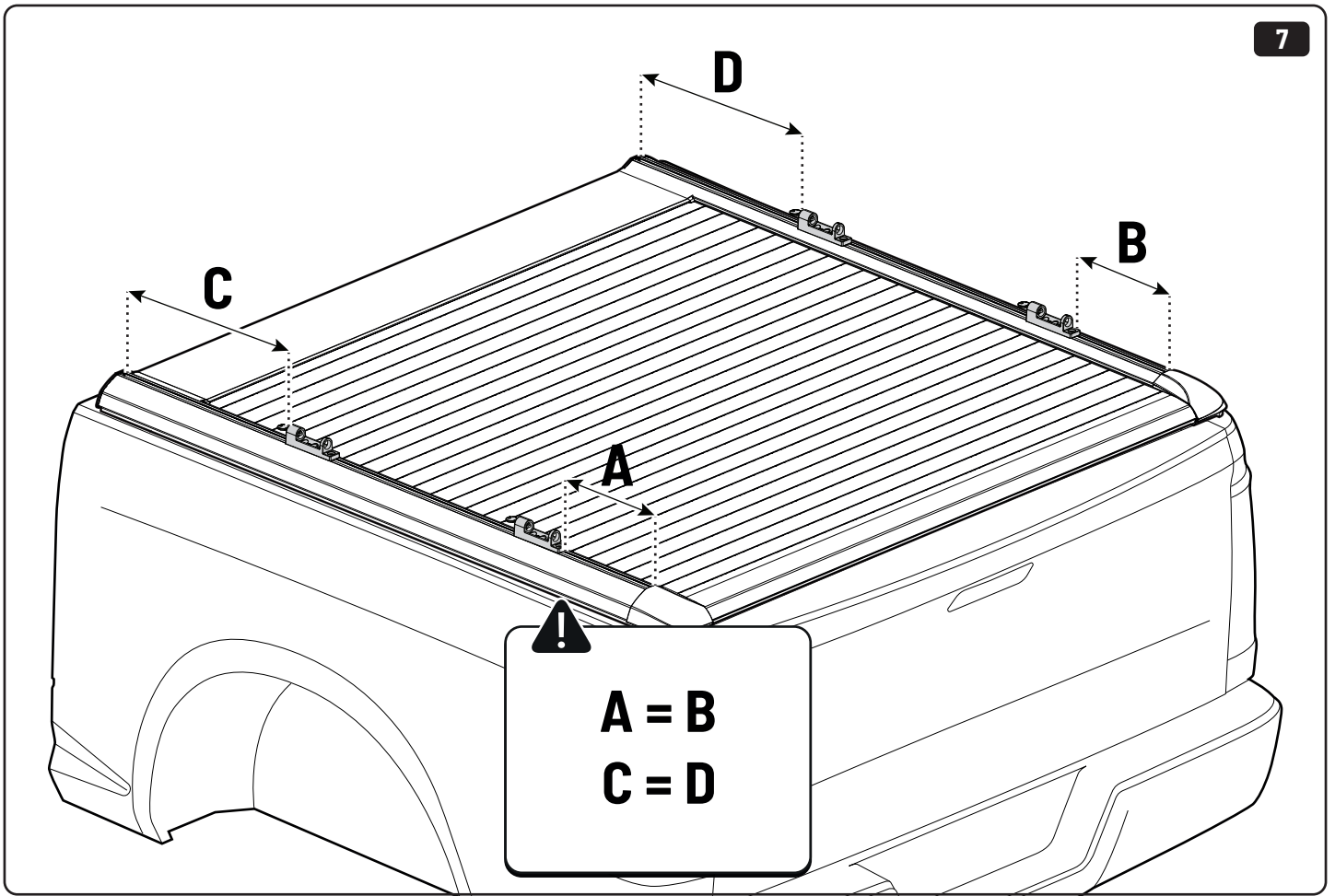
5

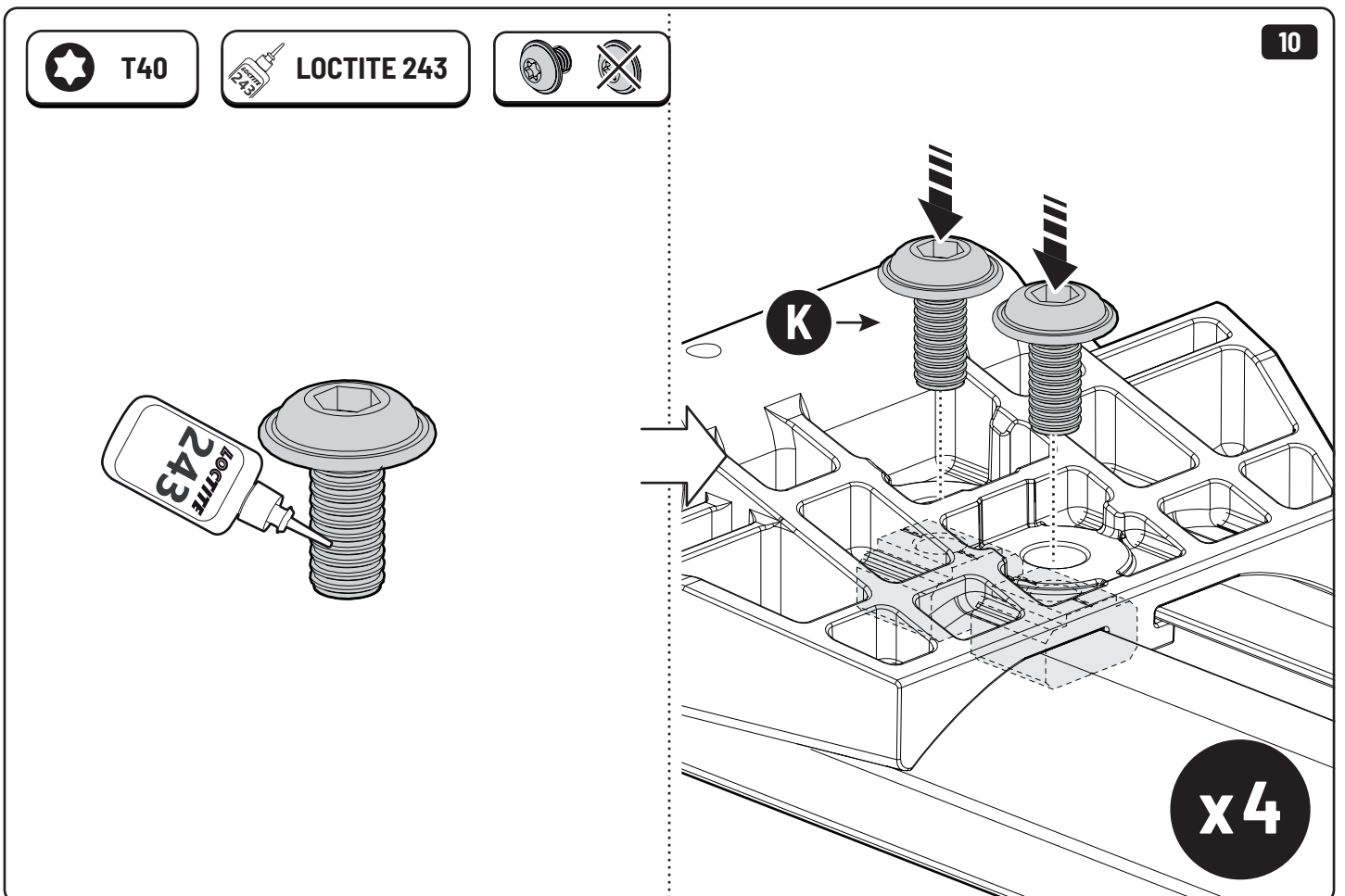
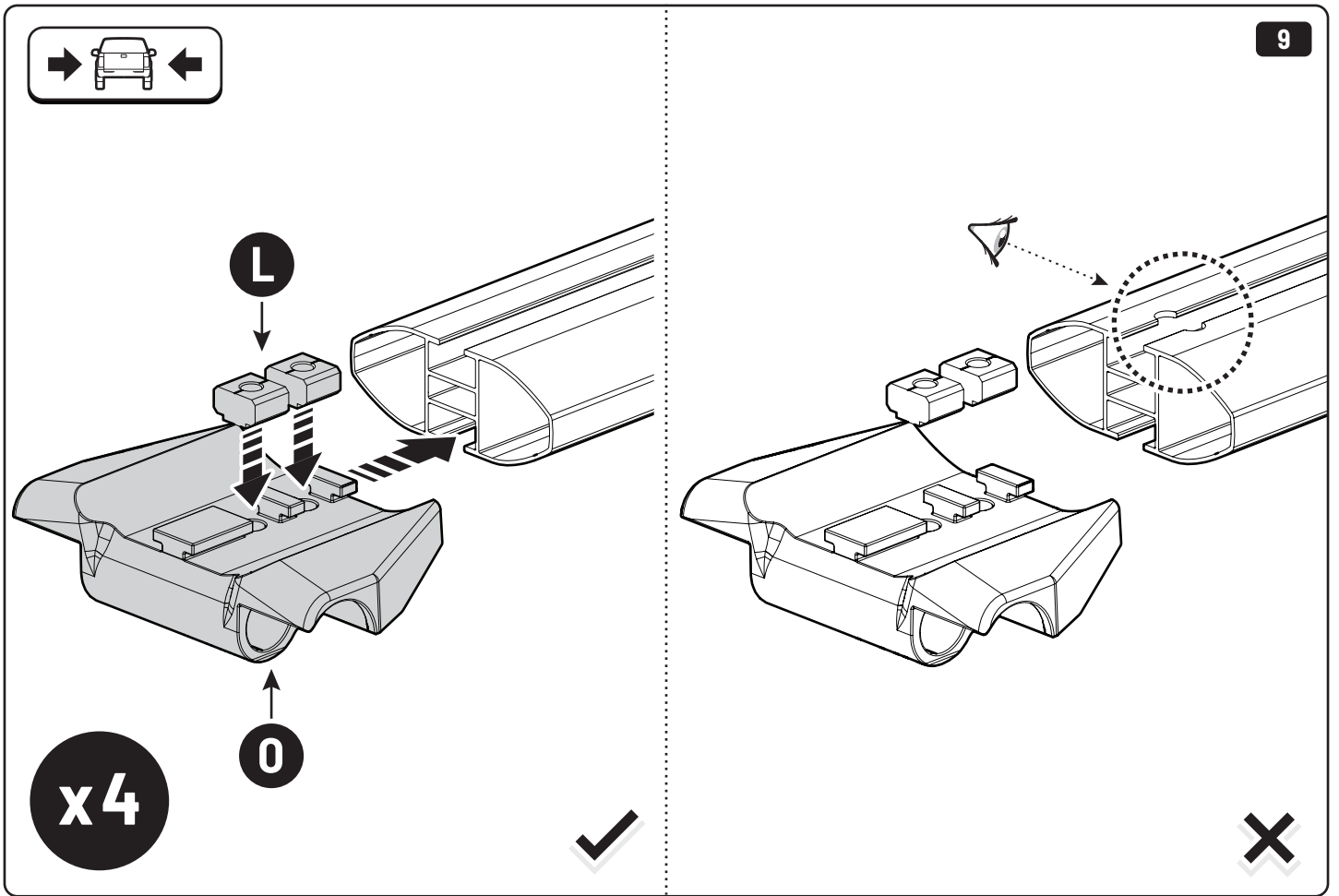


x4

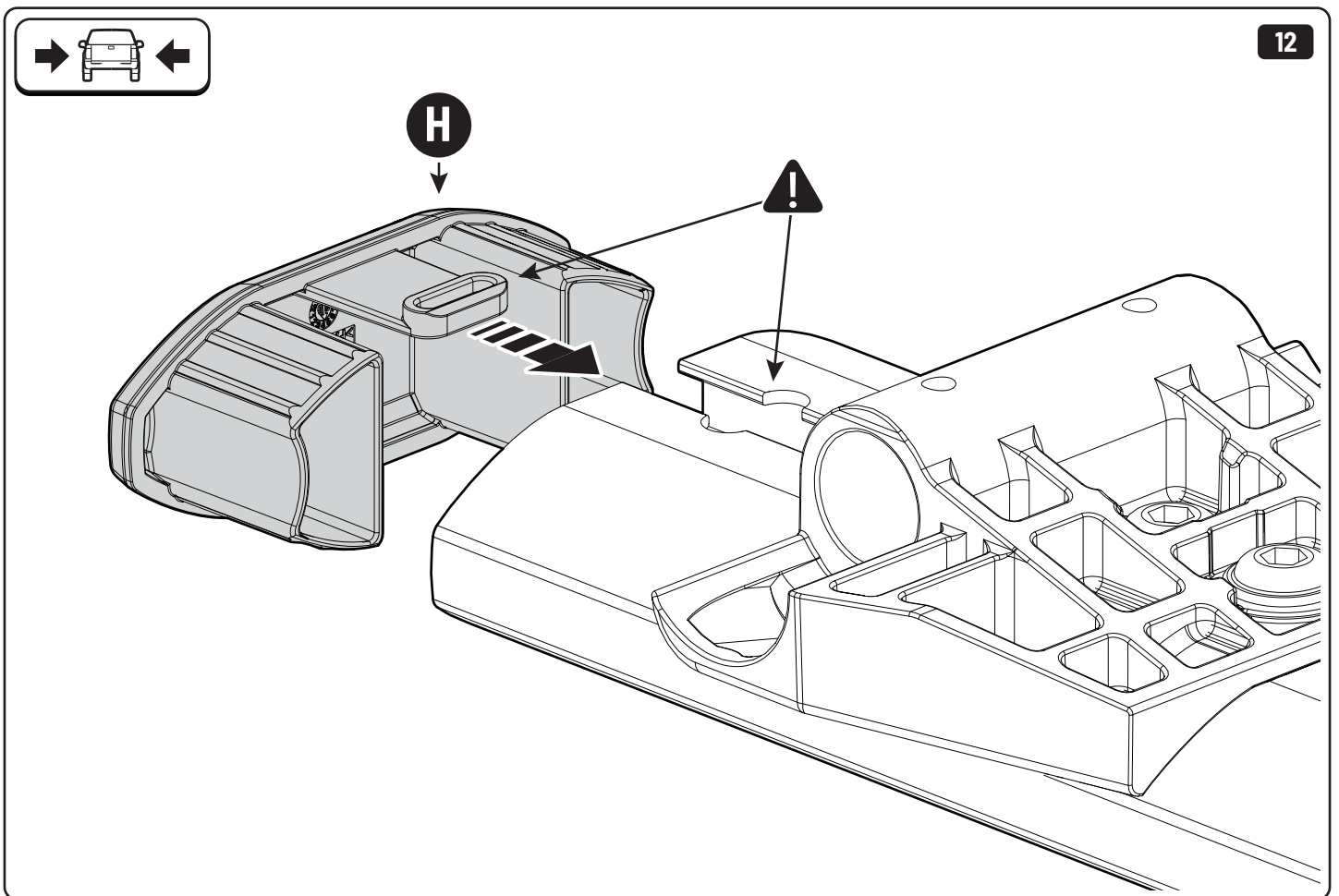
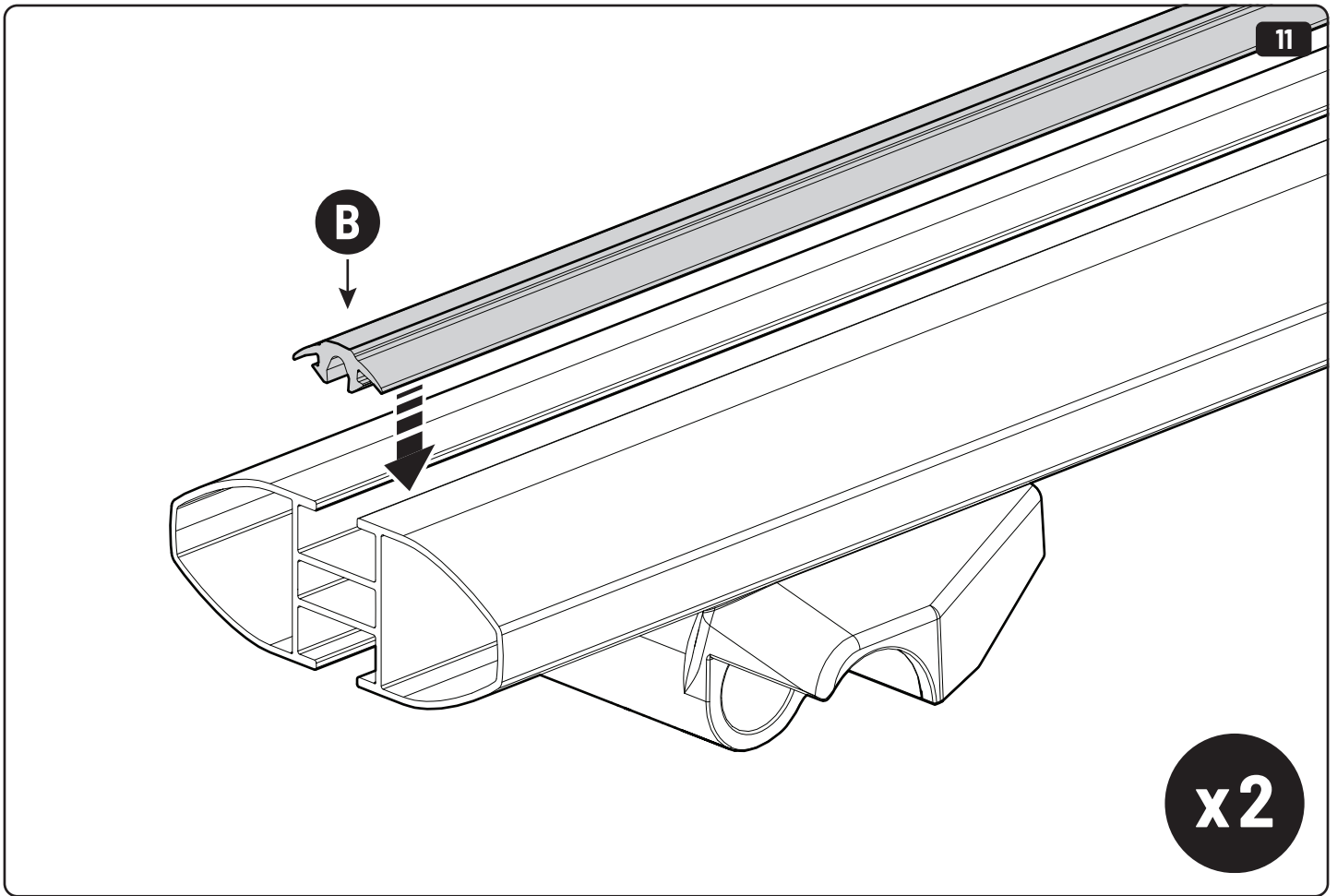
6

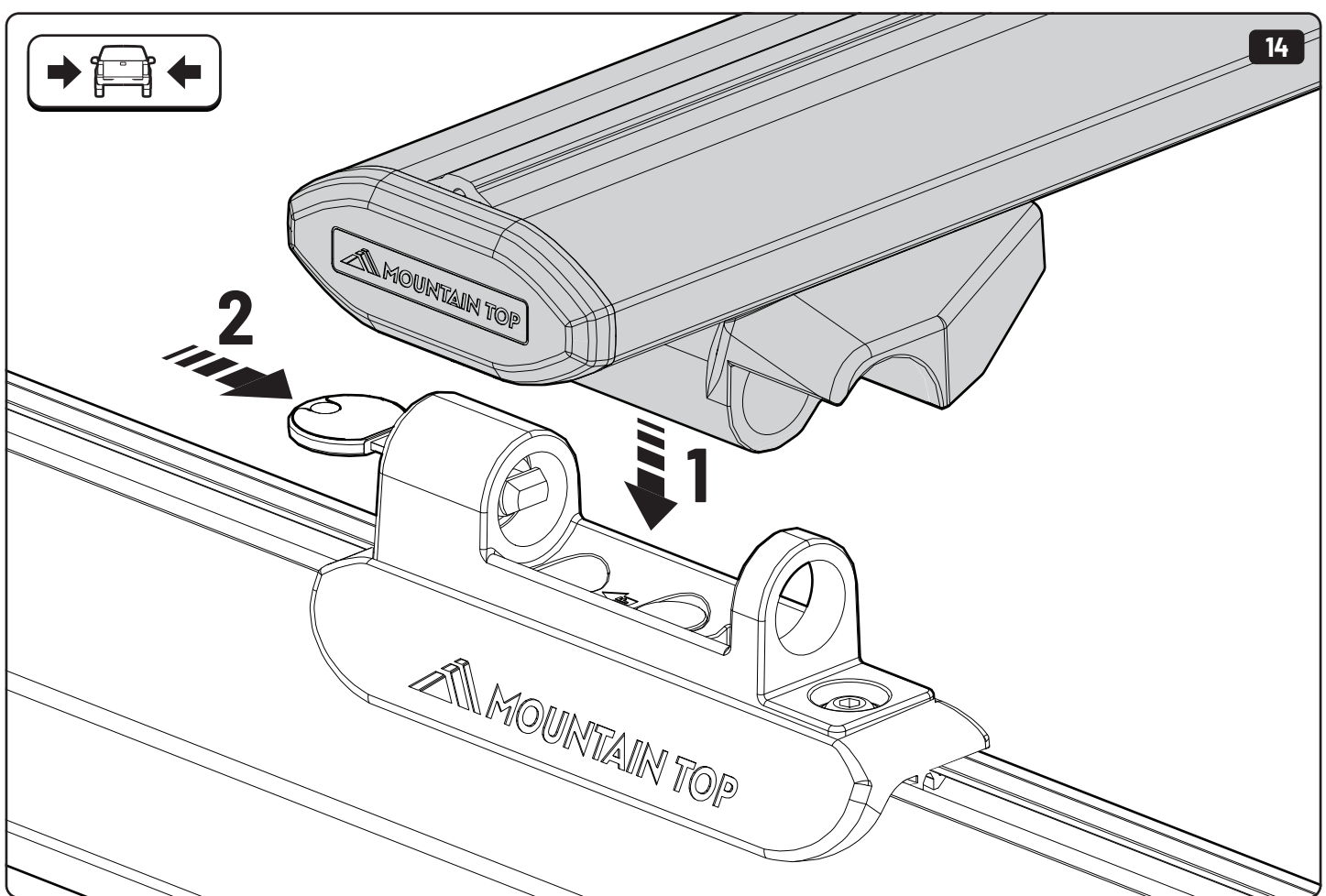
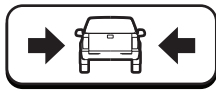
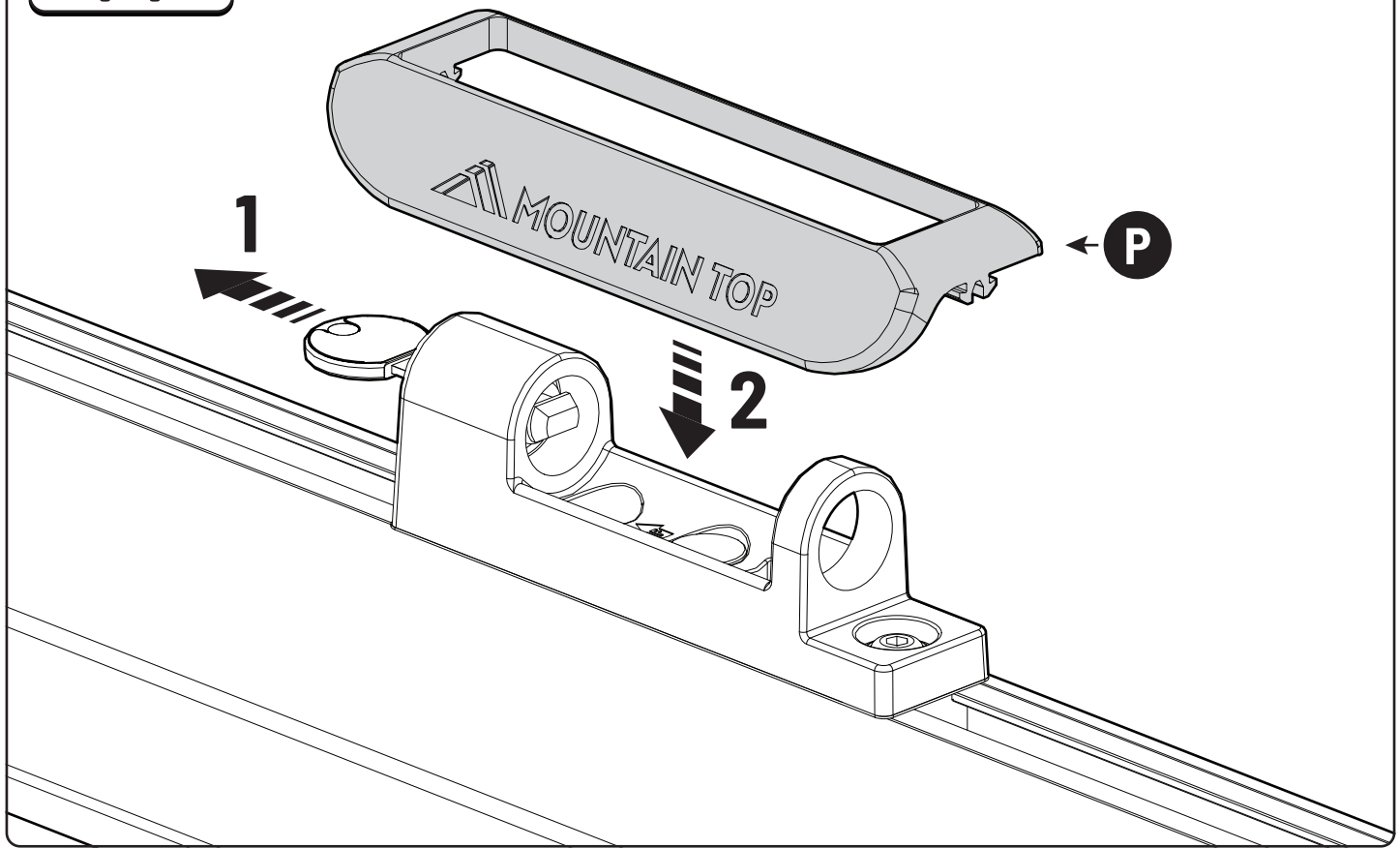
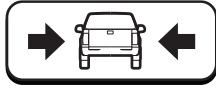


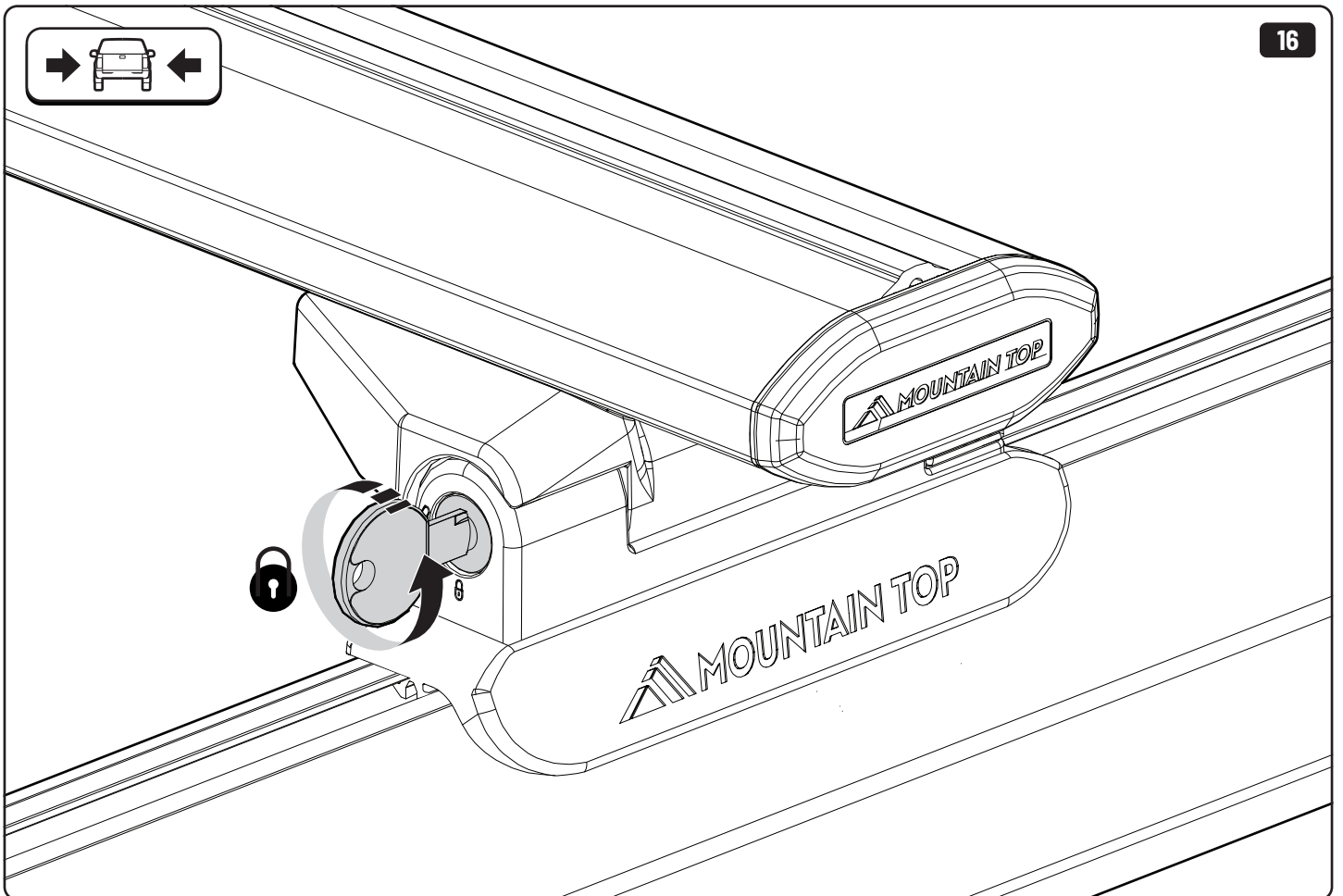
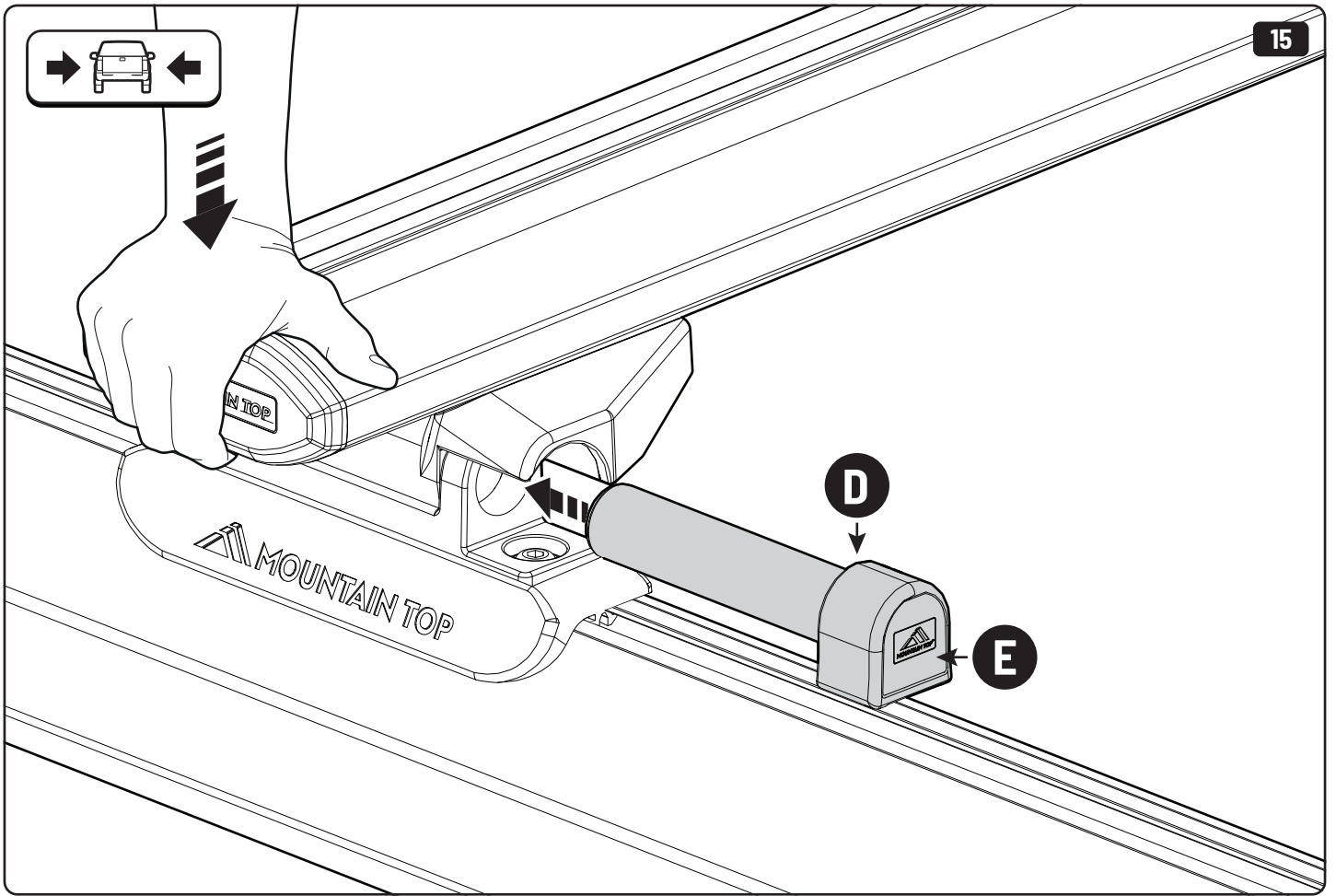


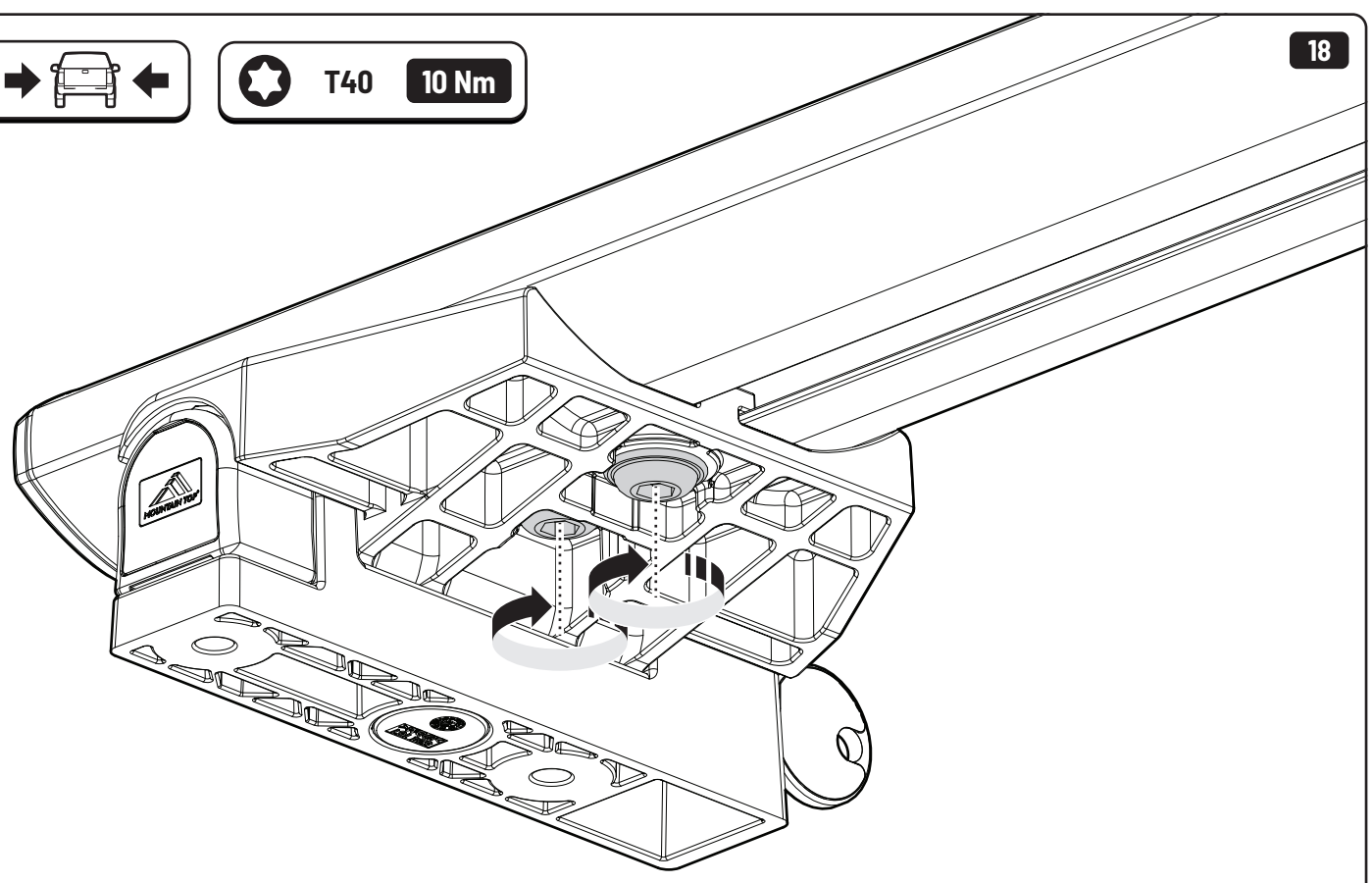
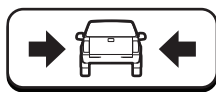
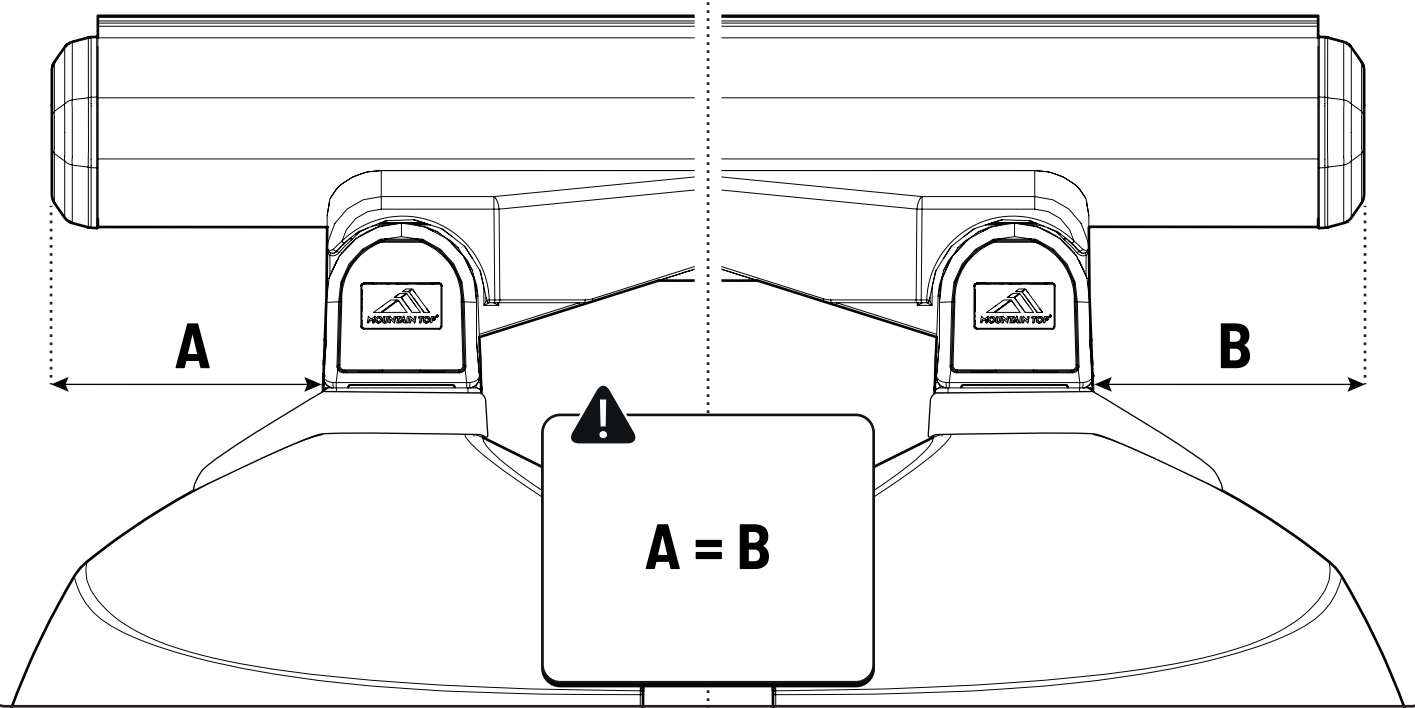


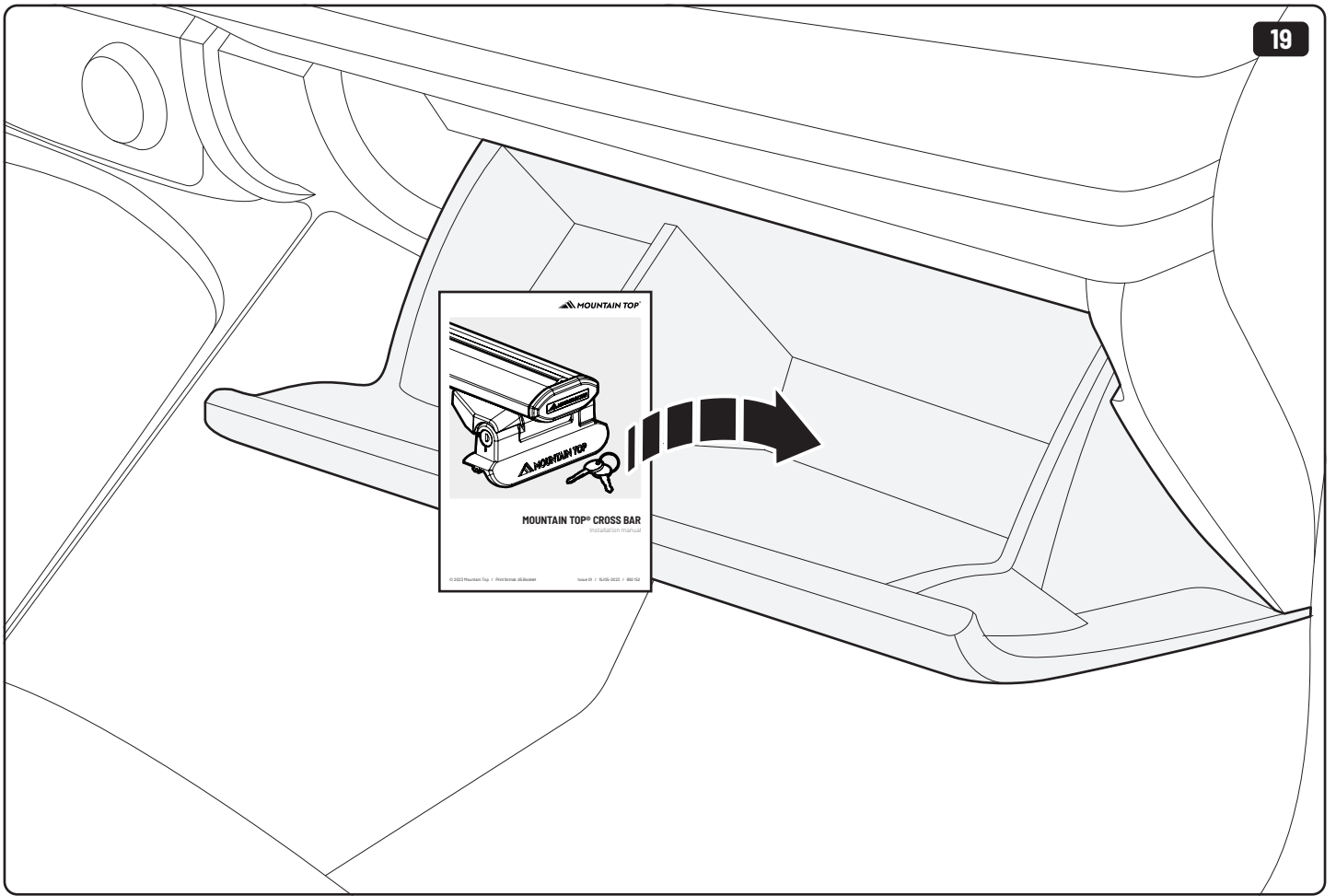




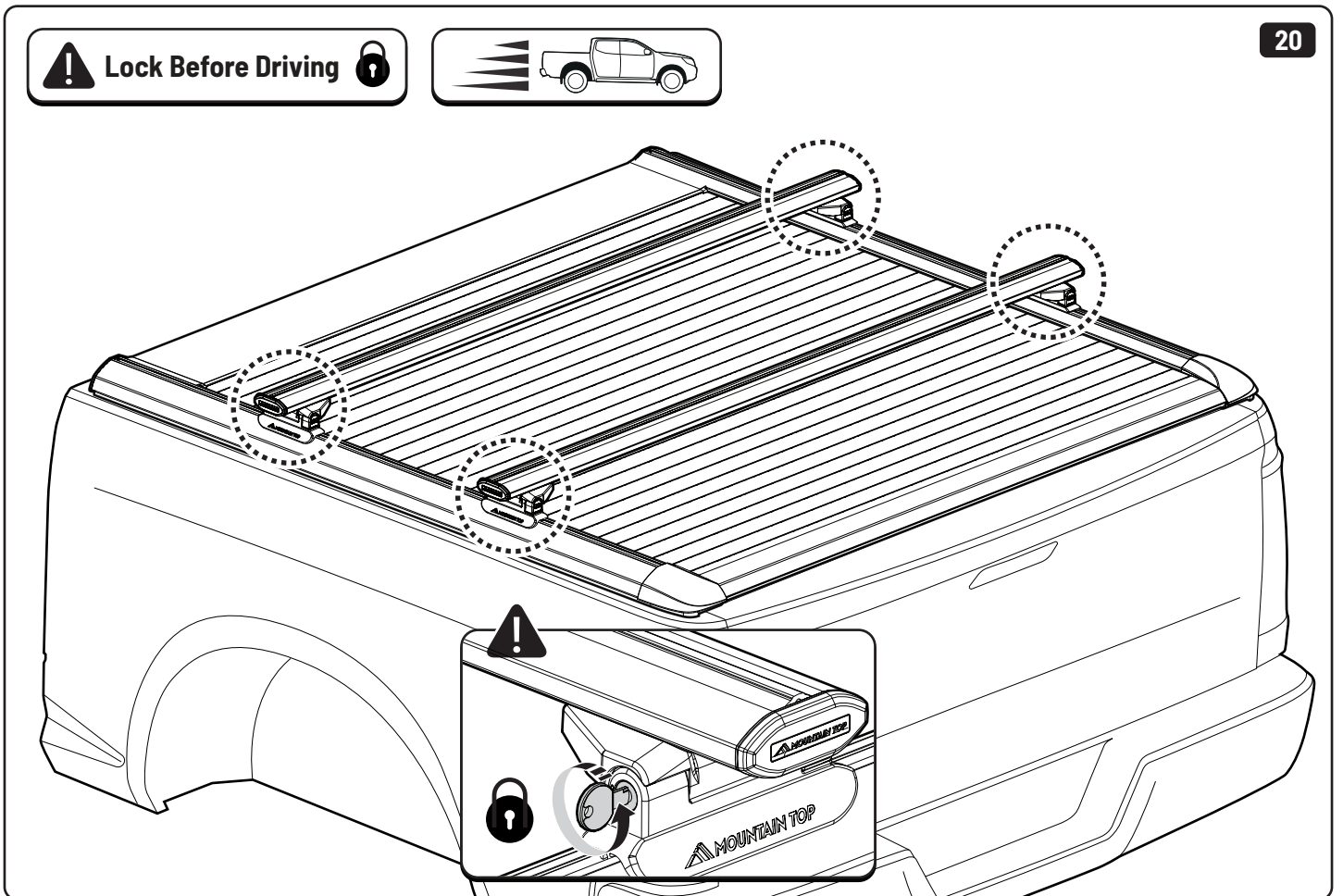


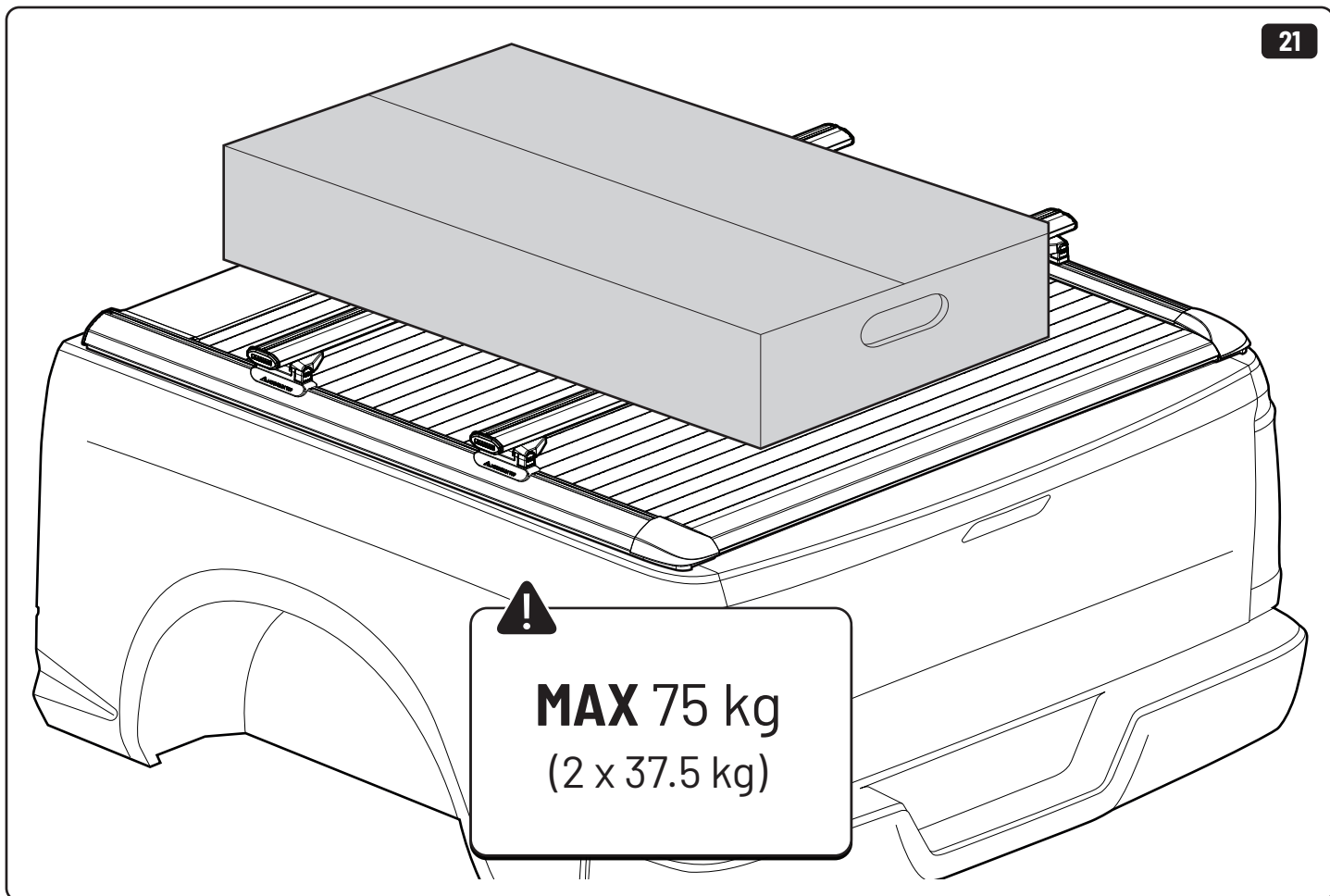






 **Lock Before Driving** 









Customer Service +45 4810 2950 (08:00 - 16:00 CET)  
Support info@mountaintop.dk  
Website www.mountaintop.dk  
Address Pedersholmparken 10, 3600 Frederikssund, Denmark

Part number (s)	Model / Year	Cab type (s)	Installation time	Weight
CB FLEX LB04	Model / All	All	30 minute (s)	8 kg

<b>GB</b> Installation manual	<b>S</b> Monteringsanvisning	<b>D</b> Einbauanleitung
<b>SF</b> Asennusohje	<b>E</b> Instrucciones de montaje	<b>CZ</b> Návod k instalaci
<b>F</b> Notice de montage	<b>H</b> Szerelési utasítás	<b>I</b> Istruzioni di montaggio
<b>PL</b> Instrukcja montażu	<b>P</b> Instruções de instalação	<b>GR</b> Οδηγίες Εγκατάστασης
<b>NL</b> Installatie-instructies	<b>RUS</b> Инструкция по установке	<b>DK</b> Monteringsvejledning
<b>TR</b> Montaj Talimatı	<b>N</b> Monteringsveiledning	<b>RO</b> Instructiuni de instalare