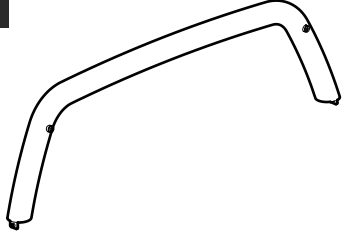
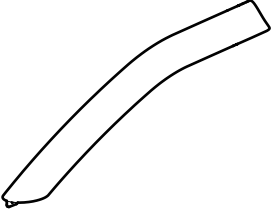
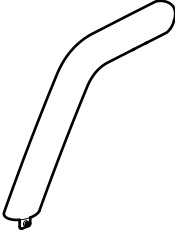



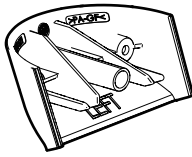
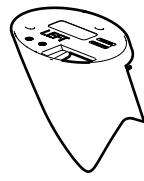
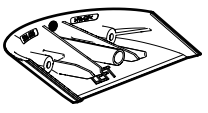

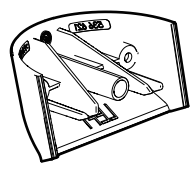
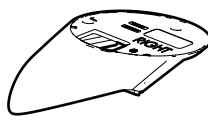
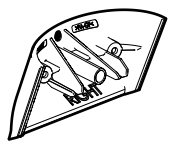
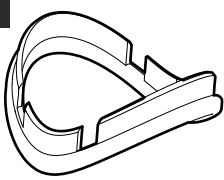
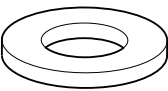
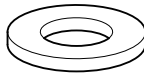

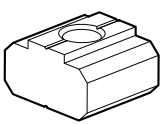
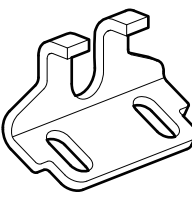
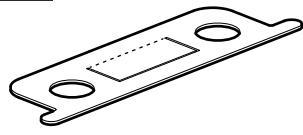
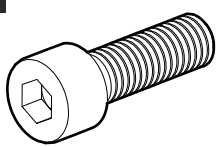
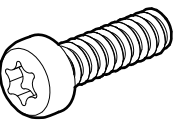
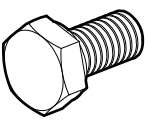
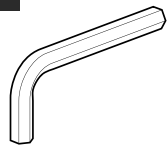
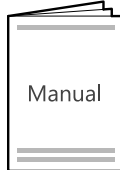

Mountain Top® Sports Bar

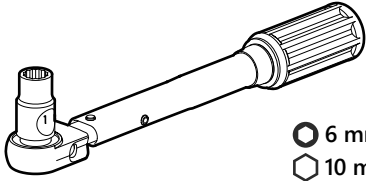



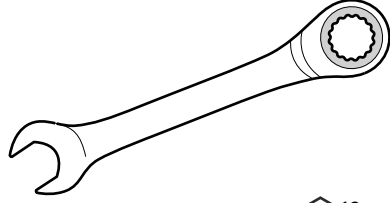
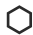
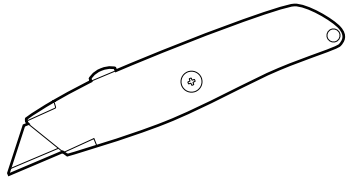
Installation manual



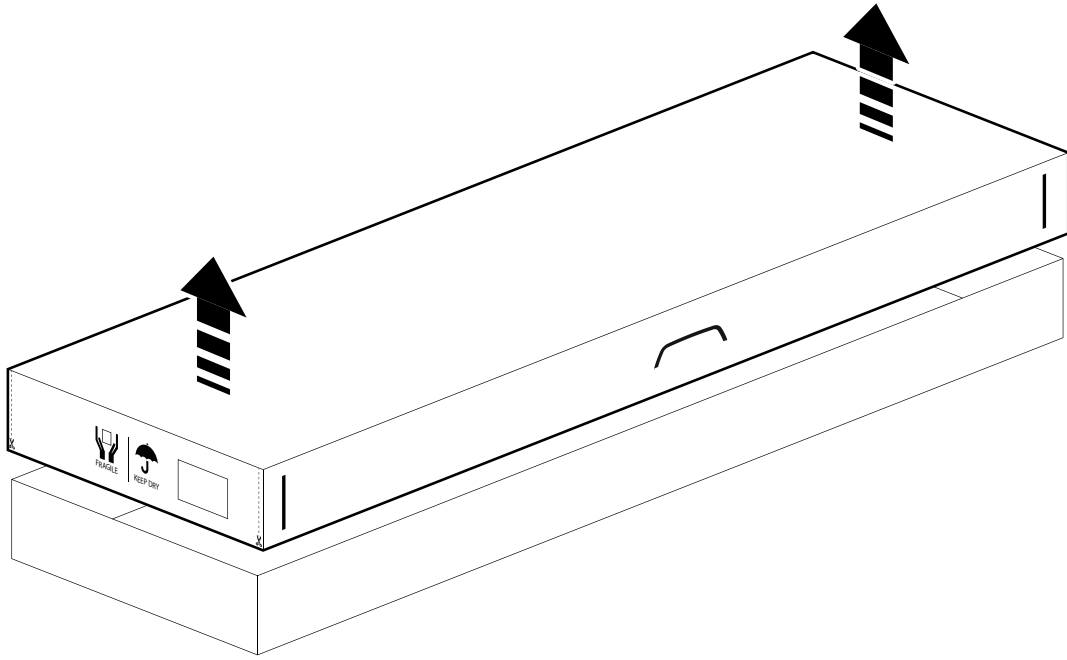
DOWNLOAD PDF

Parts		
A		x 1
B		x 1
C		x 1

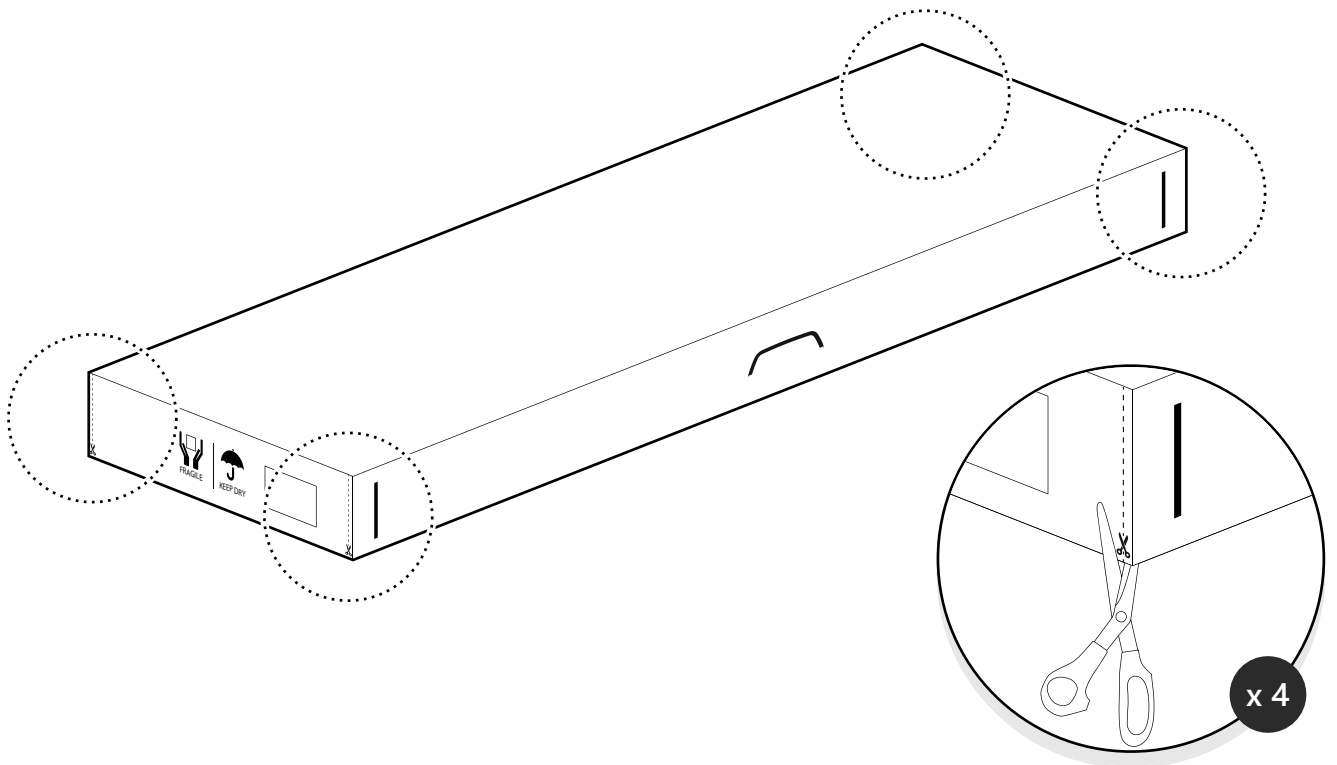
Kit						
D		x 1	E		x 1	
F		x 1	G		x 1	
H		x 1	I		x 1	
J		x 1	K		x 1	
L		x 2	M		x 6	
N		x 8	O		x 2	
P		x 8	Q		x 4	
R		x 4	S		x 6	
T		x 8	U		x 8	
V		x 1		x 1		x 1

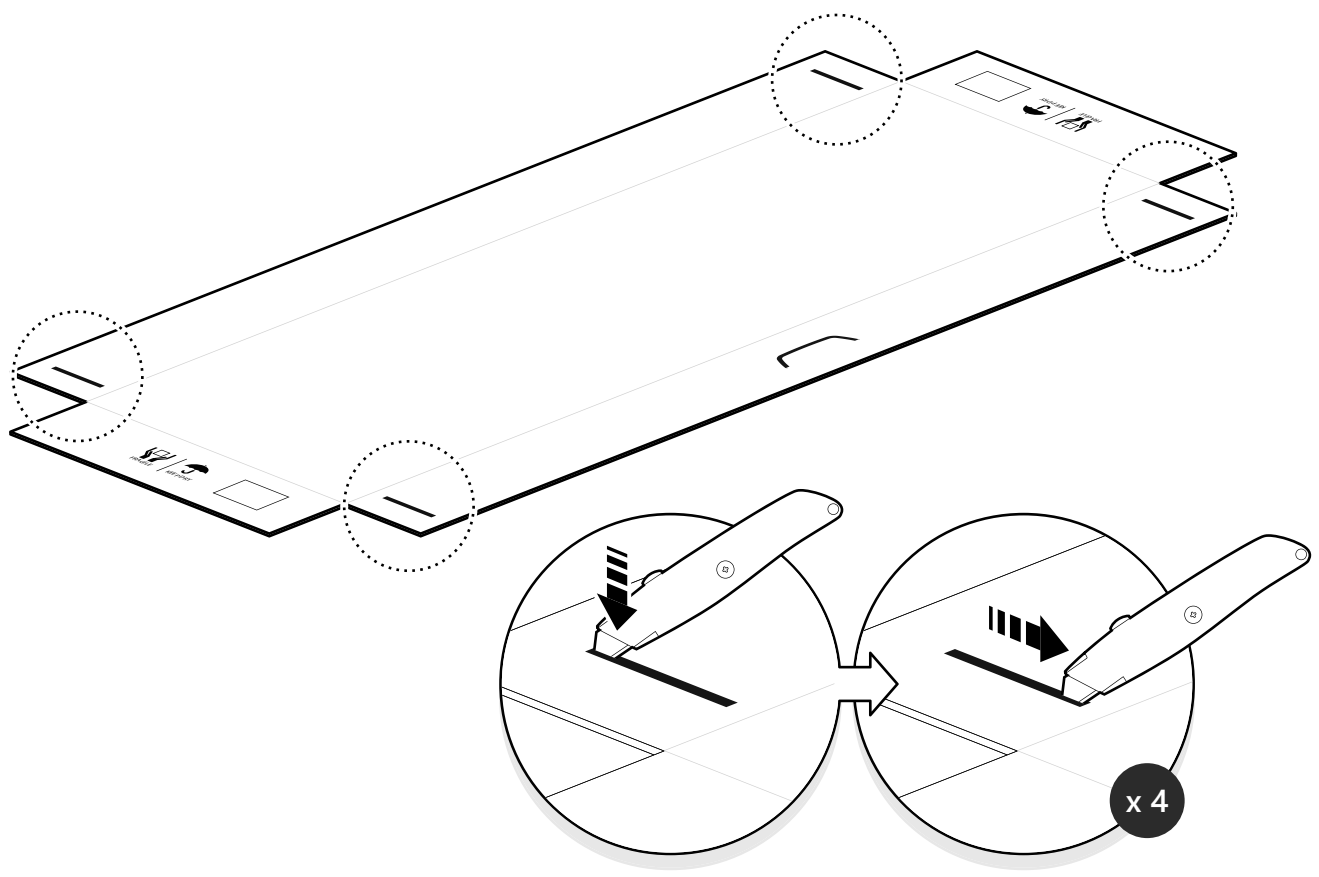
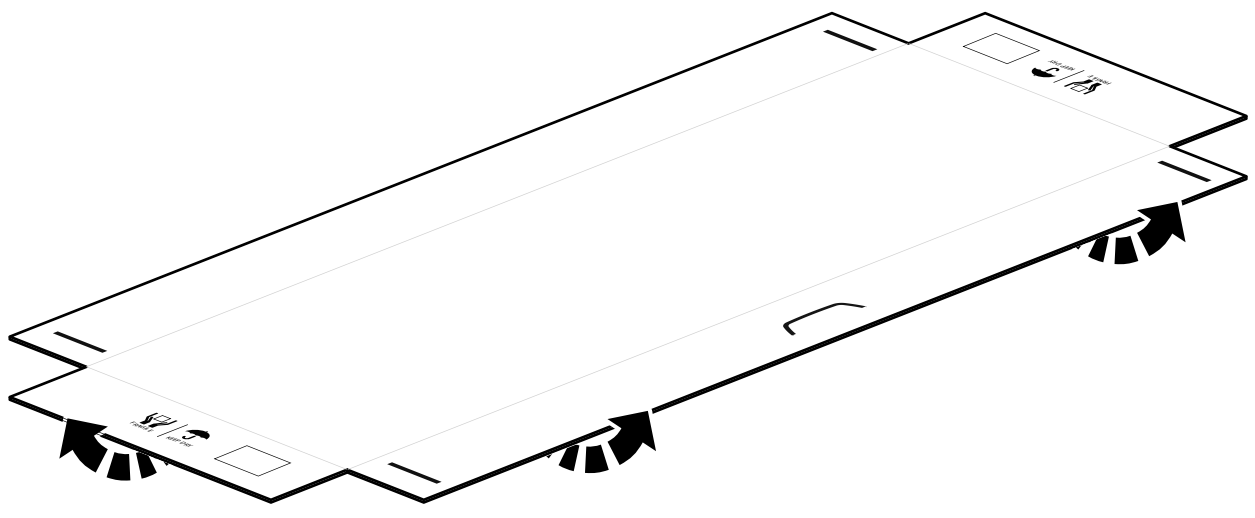
Tools and materials needed		
<p>1-25 Nm</p>  <ul style="list-style-type: none">  6 mm  10 mm  T15 	 <p> 10 mm</p>	

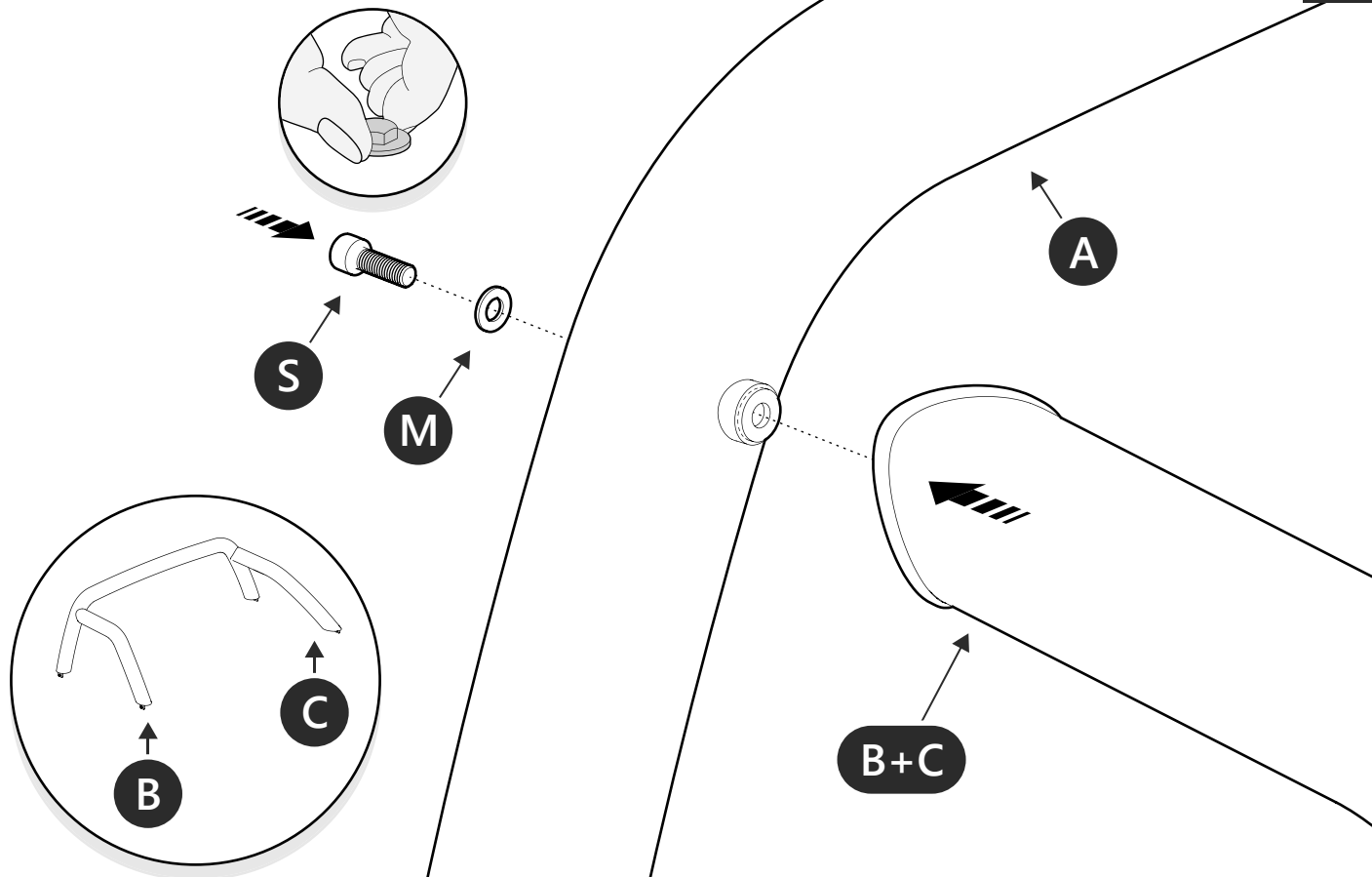
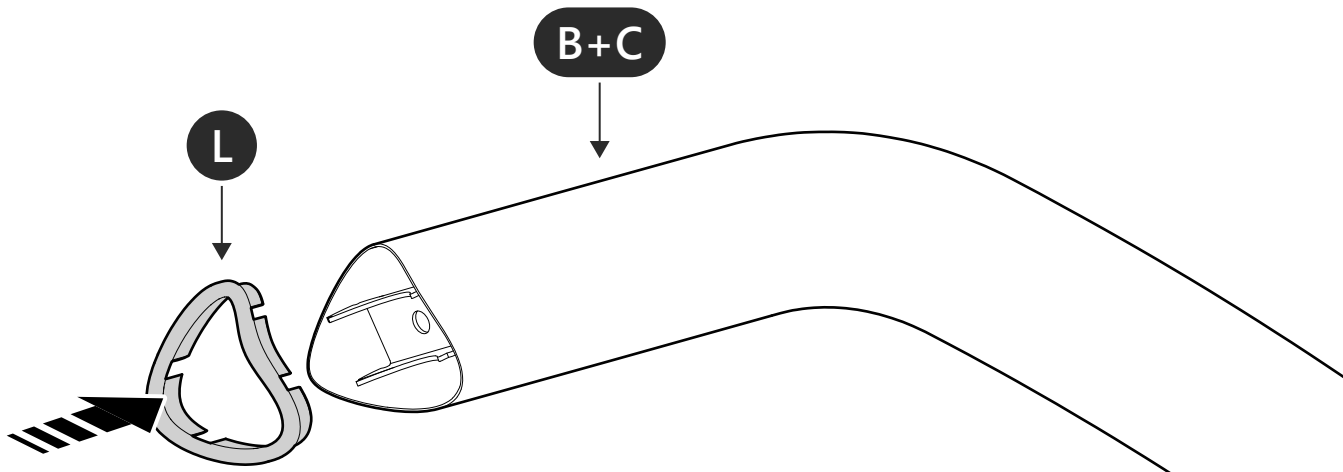
1

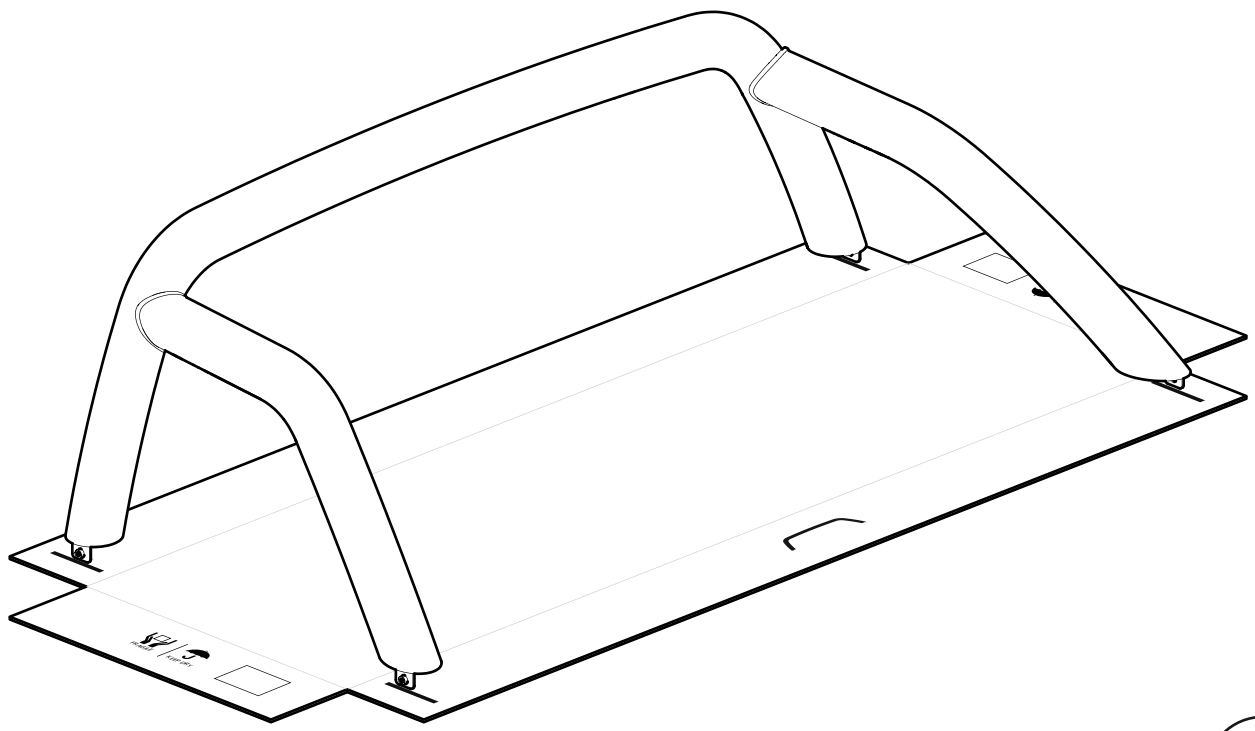
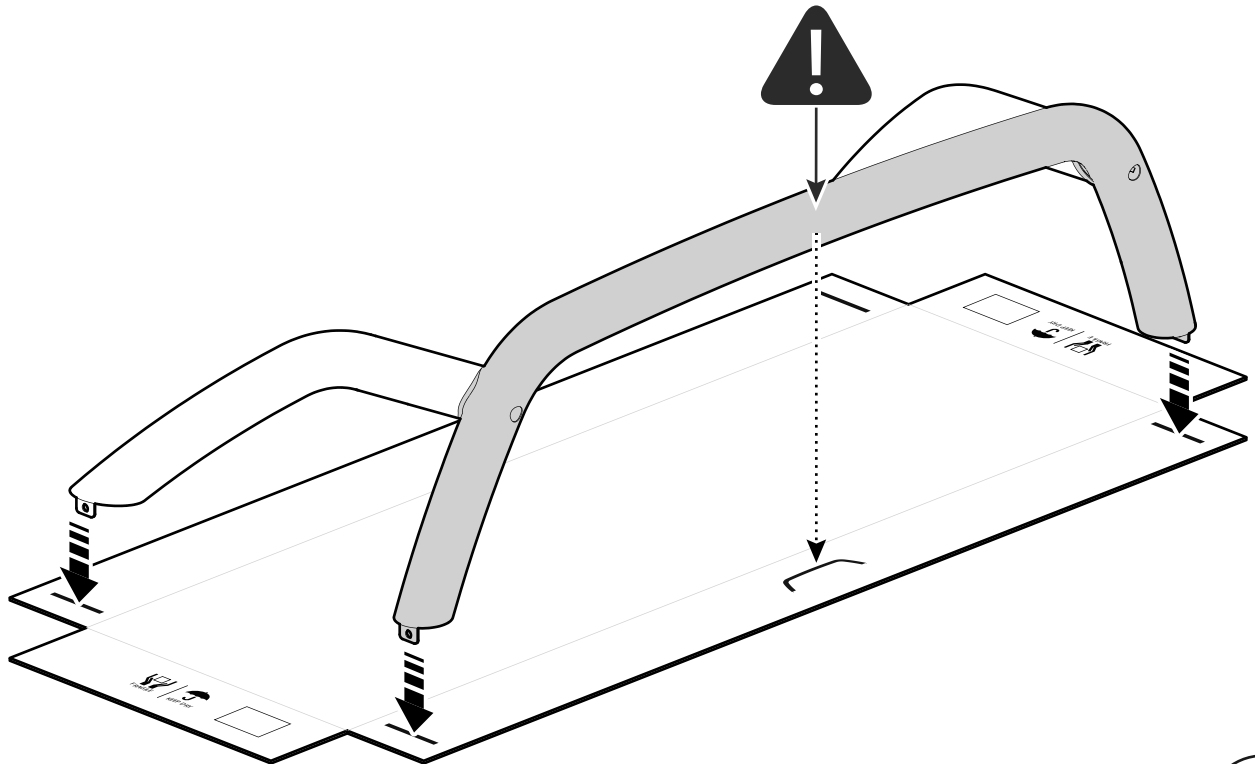


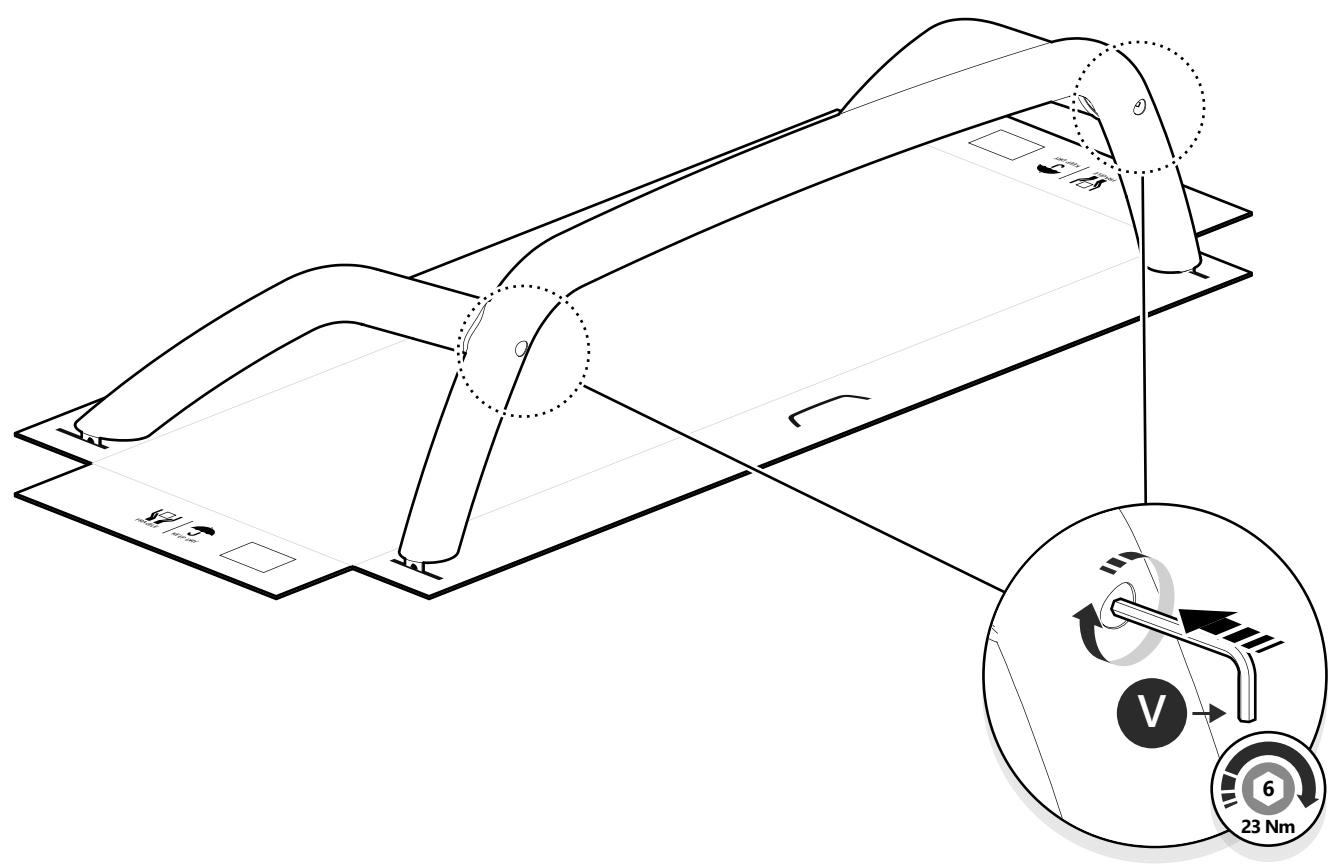
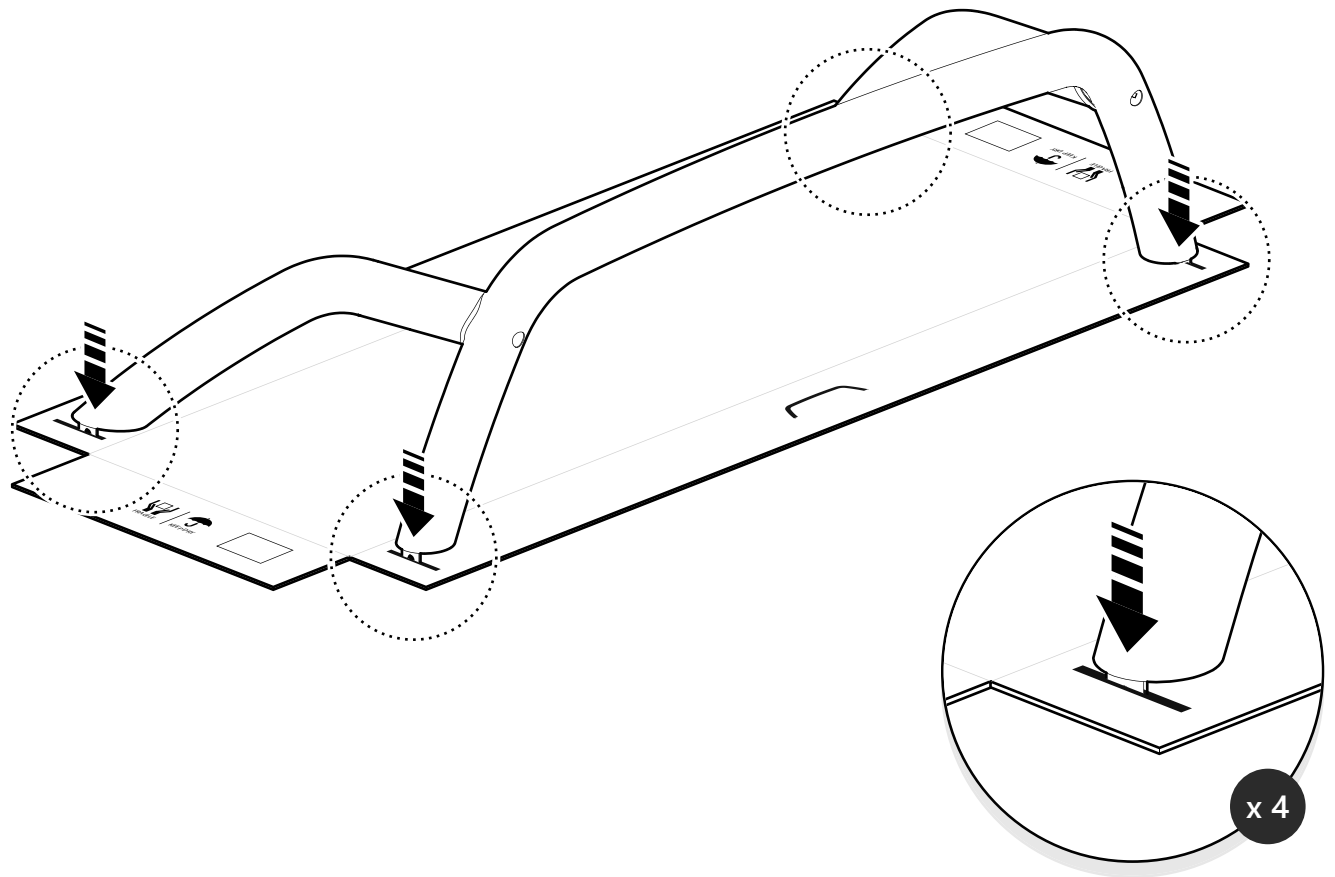
2

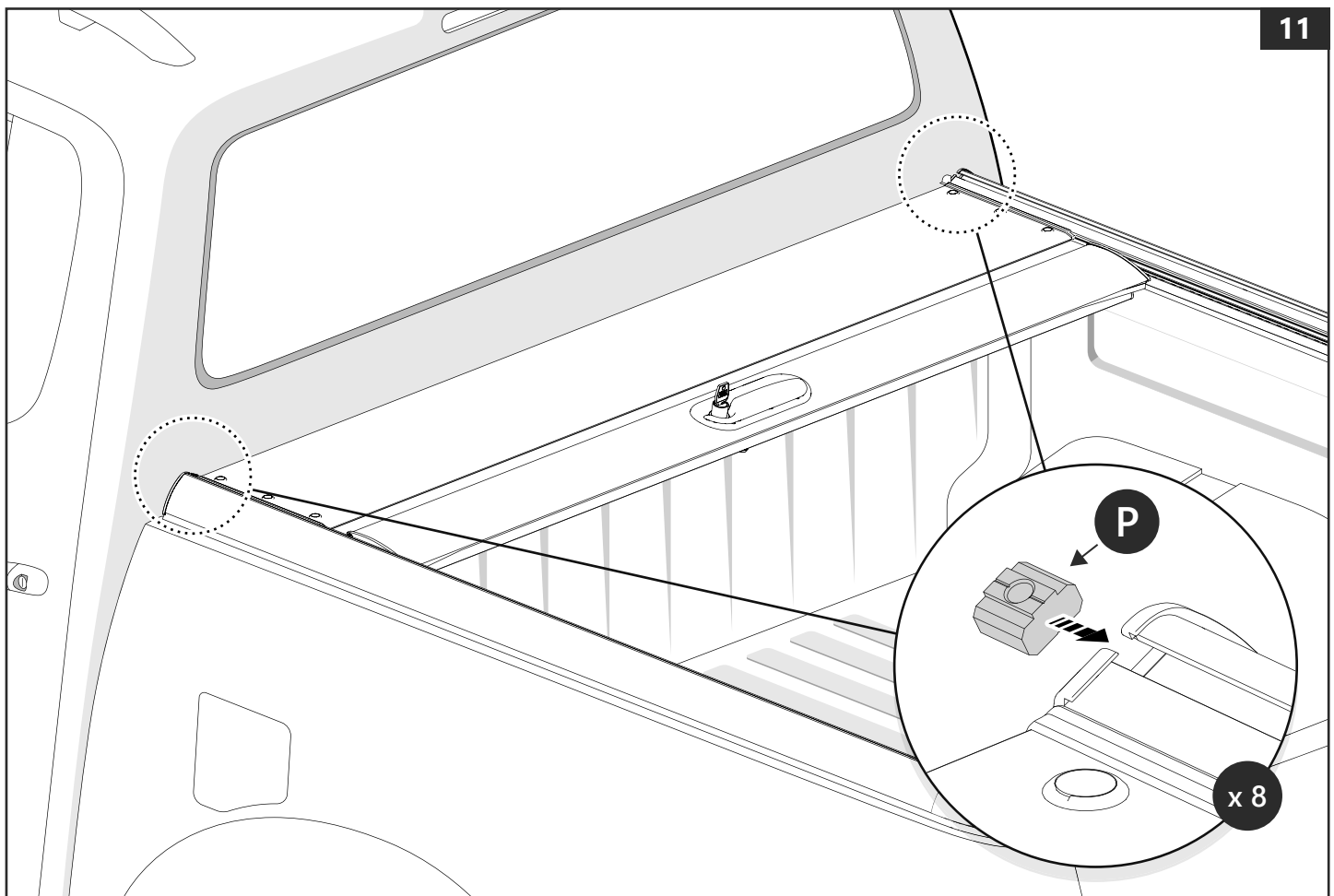
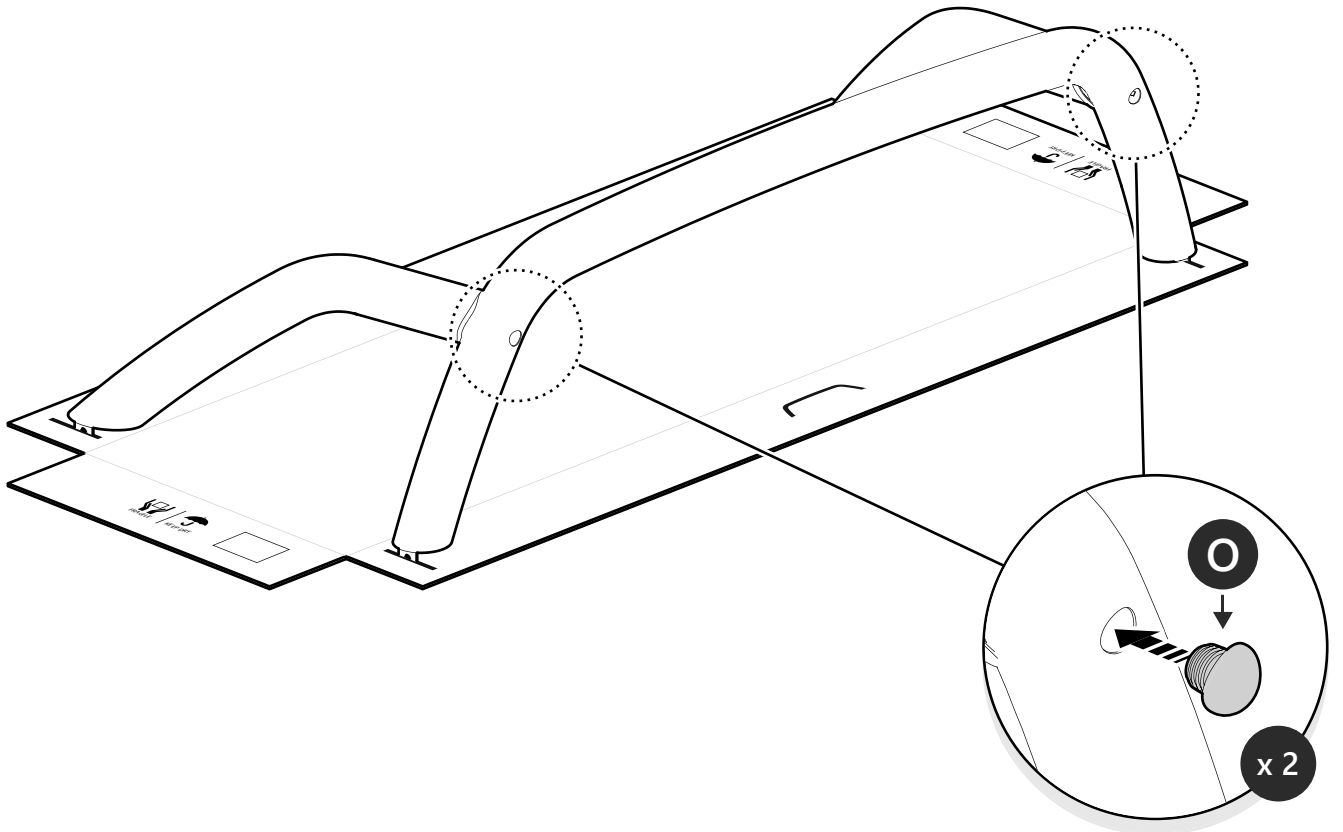


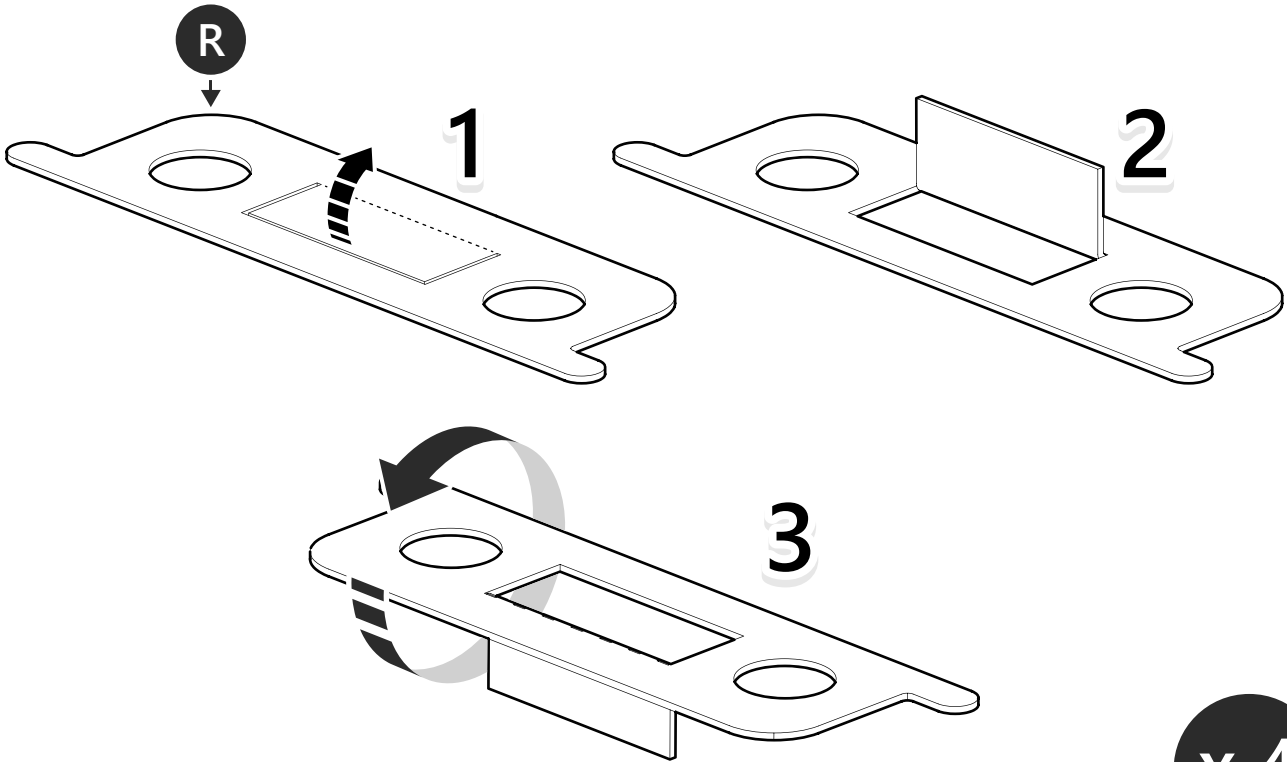




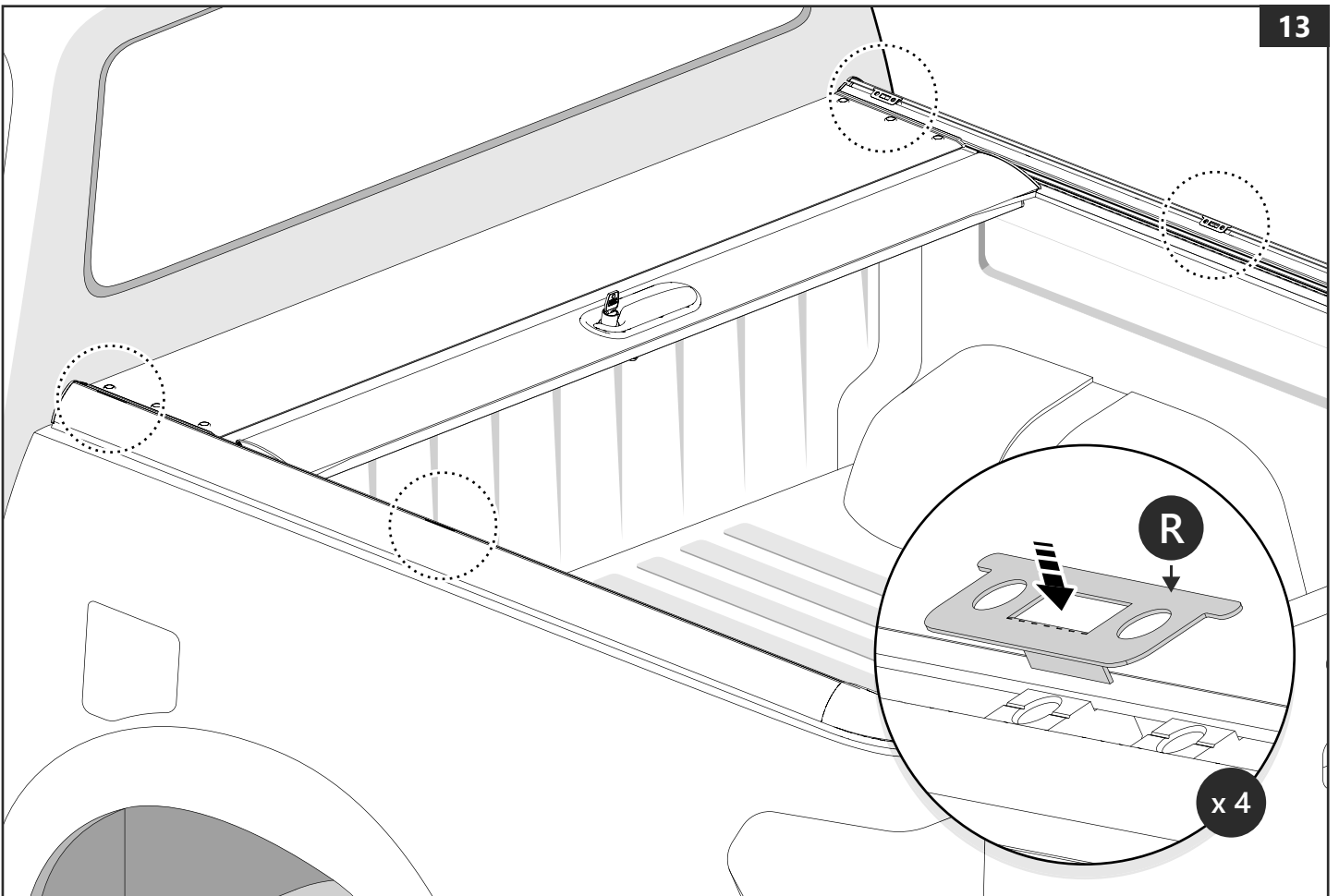




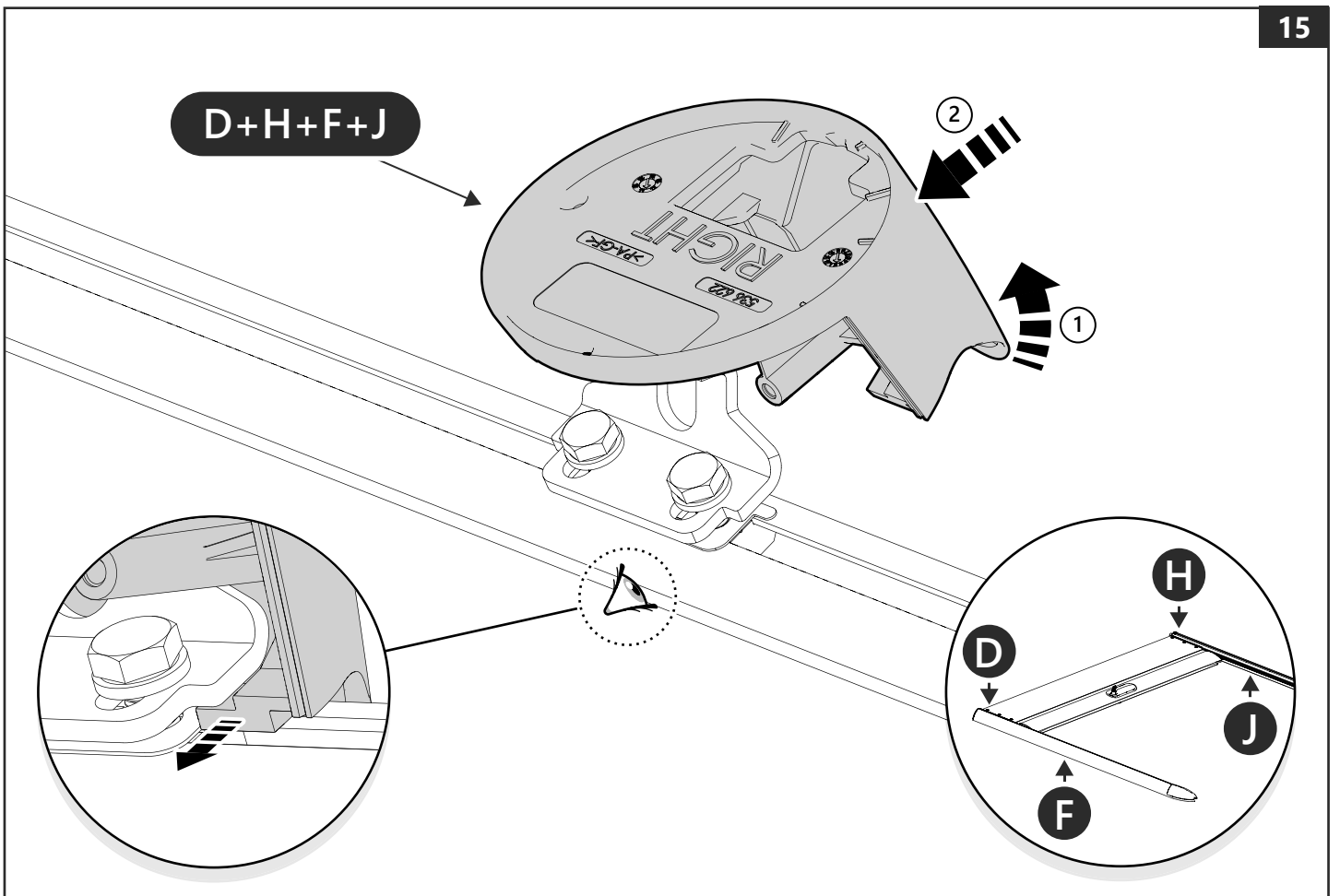
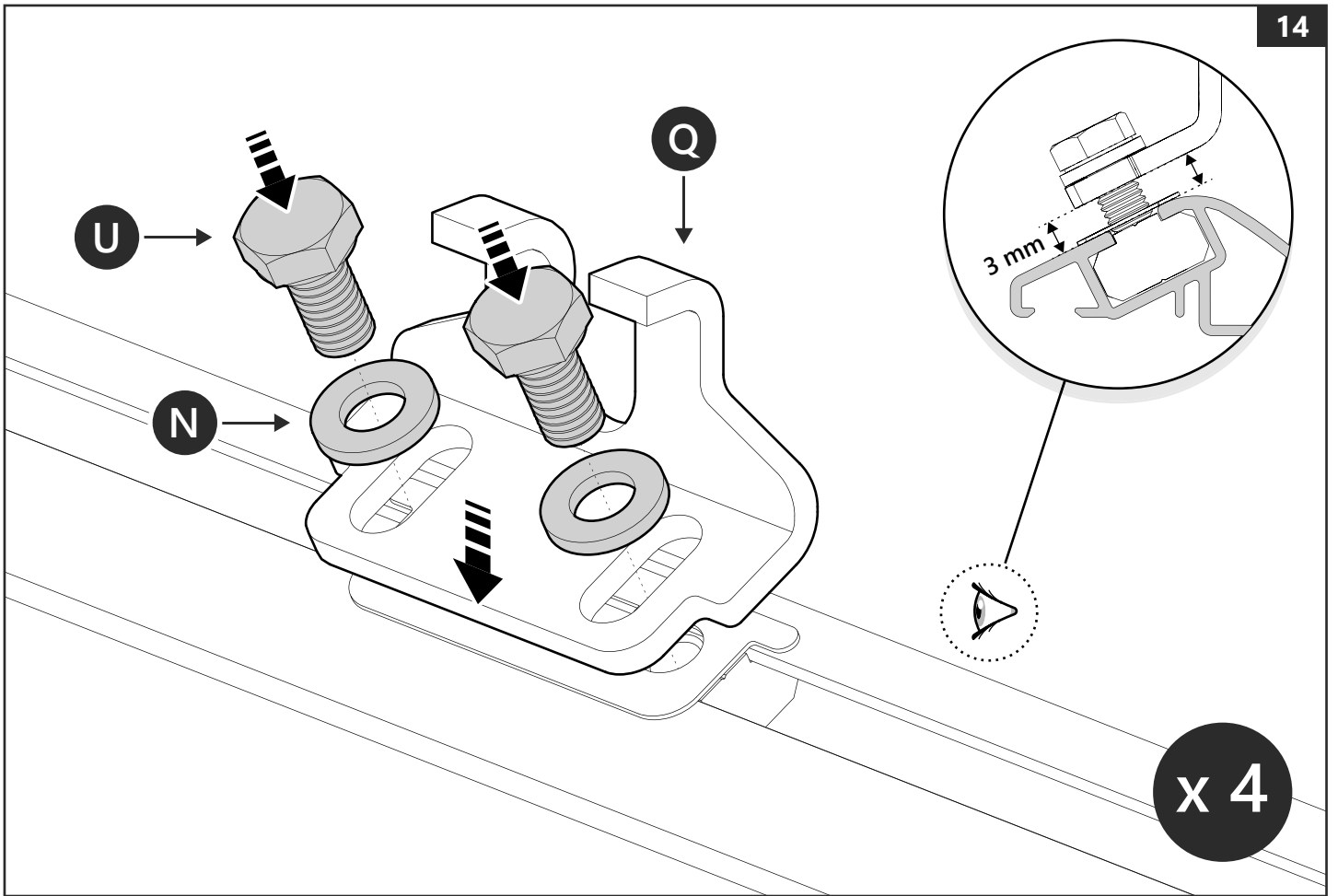


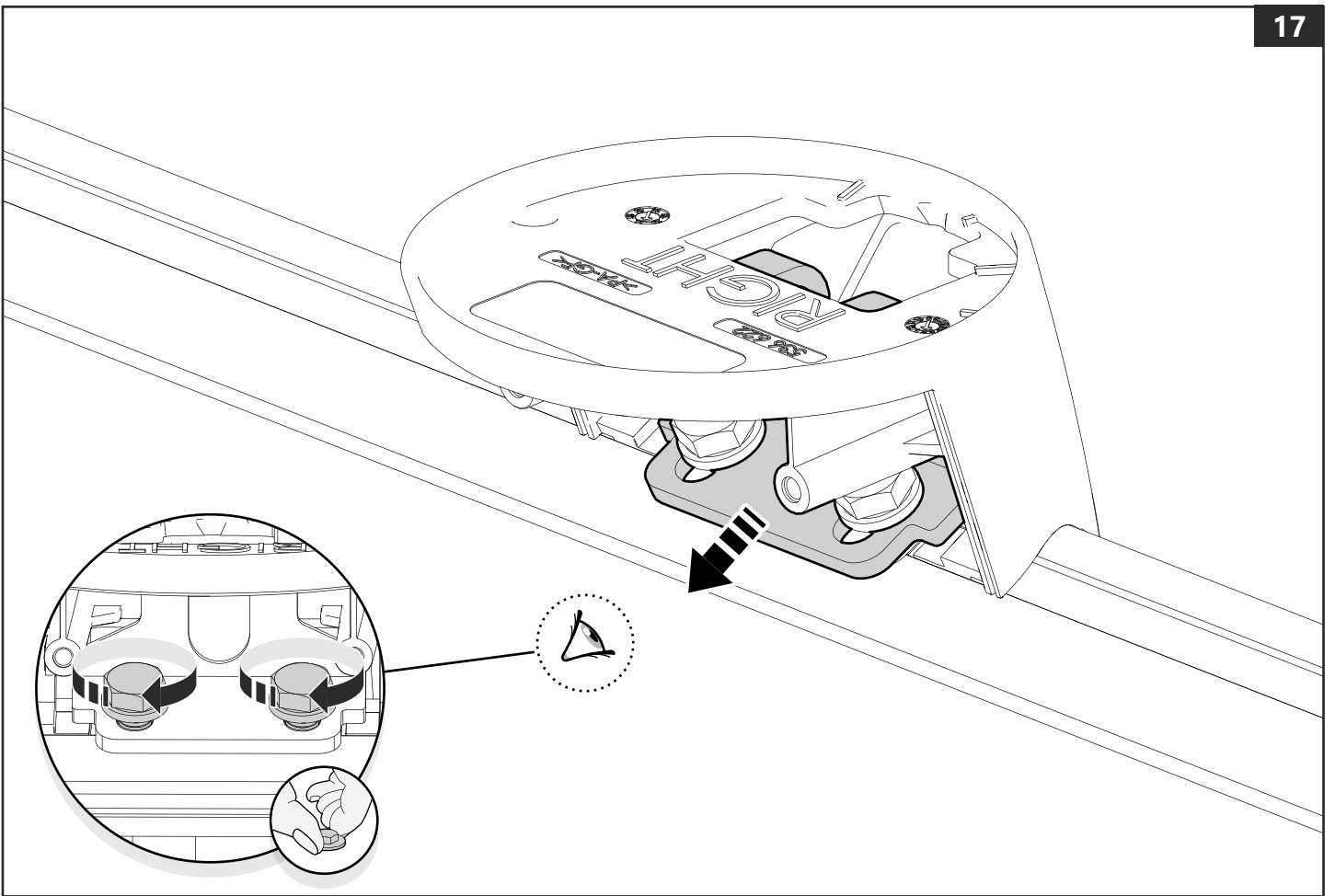
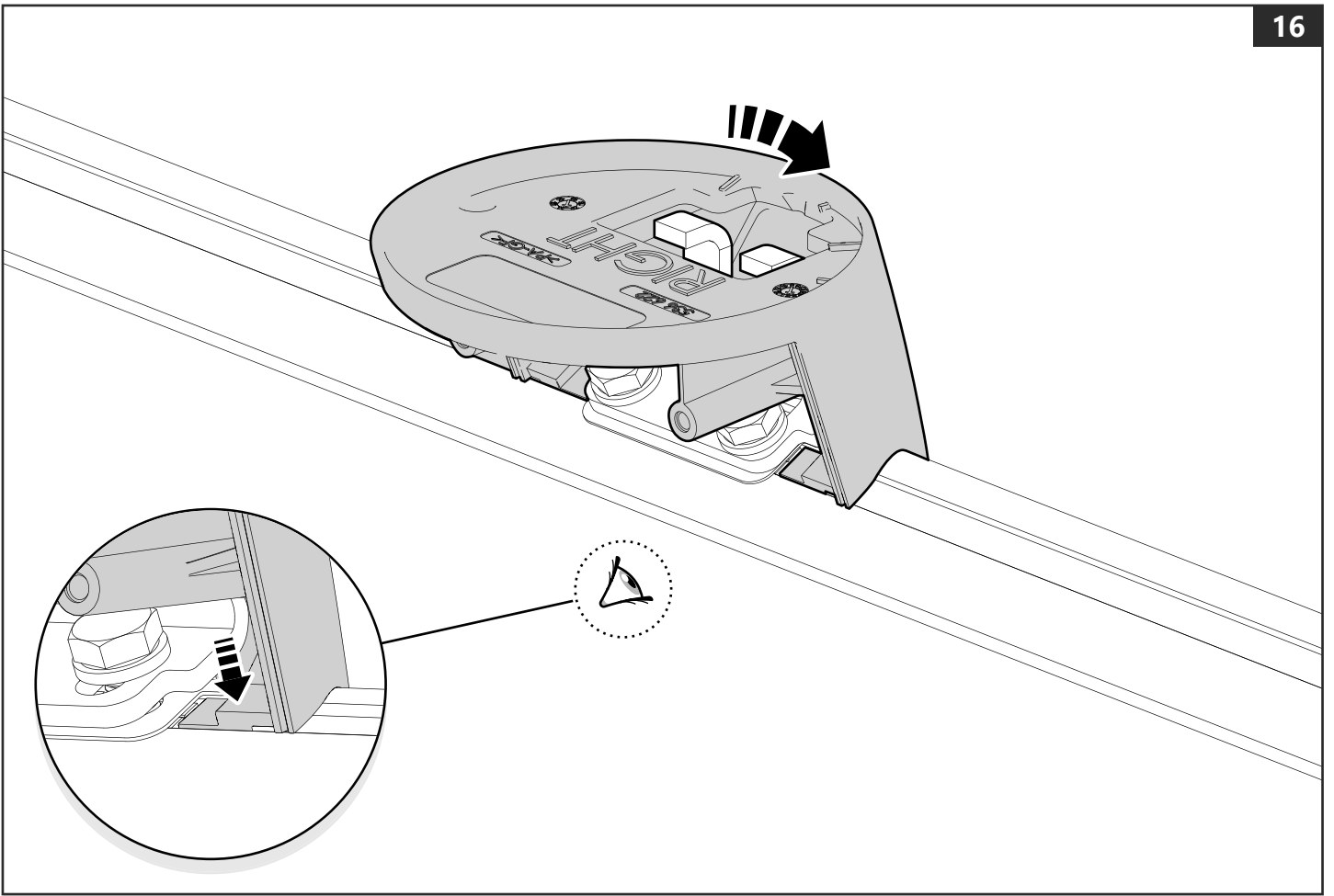


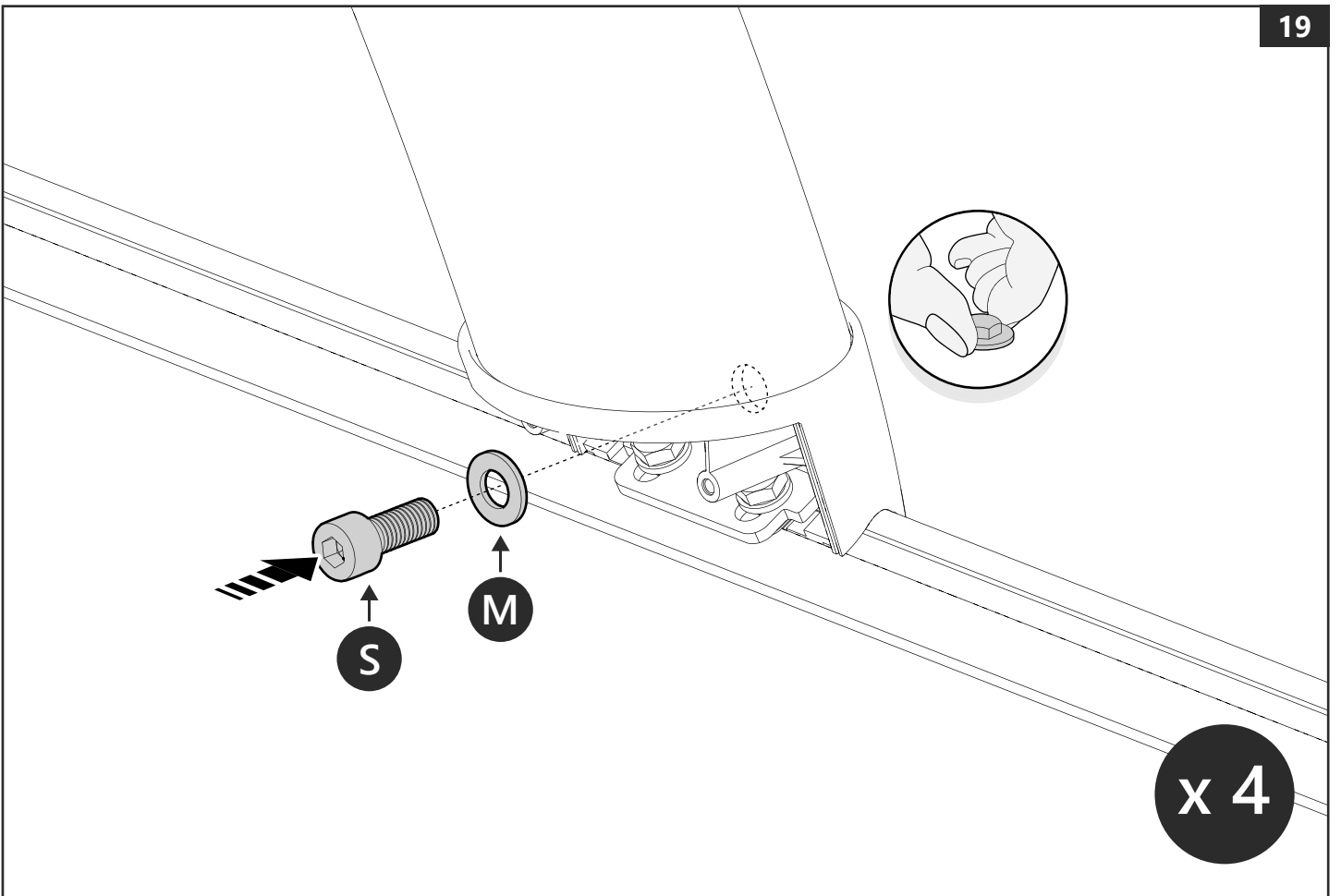
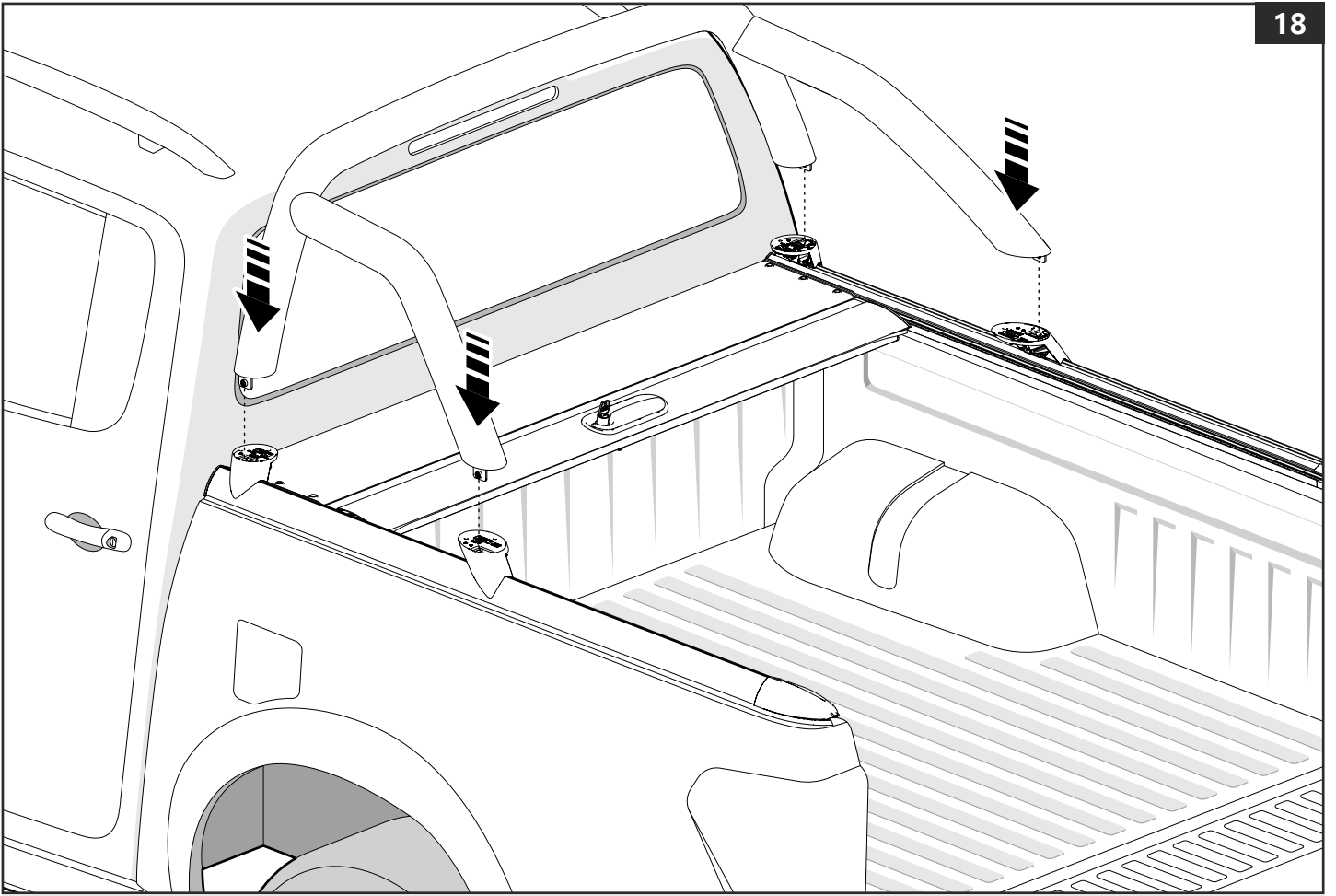
x 4

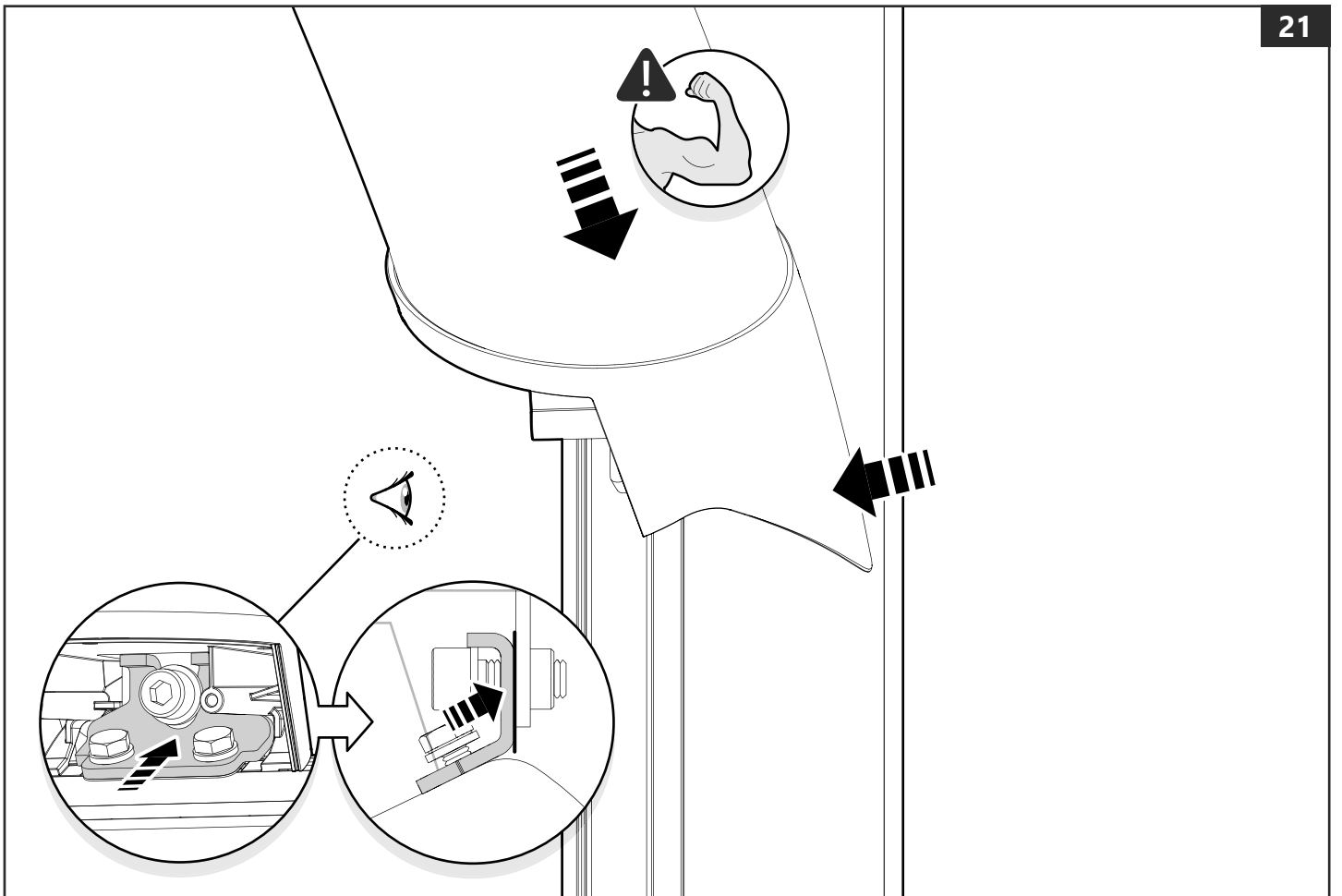
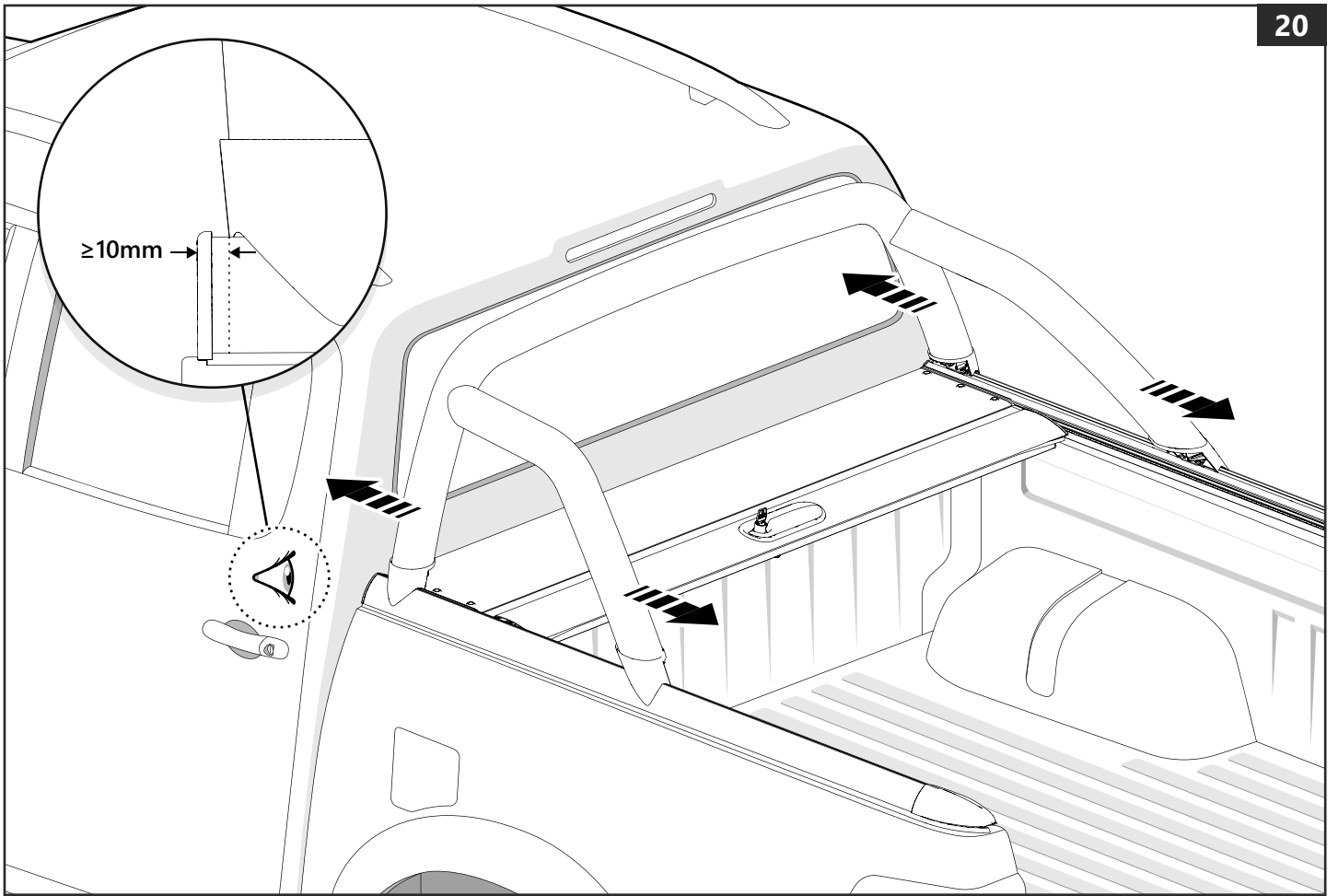


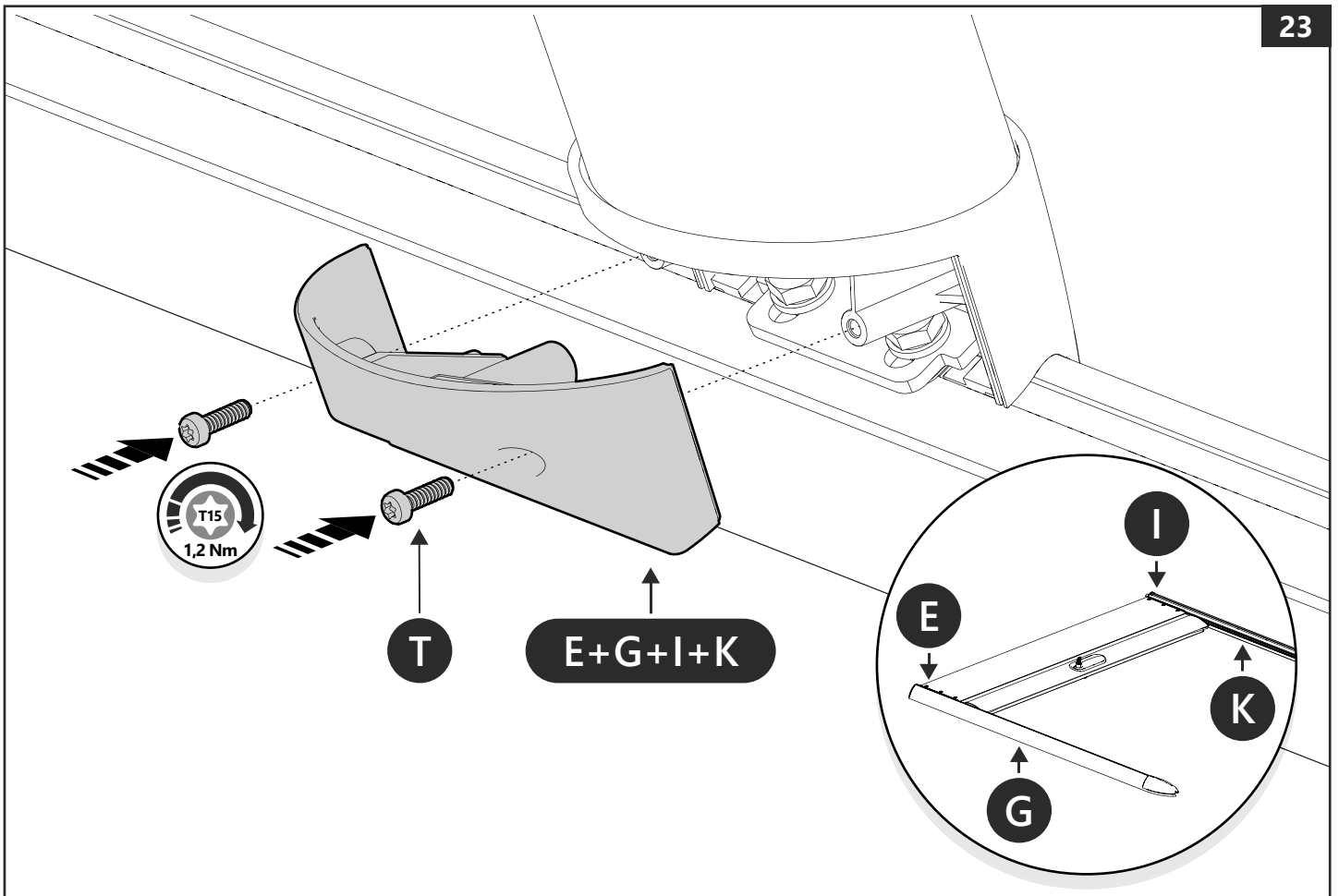
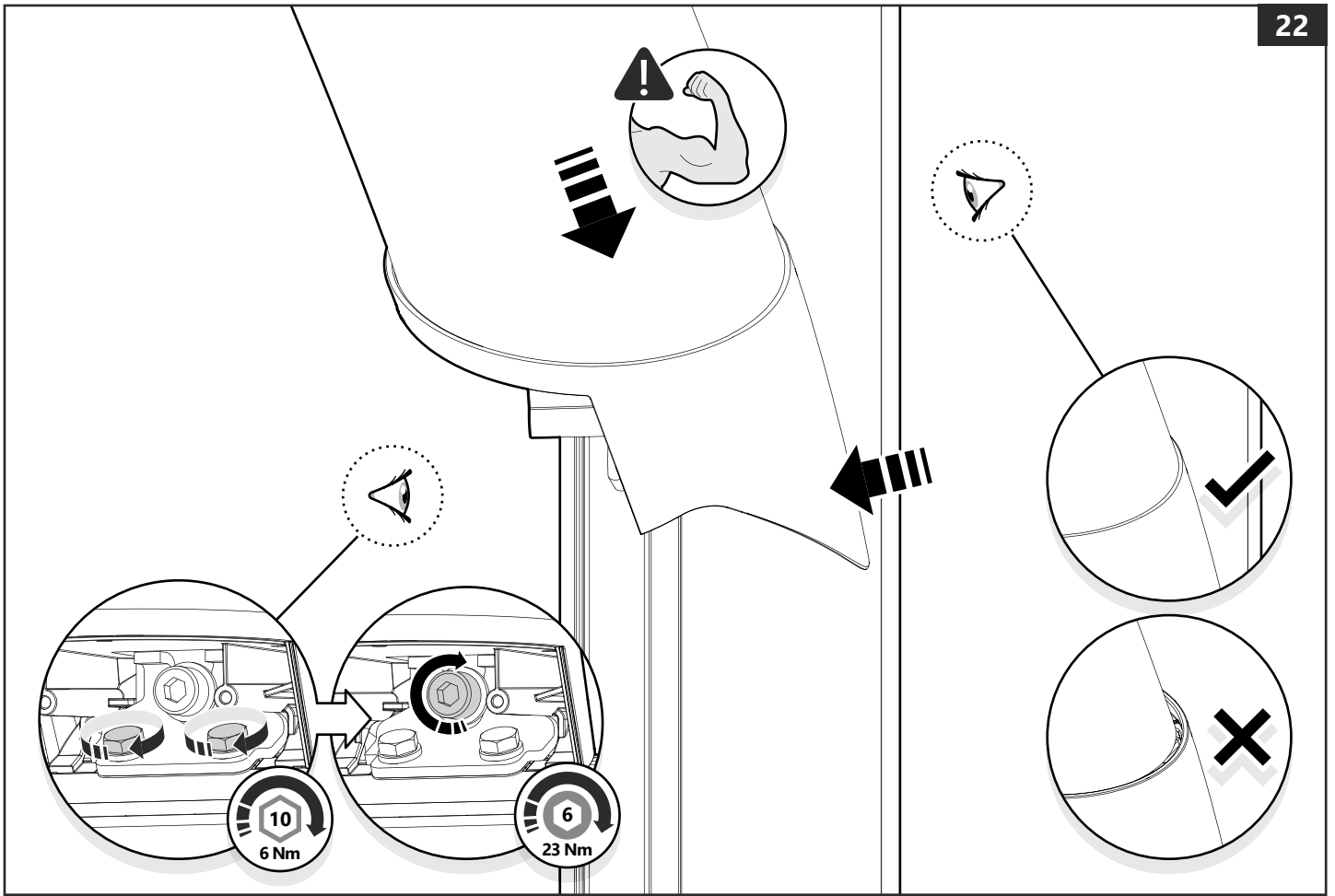
x 4













Customer Service +45 4810 2950 (08:00 - 16:00 CET)
Fax +45 4810 2960
Support info@mountaintop.dk
Website www.mountaintop.dk
Address Pedersholmparken 10, 3600 Frederikssund, Denmark

PART NUMBER(S)	MODEL / YEAR	CAB TYPE(S)	INSTALLATION TIME	WEIGHT
SB FO90/91	Ford 2011 →	Double / Super	1 hour(s)	10 Kg
SB IS90/91	Isuzu 2012 →	Double / Space	1 hour(s)	10 Kg
SB NI90/91	Nissan 2010 →	Double / King	1 hour(s)	10 Kg
SB TO80/81	Toyota 2005 - 2016	Double / Extra	1 hour(s)	10 Kg
SB TO90/91	Toyota 2016 →	Double / Extra	1 hour(s)	10 Kg
SB VW80	Volkswagen 2010 →	Double	1 hour(s)	10 Kg
SB RE90	Renault 2017 →	Double	1 hour(s)	10 Kg

GB Installation manual	S Monteringsanvisning	D Einbauanleitung
SF Asennusohje	E Instrucciones de montaje	CZ Návod k instalaci
F Notice de montage	H Szerelési utasítás	I Istruzioni de montaggio
PL Instrukcja montażu	P Instruções de instalação	GR Οδηγίες Εγκατάστασης
NL Installatie-instructies	RUS Инструкция по установке	DK Monteringsvejledning
TR Montaj Talimatı	N Monteringsveiledning	RO Instructiuni de instalare